

Type : **CT8 · CT10**

Part No.: **ENA4**□□□□□□

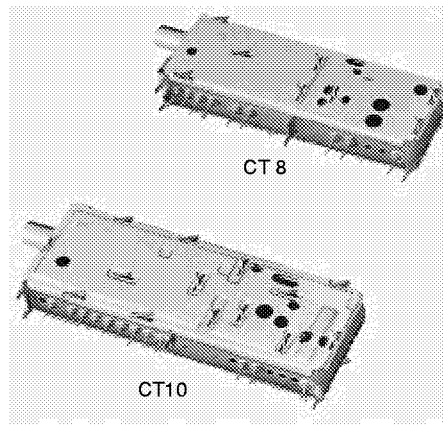
Compact double conversion tuner suited for high performance CATV converters

Features

- 82 channels (CT8) / 117 channels (CT10)
- Built - in prescaler circuit or PLL circuit
- Well - suited for high definition with highly pure oscillation circuit

Recommended Applications

- CATV Converter



■ Performance Specifications, Summary

	Type CT 8	Type CT10
1. Input Frequency	50 to 550 MHz *	54 to 750 MHz ***
2. Output Frequency	IF **	IF **
3. RF Input Impedance	75 Ω Unbalanced	75 Ω Unbalanced
4. Output Impedance	75 Ω Unbalanced	75 Ω Unbalanced
5. Input Return Loss	7 dB min. on turned channel	6 dB min. on tuned channel
6. Output Return Loss	12 dB min. between fv and fs	12 dB min. between fv and fs
7. Noise Figure	10 dB max.	10 dB max.
8. Input Signal Level	- 5 to + 15 dB mV	- 5 to + 15 dB mV
9. Gain	27 dB typ.	27 dB typ.
10. Prescaler Output Level	1.0 Vp-p min. (when dividing $\frac{1}{256}$)	0.5 Vp-p min. (when dividing $\frac{1}{256}$)
11. Supply Voltage	+ 9 V DC / + 12 V DC	+ 9 V DC / + 12 V DC
12. Tuning Voltage	+ 1 to + 26 V DC	+ 0.7 to + 28 V DC
13. AGC Characteristics	0 to - 20 dB	0 to - 20 dB
14. IM2	S / I : - 57 dB max.	S / I : - 57 dB max.

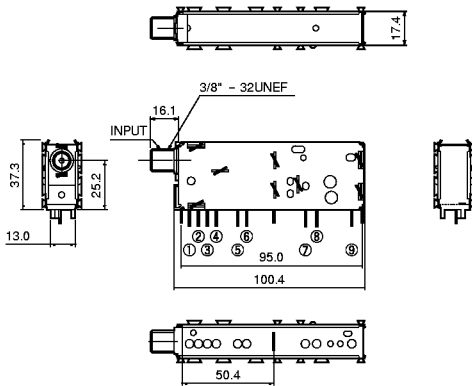
* Japan,U.S.A., Europe Type available

** Japan : 58.75 MHz,U.S.A. : 45.75 MHz, Europe : 38.9 MHz,

*** 860 MHz available

■ Dimensions in mm (not to scale)

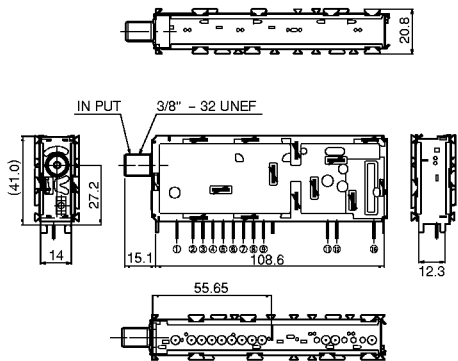
● CT8



■ TERMINAL SUPPLY VOLTAGE

No.	Terminal Name	Supply Voltage
1	UP STREAM	—
2	AGC	+ 0.5 to + 7 V
3	B _T	+ 0.7 to + 28 V
4	+ B	+ 9 V
5	PLL	—
6	B _F	+ 5 V
7	AFC	+ 4.5 V
8	+ B	+ 9 V
9	OUT PUT	—

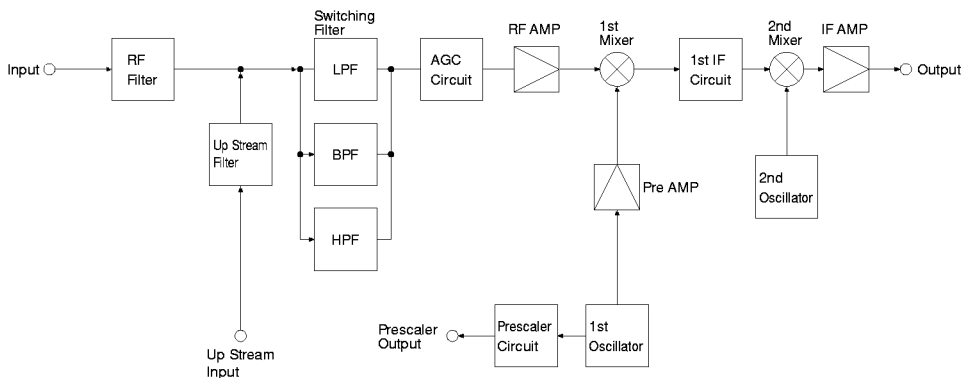
● CT10



■ TERMINAL SUPPLY VOLTAGE

No.	Terminal Name	Supply Voltage
1	UP STREAM	—
2	BS1	OPEN/GND
3	BS2	OPEN/GND
4	BS3	OPEN/GND
5	Prescaler out	—
6	B _F	+ 5.0 V
7	AGC	+ 0.7 to + 7.0 V
8	+ B	+ 9.0 V
9	B _T	+ 0.7 to + 28 V
11	OUTPUT	—
12	+ B	+ 9.0 V
16	AFC	+ 4.5 V

■ Block Diagram (CT10)



Design, Specifications are subject to change without notice. Ask factory for technical specifications before purchase and/or use.
Wh d b t f t i f thi d t l i f i d i t l f t h i l l t i i t h t f i l

Design and Specifications are subject to change without notice. Ask factory for technical specifications before purchase and/or use.
Whenever a doubt about safety issues arises from this product, please inform us immediately for technical consultation.