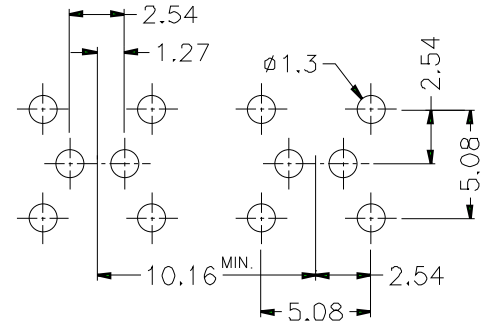
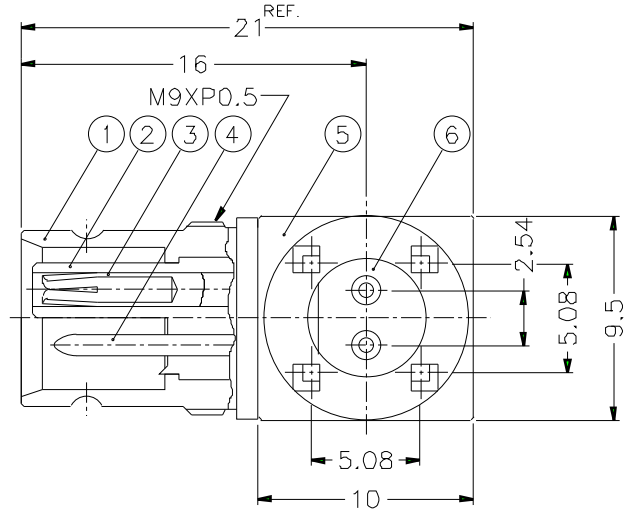
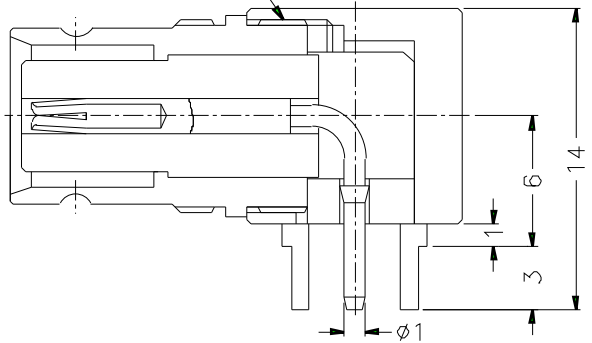


		REVISIONS	
ISS	ZONE	DESCRIPTION	PER REQUEST\DATE



PCB MOUNTING HOLE

SCREW TORQUE 0.8 TO 1.2 N-m
RELEASE TORQUE 0.8 N-m MIN.



- PACKAGING IN BAG WITH COMMERCIAL PART NUMBER AND DATE CODE

6	INSULATOR	NORYL	WHITE	1	
5	HOUSING	BRASS	GOLD	1	
4	CONTACT PIN	BRASS	GOLD	1	
3	CONTACT PIN	BECU	GOLD	1	
2	INSULATOR	NORYL	WHITE	1	
1	BODY	BRASS	GOLD	1	
NO.	DESCRIPTION	MATERIAL	FINISH	Q'TY	DRAWING NO.

DIMENSIONS ARE IN MILLIMETERS				PART NO. 156 335 21	
		APPROVED		DATE 10-11-01'	
		CHECKED		DATE 10-11-01'	
		DRAWN		DATE 10-11-01'	
SCALE	3/1	ISSUE	A	FILE NO.	

Amphenol

TITLE
1.6/5.6 R/A P.C. MOUNT RECEPT. JACK

DRAWING NO.

ITEM NO.

1	2	3	4	5	6	7	8
---	---	---	---	---	---	---	---