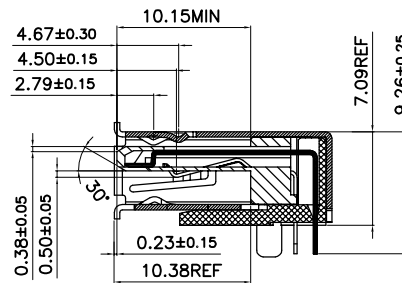
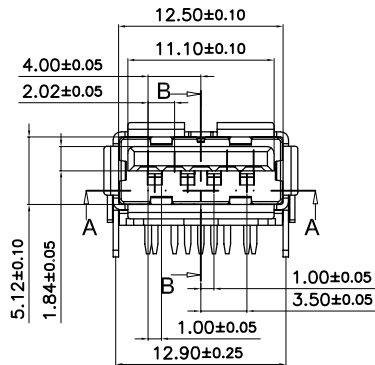
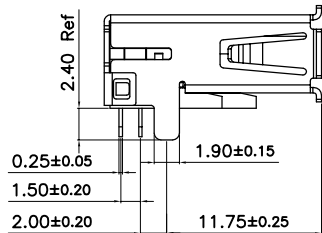
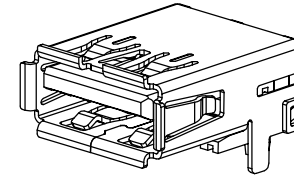


UNLESS OTHERWISE SPECIFIED TOLERANCE  
 mm: .0 = ±0.30  
 .00 = ±0.20  
 .000 = ±0.10  
 Ang: 0. = ±2°

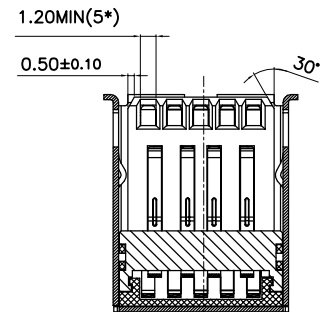
THIS IS A C.A.D. GENERATED DRAWING  
 DO NOT MAKE MANUAL REVISIONS TO MASTER.



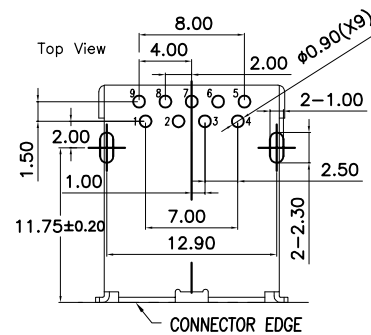
ISSUE NUMBER	
ORIGINAL	①
PART NUMBER TABLE ADDED	
N.SONDH	APR. 13/16 ②



SECTION B-B



SECTION A-A



PCB LAYOUT

SPECIFICATIONS & NOTES

- MATERIAL:  
 Housing: LCP, UL 94V-0, Color: Blue(300C).  
 Terminal: Copper Selectively Gold Plated on Mating Area, Tin on Tail over Nickel Underplating.  
 Shell: Steel, Nickel Plated.
- Voltage Rating: 250 VAC(RMS) Max.
- Current Rating: 1.8 Ampere for Pin1&Pin4.  
 0.25 Ampere other Contacts.
- Contact Resistance: 30 Milliohms Max for Pin1&Pin4.  
 50 Milliohms Max other Contacts.
- Insulation Resistance: 100 Megohms Min.
- Dielectric Withstanding Voltage: 500V AC(RMS)
- Total Mating Force: 35 Newtoms Max.
- Total Unmating Force: 10 Newtoms Min.
- Operating Temperature: -55°C to +85°C

PART NO.	GOLD PLATING
690-009-229-835	GOLD FLASH PLATING
690-009-329-835	10u" OF GOLD
690-009-529-835	15u" OF GOLD
690-009-629-835	30u" OF GOLD



THIS SERIES FULLY CONFORMS TO THE EUROPEAN UNION DIRECTIVES 2011/65/EU FOR RoHS COMPLIANCY.

# USB-3.0 TYPE A R/A DIP



EDAC INC  
 TORONTO, ONTARIO  
 CANADA

YOUR CONNECTION TO QUALITY & SERVICE

THESE DRAWINGS AND SPECIFICATIONS ARE THE PROPERTY OF EDAC INC. AND SHALL NOT BE REPRODUCED, OR COPIED OR USED AS THE BASIS FOR THE MANUFACTURE OR SALE OF APPARATUS WITHOUT WRITTEN PERMISSION.

ACAD REFERENCE NO.: 690-009-529-835

DRAWN: N.SONDH

DATE: MAR. 18/2016

CHECKED:

DATE:

PART NUMBER

See Part Number Table

SHEET 1 OF 1

DRAWING NUMBER

690-009-529-835

ISSUE

2