



PART NO. : TG1G-E005J24LF

DESIGNED FOR DUAL-PORT FAST ETHERNET OR SINGLE-PORT GIGABIT ETHERNET APPLICATIONS

LEAD-FREE/RoHS COMPLIANT

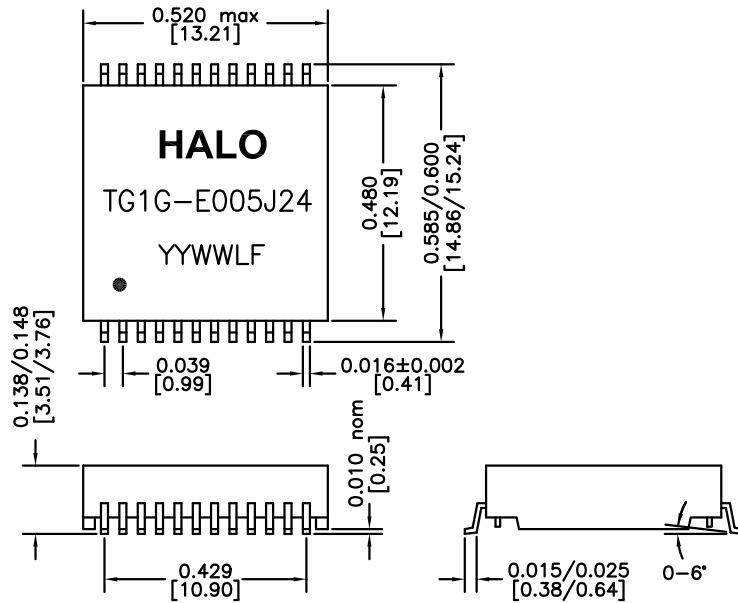
COMPATIBLE TO LEAD-FREE SOLDERING PROCESS CONDITION PER IPC/JEDEC J-STD-020C

EXTENDED OPERATING TEMPERATURE -40/+85°C *

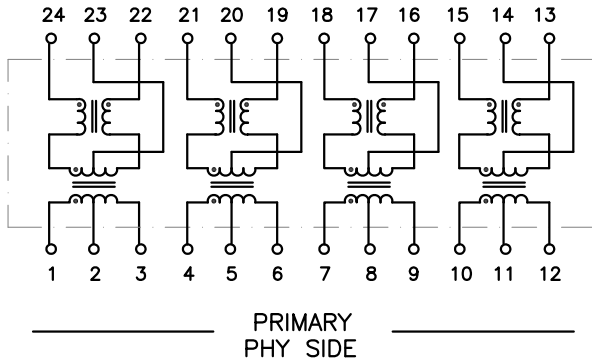
ELECTRICAL SPECIFICATIONS @ 25°C

URNS RATIO	1CT:1CT ±3%
OCL (100KHz,0.1V,8mA)	350µH min
DCR (PRI)	1.3Ω max
LL (1MHz,0.1V)	0.4µH max
Cw/w	30pF max
INSERTION LOSS	
1-100MHz	-1.1dB max
RETURN LOSS	
0.5-40MHz	-18dB min
60MHz	-14dB min
80MHz	-12dB min
100MHz	-10dB min
CROSSTALK 1-100MHz	-40dB typ
CMR 1-100MHz	-40dB typ
ISOLATION	1,500Vrms

* TRANSFORMER MODULE WILL FUNCTIONAL WORK FROM -55°C TO +85°C WITH MINIMUM 120uH OCL



DIMENSIONS: Inch [mm]
CO-PLANARITY: 0.004 [0.10]
TOLERANCES: ±0.005 INCH IF NOT SPECIFIED

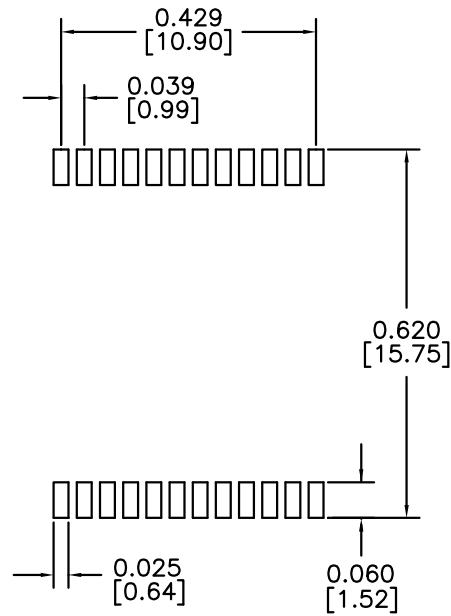


HALO/PBL

CALIFORNIA, USA
KOWLOON, HONG KONG
SINGAPORE

TITLE	ISOLATION MODULE		SIGNATURES	DATE	REV.	DESC.	DATE	
	FOR	10/100/1000BASE-T	DRAWN	LI ZHI ZHONG	11/16/15	A	FIRST ISSUE	11/16/15
	PART NO.	TG1G-E005J24LF	CHECKED	LEI KEONG	12/19/17	B	PROD. RELEASE	2/1/16
	SCALE	NONE	APPROVED	PETER LU	12/19/17	C	ADD TEMP. NOTE	12/19/17
	PAGE	1 OF 2	FILE	E005J24LF.DWG				





RECOMMENDED PAD DIMENSIONS
DIMENSIONS: Inch [mm]

HALO/PBL	TITLE ISOLATION MODULE		SIGNATURES		DATE	REV.	DESC.	DATE
	FOR 10/100/1000BASE-T		DRAWN LI ZHI ZHONG		11/16/15	A	FIRST ISSUE	11/16/15
	PART NO. TG1G-E005J24LF		CHECKED LEI KEONG		12/19/17	B	PROD. RELEASE	2/1/16
	SCALE NONE		PAGE 2 OF 2		APPROVED PETER LU	12/19/17	C	ADD TEMP. NOTE
CALIFORNIA, USA KOWLOON, HONG KONG SINGAPORE				FILE E005J24LF.DWG				

Mouser Electronics

Authorized Distributor

Click to View Pricing, Inventory, Delivery & Lifecycle Information:

[HALO Electronics:](#)

[TG1G-E005J24LF](#)