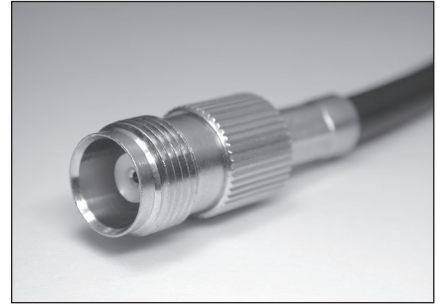
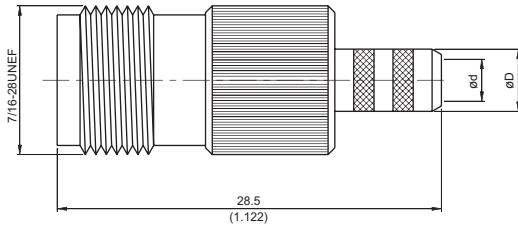
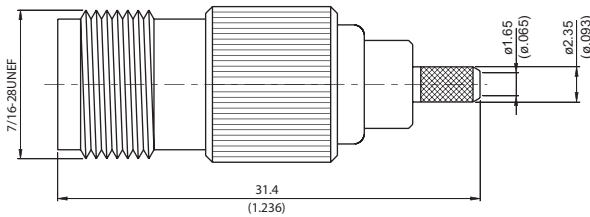


► **TNC JACK CRIMP**



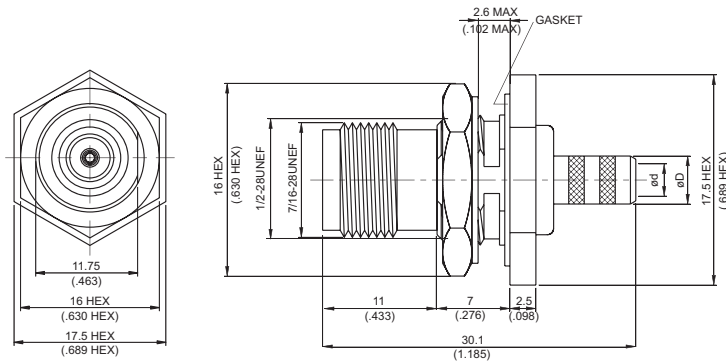
Part Number	Measurements	Weight	Material	Suitable Cables	Remarks
TNC8100-0058	ød=3.1(.122) øD=4.4(.173)	9.90g	C2	RG58, JBY195	
TNC9100-0058	ød=3.1(.122) øD=4.4(.173)	9.90g	A2	RG58, JBY195	Reverse polarity Jack
TNC8100-0059	ød=3.9(.154) øD=5.6(.220)	8.4g	C2	RG59	Impedance=75ohm
TNC8100-0142	ød=3.1(.122) øD=4.4(.173)	10.33g	C2	RG55, RG142, RG142-E, RG400	
TNC8100-0223	ød=3.1(.122) øD=4.4(.173)		C2	RG223	
TNC9100-0142	ød=3.1(.122) øD=4.4(.173)	10.26g	A2	RG55, RG142, RG142-E, RG400	Reverse polarity Jack
TNC9100-0223	ød=3.1(.122) øD=4.4(.173)	10.26g	A2	RG223	Reverse polarity Jack
TNC8100-03C2	ød=3.3(.130) øD=5.6(.220)	10g	C2	3C-2W	Impedance=75ohm

► **TNC JACK CRIMP**



Part Number	Weight	Material	Suitable Cables	Remarks
TNC8100-0179	10.88g	C2	RG179, RG179-FEP	Impedance=75ohm
TNC8100-0316	11.06g	C2	RG174, RG188, RG316, RG316-E, RG316-FEP, JBY100	
TNC9100-0316	11.06g	A2	RG174, RG188, RG316, RG316-E, RG316-FEP, JBY100	Reverse Polarity Jack
TNC8100D-0316	11.77g	C2	RD316, RG316D-E, RD316-FEP	D=Equivalent cable RD 316

► **TNC JACK CRIMP FOR BULKHEAD**



Part Number	REMARKS	M.H.	Weight	Material	Suitable Cables	Remarks
TNC8105-0058	ød=3.1 (.122) øD=4.4 (.173)	5	17.18g	C2	RG58, JBY195	
TNC8105-0059	ød=3.9 (.154) øD=5.6 (.220)	5	16.72g	C2	RG59	Impedance=75ohm
TNC8105-0142	ød=3.1 (.122) øD=4.4 (.173)	5	16.82g	C2	RG55, RG142, RG400	
TNC8105-0223	ød=3.1 (.122) øD=4.4 (.173)	5	16.82g	C2	RG223	
TNC8105-03C2	ød=3.3 (.130) øD=5.6 (.220)	5	14.42g	C2	3C-2W	Impedance=75ohm
TNC9105-0058	ød=3.1 (.122) øD=4.4 (.173)	5	16.39g	A2	RG58, JBY195	Reverse Polarity Jack
TNC9105-0059	ød=3.9 (.154) øD=5.6 (.220)	5		A2	RG59	Impedance=75ohm; Reverse Polarity Jack
TNC9105-0142	ød=3.1 (.122) øD=4.4 (.173)	5	16.4g	A2	RG55, RG142, RG400	Reverse Polarity Jack