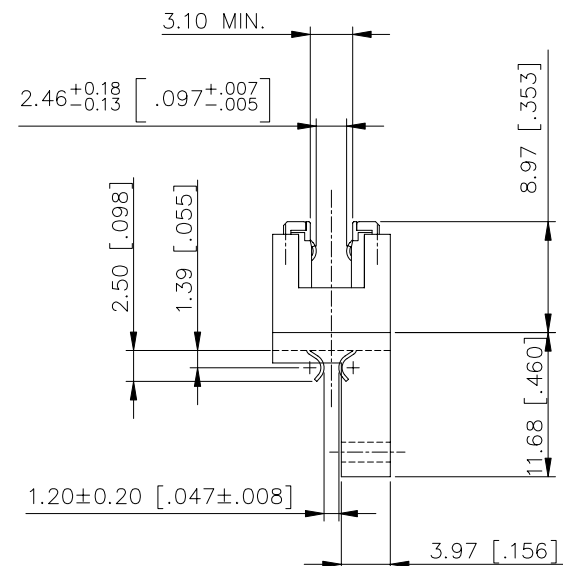
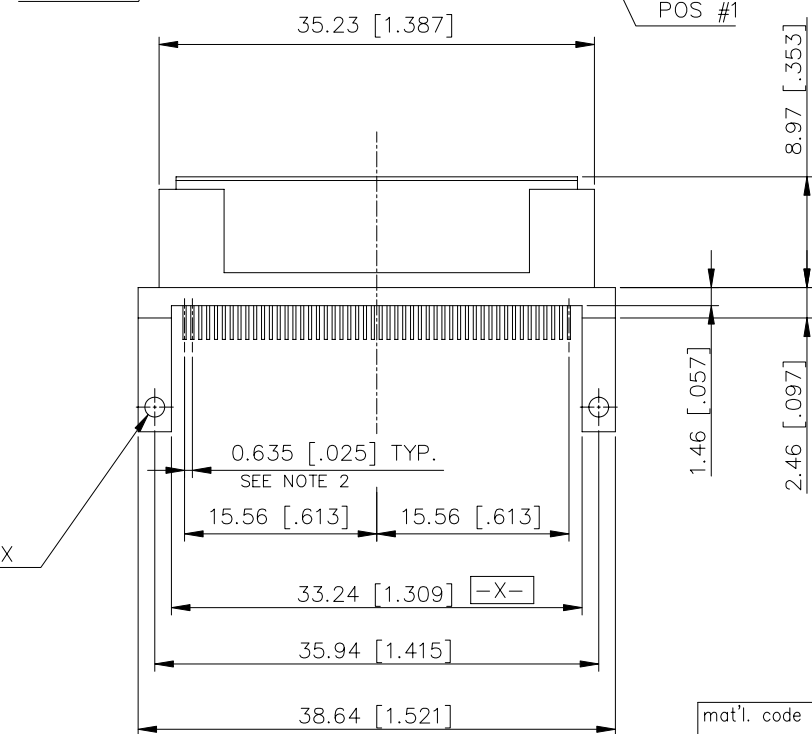
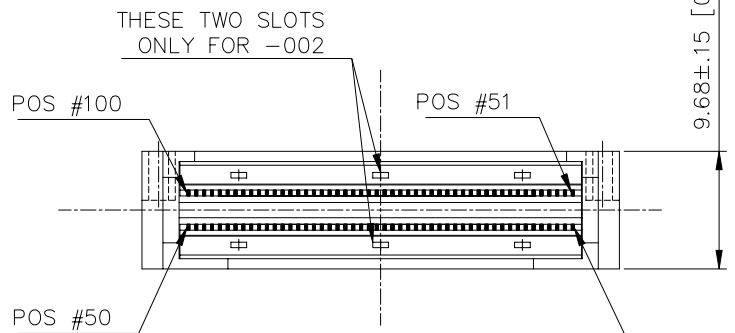


PRODUCT NO.
52459-001/001LF
52459-002/002LF



M1.6X0.35P 2X

NOTE: 1. PIN 1,3,4,5; 51,53,54,55 REMOVED
(NOT SHOWN IN THIS DRAWING)

2. SOLDER TAIL TO BE $\phi 0.12$ -X-
相對兩排針與針之間錯位不得超過0.12mm

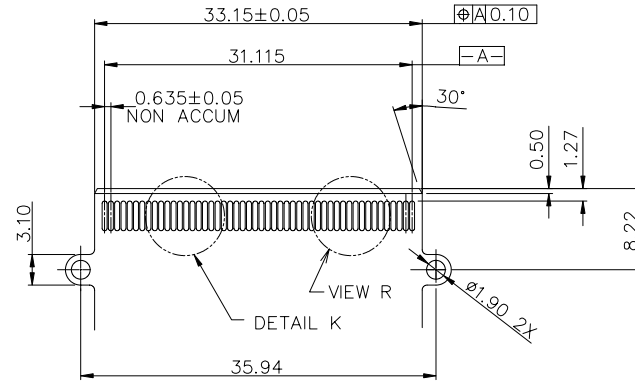
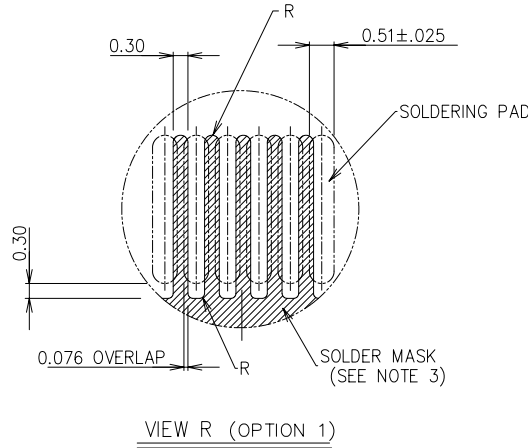
mat'l. code		tolerances unless otherwise specified			CUSTOMER COPY		 www.fciconnect.com	
ltr	ecn no	dr	date	linear	.X ± 0.3	projection	title	MICROPAX 100P STRADDLE RECEPTACLE
A	T90337	TAI	10/22/99		.XX ± 0.13			
B	T00044	TAI	02/18/00		.XXX ± 0.05			
C	T00121	PP	04/13/00	angles	±	MM/INCH	product family	MICROPAX
D	T00155	TAI	05/30/00	dr	KENNY TAI			
E	T00320	TAI	11/02/00	enr	KENNY TAI	10/22/99	size	dwg no
F	N05-0104	PH	04/08/05	chr	KENNY TAI	10/22/99	scale	52459
G	N05-0271	PH	10/07/05	appd	PAUL WANG	10/22/99		
sheet	revision	G	G	D				1 of 3
index	sheet	1	2	3				

PDM! Rev:G

STATUS Released

Printed: Jul 22, 2010

PRODUCT NO.
52459-001/001LF
52459-002/002LF



NOTE :

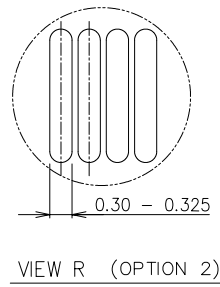
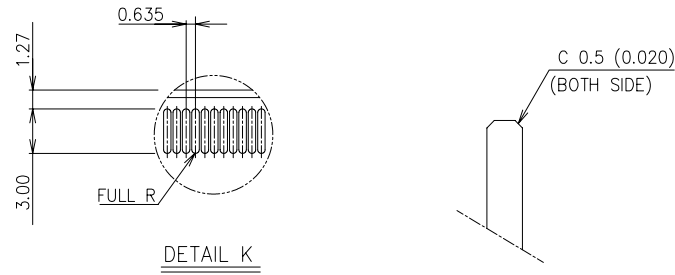
- 1.MATERIAL :
 -METAL FRAME : ZINC ALLOY#3
 -INSULATOR : HIGH TEMPERATURE ENGINEERING PLASTIC
 -CONTACT : BeCu-THK .254 (.0100)

2.PLATING :

- .CONTACT :
 -SOLDER TAILS : 150μ"/3.81μ SNPB FOR 52459-001/002
 -SOLDER TAILS : 100μ"/2.54μ SN FOR 52459-001LF/002LF
 -MATING END : UNDERPLATING NICKEL 50μ"
 -OVERALL GXT IN CONTACT AREA 30μ"/.76μm
 .METAL FRAME : NICKEL OVER COPPER
 -UNDERPLATING : Cu 100μ" MIN
 -FINISH : NICKEL 50μ" MIN

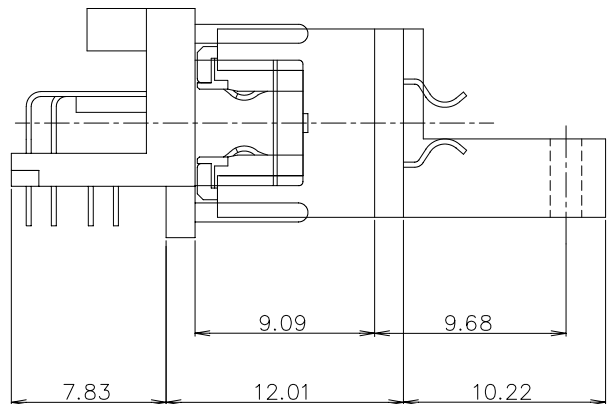
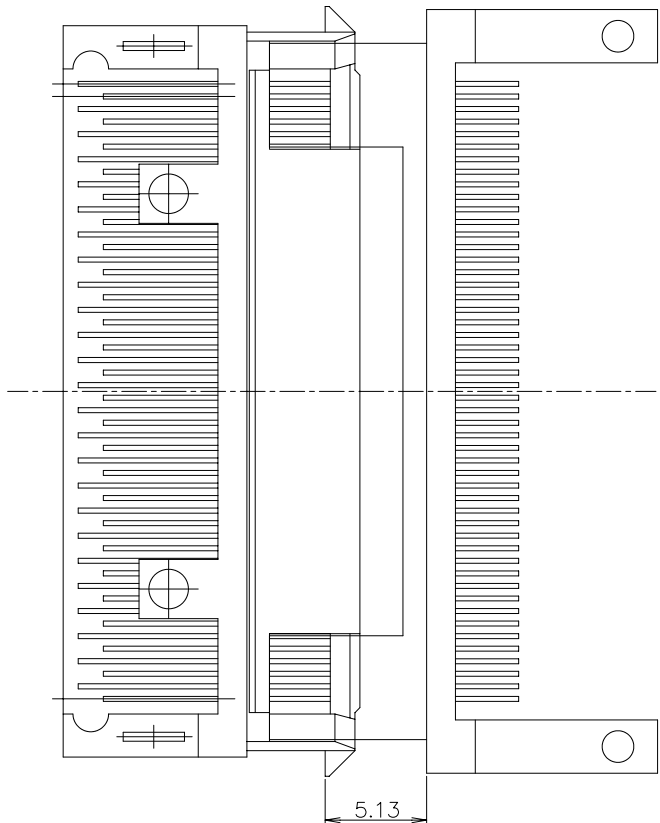
3.MUST USE DRY FILM SOLDER MASK AS A SOLDER DAM TO PREVENT SOLDER TAILS FROM BRIDGING


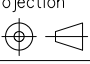
4. P/N'S WITH SUFFIX "LF" ARE LEAD FREE P/N'S
 5. PACKING STANDARD GS-14-920 WILL BE APPLIED FOR LEAD FREE P/N'S
 6. FOR LEAD FREE P/N, THE PRODUCT MEET EUROPEAN UNION DIRECTIVES AND OTHER COUNTRY REGULATION AS DESCRIBED IN GS-22-008
 7. FOR LEAD FREE P/N, THE HOUSING WILL WITHSTAND EXPOSURE TO 260°C PEAK TEMPERATURE FOR 40 SECONDS IN A CONVECTION, INFRO-RED OR VAPOR PHASE REFLOW OVEN.
 8. THE PRODUCT CAN MEET 5000 CYCLES DURABILITY. PRIOR TO MATING, PLUG SHALL BE LUBRICATED WITH 10% (BY WEIGHT) SOLUTION OF NYE 176 OIL AND 111 TRICHLOROETHANE



mat'l. code				tolerances unless otherwise specified				CUSTOMER COPY		 www.fciconnect.com	
ltr	ecn no	dr	date	linear	.X ± 0.3		projection		title		
G					.XX ± 0.13				MICROPAX 100P		
					.XXX ± 0.05				STRADDLE RECEPTACLE		
				angles	±				product family		code
		dr	KENNY TAI	10/22/99	MM/INCH				MICROPAX		
		enr	KENNY TAI	10/22/99	← →				size		dwg no
		chr	KENNY TAI	10/22/99	scale				A3		52459
		appd	PAUL WANG	10/22/99	---					2 of	
sheet	revision										
index	sheet										

PRODUCT NO.
52459-001
52459-002



mat'l. code				tolerances unless otherwise specified			CUSTOMER COPY		 www.fciconnect.com		
ltr	ecn no	dr	date	linear	projection	title					
D						MICROPAX 100P ASS'Y					
				angles		product family		code			
				dr		KENNY TAI	10/22/99	MM/INCH	MICROPAX		
				enr	KENNY TAI	10/22/99	scale	size		sheet	
				chr	KENNY TAI	10/22/99		4 : 1	A3		3 of
				appd	PAUL WANG	10/22/99			52459		
sheet	revision										
index	sheet										

Tous droits r serv s. Reproduction ou communication e des tiers int sans autorisation  crite du propri taire.
Property   BERG ELECTRONICS.
Droits de reproduction BERG ELECTRONICS BV

All rights strictly reserved. Reproduction or issue to third parties in any form without written permission is not permitted without written authority from the proprietor.
Property   BERG ELECTRONICS.
Copyright BERG ELECTRONICS BV