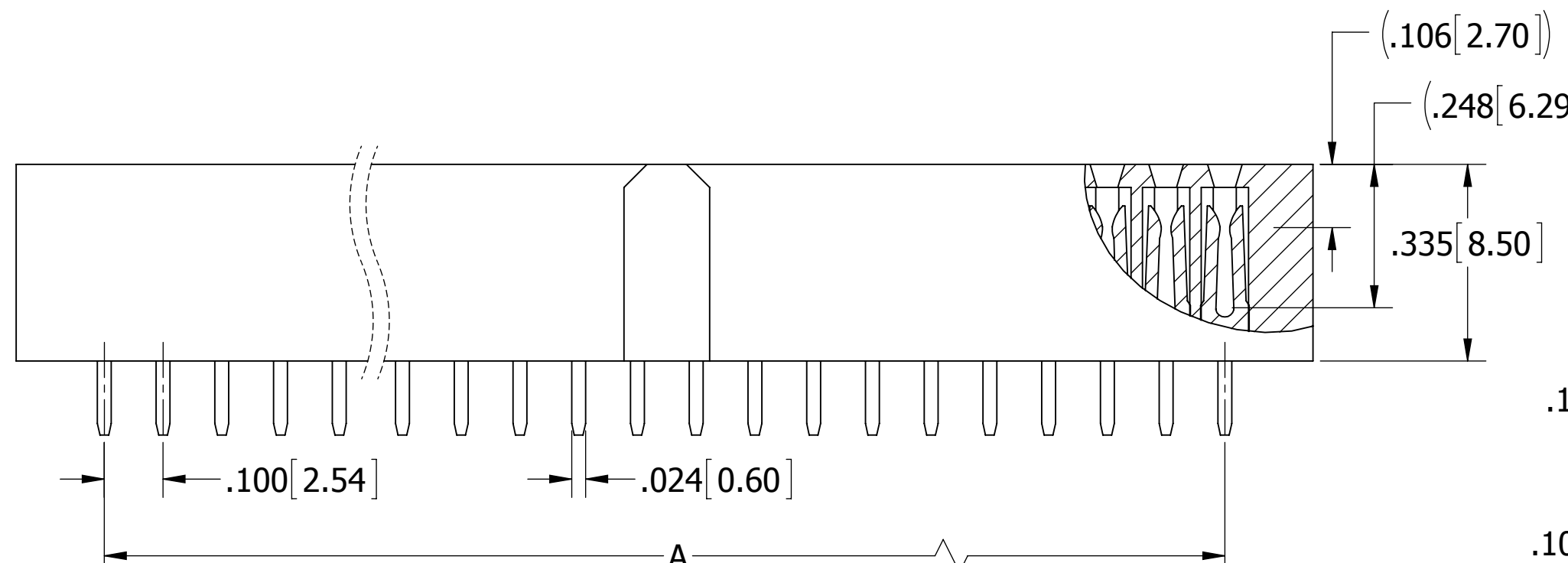
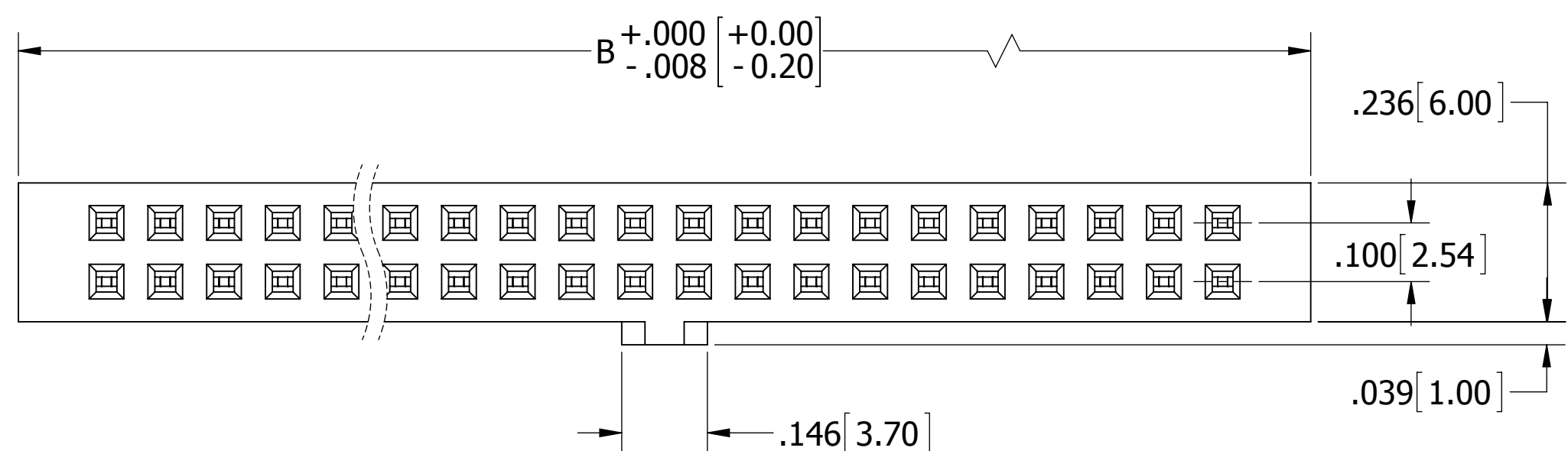
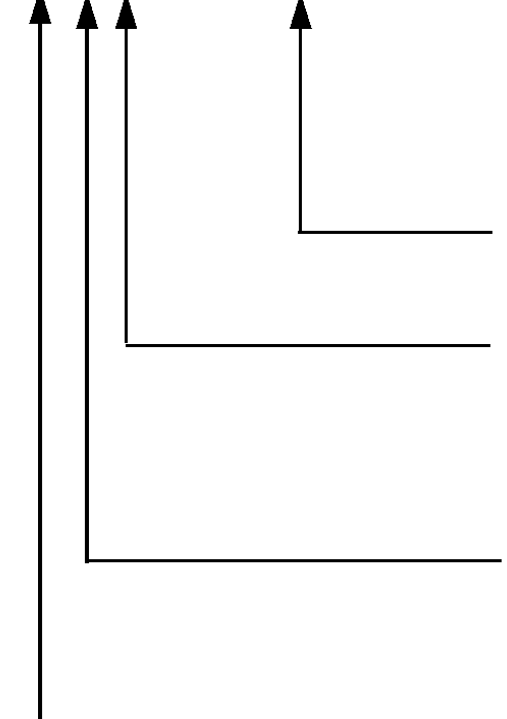


REVISIONS				
REV.	ECO. NO	DESCRIPTION	DATE	BY
F	2915	ADD 'N' MATERIAL OPTION & UPDATE NOTES	2/6/2014	NC
G	2835	UPGRADE INSULATOR MATERIAL NYLON 9T(WAS NYLON 6T)	04/07/2014	LH
H	3004	UPDATE TOLERANCE FOR 'B' DIMENSION	06/27/2014	LH
J	3219	UPDATE INSULATOR COLOR OPTIONS, ADD ROW SPACING DIM	05/12/2015	LH/MG

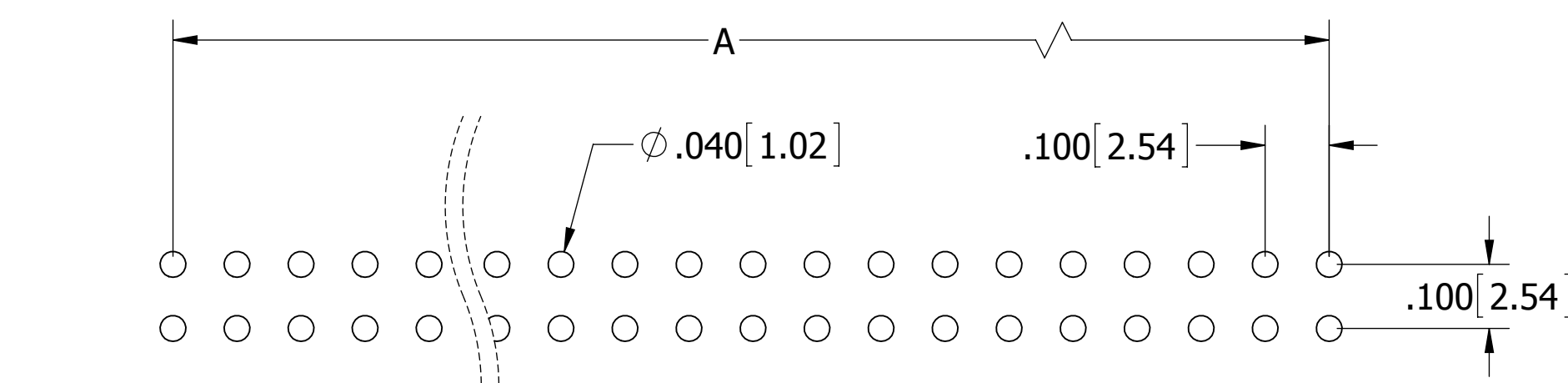


**PART NUMBER CODING**

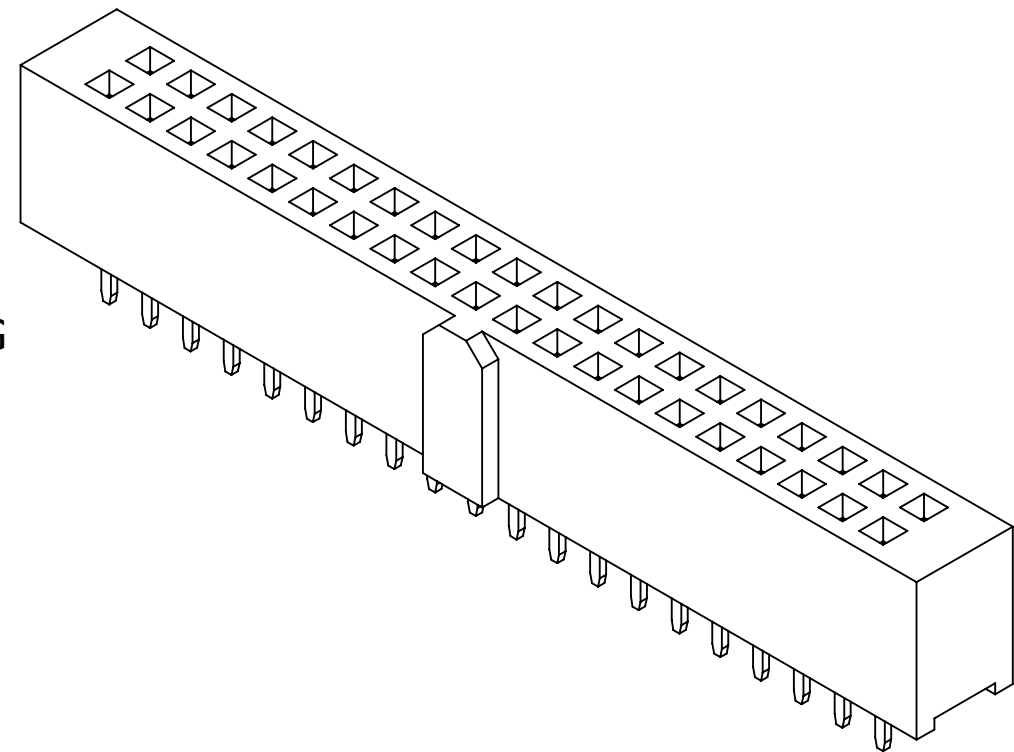
SFH11-\_\_C-D\_\_-ST-BK



- NUMBER OF POSITIONS**  
(CONTACTS PER ROW)
- PLATING**  
(.000030"~.000050" NICKEL UNDERPLATED)  
P = GOLD FLASH OVERALL  
E = .000100" PURE TIN, MATTE, OVERALL
- CONTACT MATERIAL**  
P = PHOSPHOR BRONZE  
B = BRASS
- INSULATOR MATERIAL**  
P = PBT  
PROCESSING TEMP = WAVE ONLY  
N = NYLON 9T  
PROCESSING TEMP = 230°C MAX FOR 60 SEC  
(260°C MAX FOR 10 SEC)



**RECOMMENDED PCB LAYOUT**



- NOTES:**
- INSULATOR MATERIAL: SEE PART NUMBER CODING
  - CONTACT MATERIAL: SEE PART NUMBER CODING
  - PLATING: SEE PART NUMBER CODING
  - CONTACT RESISTANCE: 20m OHMS MAX.
  - OPERATING TEMPERATURE: -40°C TO +105°C
  - UL FLAMMABILITY RATING: 94V-0
  - CURRENT RATING: 3 AMPS
  - INSULATOR RESISTANCE: 5000M OHMS MIN.
  - DIELECTRIC WITHSTANDING: 1000 VAC
  - PROCESSING TEMP.: SEE PART NUMBER CODING
  - MATES WITH SBH11 SERIES
  - FOR PCB CONNECTOR



PART NUMBER	POSITIONS/ CONTACTS	A		B	
		INCH	MM	INCH	MM
SFH11-__C-D03-ST-BK	03/06	0.200	5.08	0.500	12.70
SFH11-__C-D04-ST-BK	04/08	0.300	7.62	0.600	15.24
SFH11-__C-D05-ST-BK	05/10	0.400	10.16	0.700	17.78
SFH11-__C-D06-ST-BK	06/12	0.500	12.70	0.800	20.32
SFH11-__C-D07-ST-BK	07/14	0.600	15.24	0.900	22.86
SFH11-__C-D08-ST-BK	08/16	0.700	17.78	1.000	25.40
SFH11-__C-D10-ST-BK	10/20	0.900	22.86	1.200	30.48
SFH11-__C-D12-ST-BK	12/24	1.100	27.94	1.400	35.56
SFH11-__C-D13-ST-BK	13/26	1.200	30.48	1.500	38.10
SFH11-__C-D15-ST-BK	15/30	1.400	35.56	1.700	43.18
SFH11-__C-D17-ST-BK	17/34	1.600	40.64	1.900	48.26
SFH11-__C-D20-ST-BK	20/40	1.900	48.26	2.200	55.88
SFH11-__C-D25-ST-BK	25/50	2.400	60.96	2.700	68.58
SFH11-__C-D30-ST-BK	30/60	2.900	73.66	3.200	81.28
SFH11-__C-D32-ST-BK	32/64	3.100	78.74	3.400	86.36
SFH11-__C-D33-ST-BK	33/66	3.200	81.28	3.500	88.90
SFH11-__C-D34-ST-BK	34/68	3.300	83.82	3.600	91.44
SFH11-__C-D35-ST-BK	35/70	3.400	86.36	3.700	93.98
SFH11-__C-D36-ST-BK	36/72	3.500	88.90	3.800	96.52

UNLESS OTHERWISE SPECIFIED:  
DIMENSIONS ARE IN INCHES (MM)

TOLERANCES:  
ANGULAR:  
DECIMALS  
.XX = ± .012 [3]  
.XXX = ± .008 [20]  
.XXXX = ± .0040 [100]

DRAWN: 11/3/2008 JH

DATE: 11/3/2008

NAME: JH

**SULLINS**  
CONNECTOR SOLUTIONS

TITLE: HEADER FEMALE, .100[2.54] CC, ST

PART NUMBER: SFH11-\_\_C-D\_\_-ST-BK

SIZE: C CAGE CODE: 54453 DWG. NO.: 11160 REV: J

SCALE: 2:1 SHEET 1 OF 1