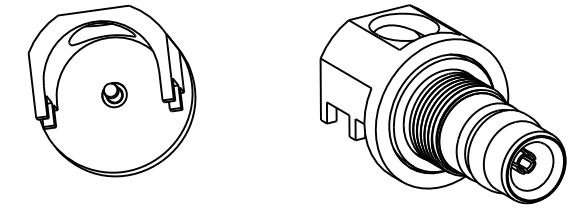
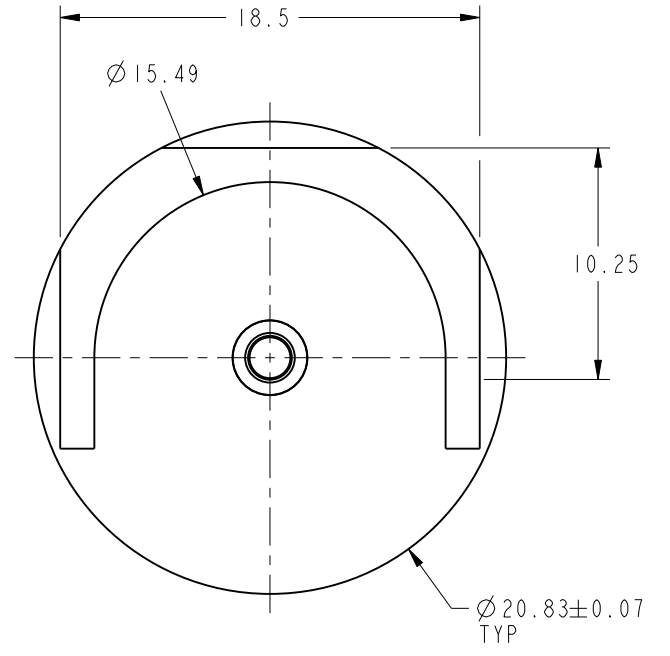
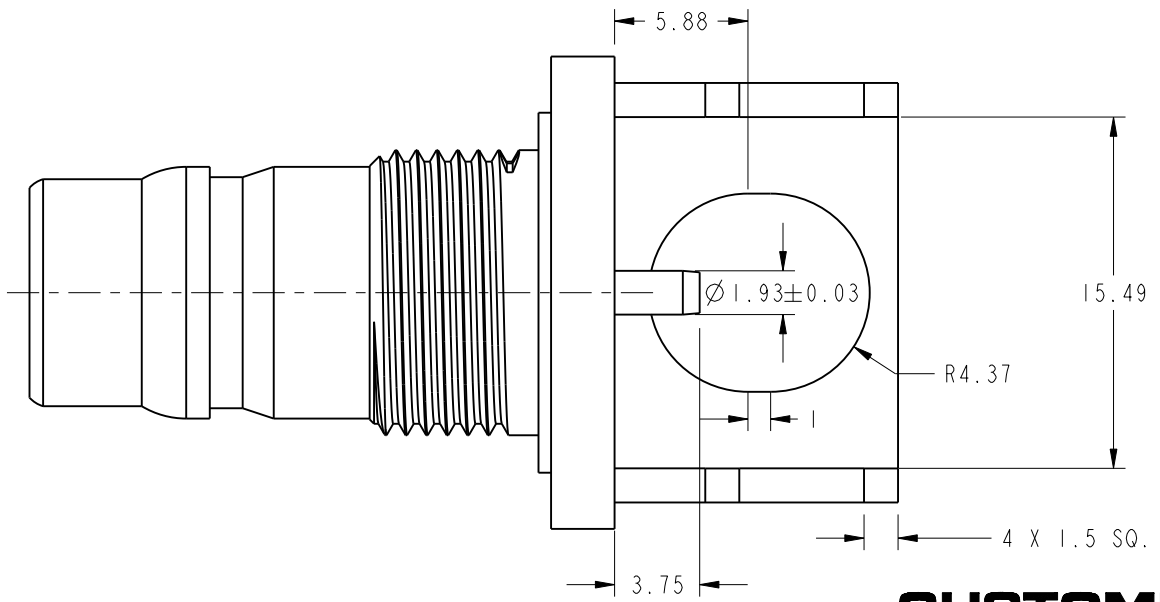
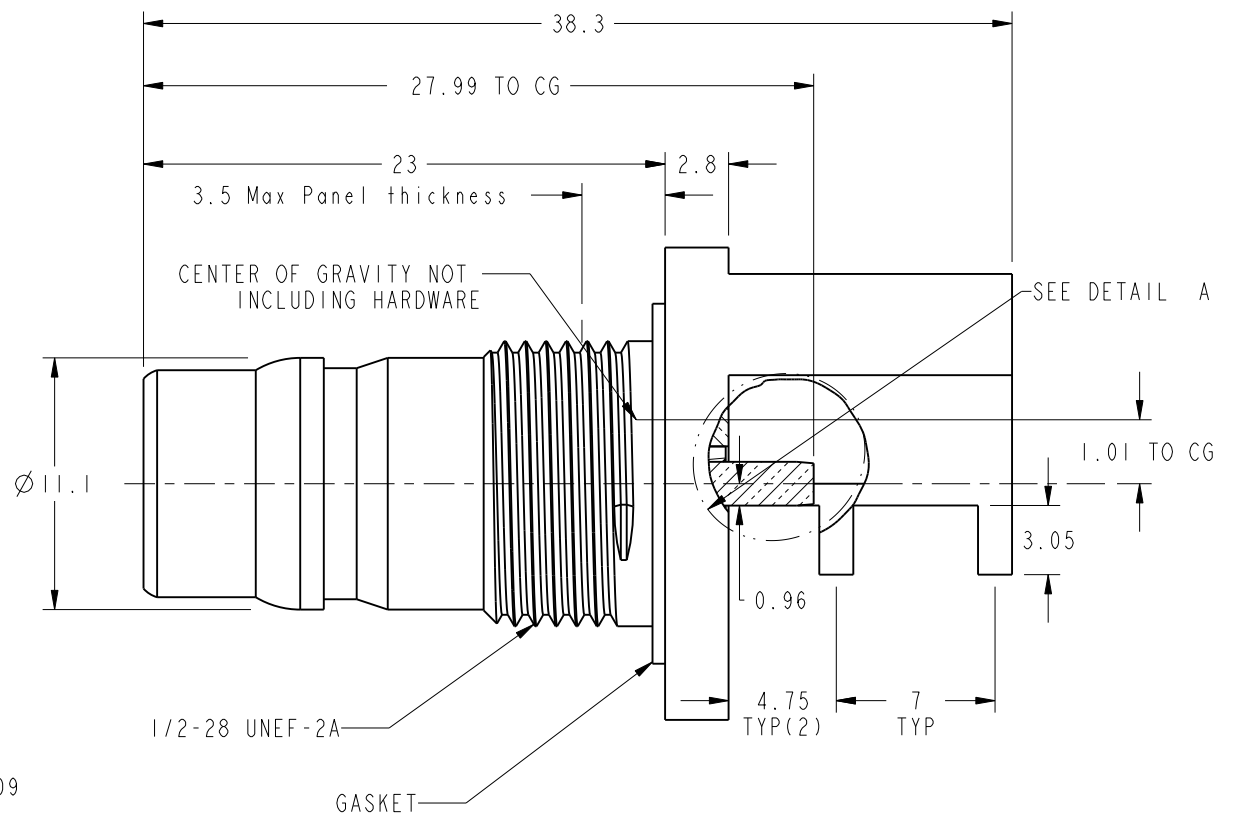
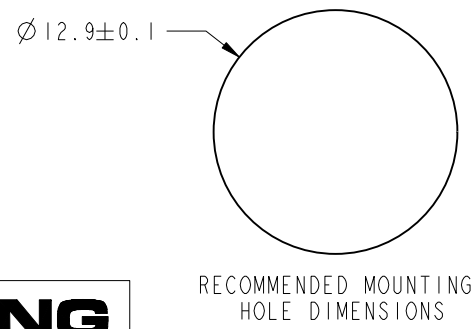
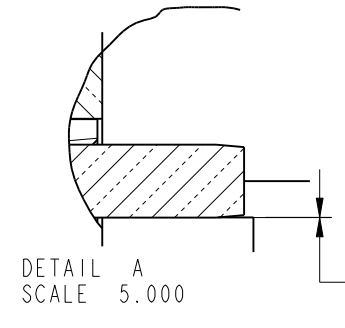
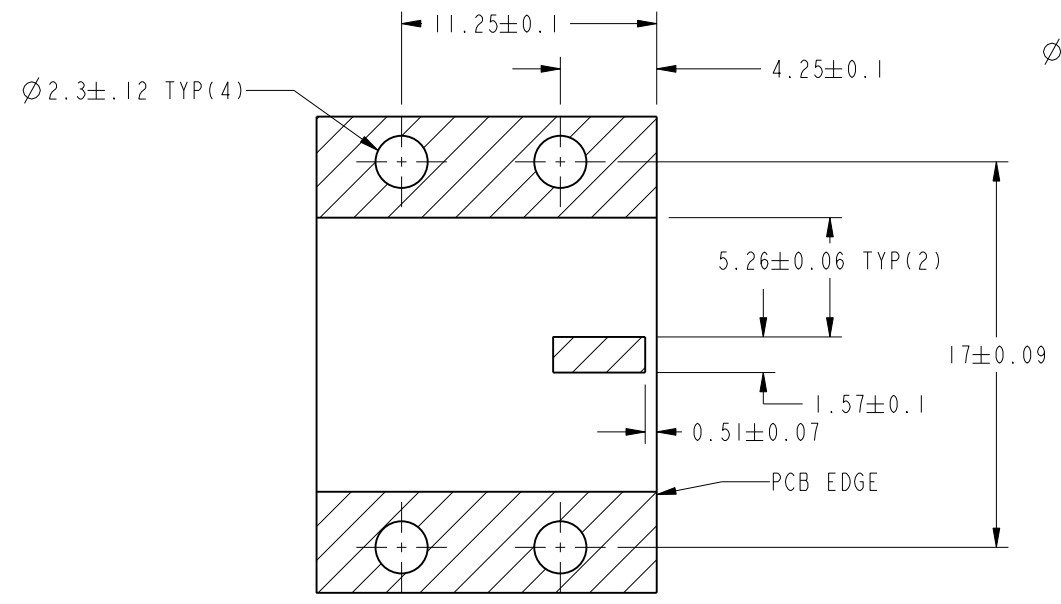


- NOTES:
- MATERIALS AND FINISHES:
 - BODY - BRASS, GOLD PLATING (.000004"-.000012") OVER (.000300" MIN) HIGH PHOSPHOROUS NICKEL
 - CONTACT - PHOSPHOR BRONZE, GOLD PLATING (.000004"-.000012") OVER (.000080"-.000150") HIGH PHOSPHOROUS NICKEL
 - GASKET - SILICONE
 - INSULATOR - PTFE
 - ELECTRICAL:
 - A. IMPEDANCE: 50 OHM
 - B. FREQUENCY RANGE: DC - 4 GHz
 - C. DIELECTRIC WITHSTANDING VOLTAGE: 1300 VRMS, 50 Hz FOR 60 SEC.
 - MECHANICAL:
 - A. DURABILITY: 100 CYCLES MIN.
 - B. TEMPERATURE RANGE: -40° C TO +125° C
 - C. TORQUE: TIGHTEN HARDWARE BETWEEN 4-6 IN-LBS
 - D. IP 67 RATED WHEN MATED.
 - PACKAGING:
 - A. TAPE AND REEL
 - B. MARKING: TO BE MARKED "AMPHENOL, 90-138J-51S, AND DATE CODE"

THIRD ANGLE PROJ.

REV		DESCRIPTION	DATE	ECO	APPR
A		RELEASE TO MANUFACTURING	6/22/09	47370	TRC
B		UPDATED COG, HIPOT WAS 1500Vrms, TORQUE UPDATED	7/14/09	47680	TRC



METRIC DRAWING

CUSTOMER OUTLINE DRAWING
ALL OTHER SHEETS ARE FOR INTERNAL USE ONLY

UNLESS OTHERWISE SPECIFIED, DIMENSIONS ARE METRIC AND TOLERANCES ARE: 1 PLACE DECIMAL ± 0.3MM (.012") 2 PLACE DECIMAL ± .10 MM (.004") ANGLES ± 1°	MATERIAL	DRAWN	DATE	TITLE ASSEMBLY QN, JACK PCB EDGE MT		Amphenol RF	
		T. COVERSTONE	31-July-08			Danbury CT USA, Tainan, Taiwan, Shenzhen, China www.amphenolrf.com	
NOTICE - These drawings, specifications, or other data (1) are, and remain the property of Amphenol corp. (2) must be returned upon request; and (3) are confidential and not to be disclosed to any person other than those to whom they are given by Amphenol Corp. the finishing of these drawings, specifications, or other data by Amphenol Corp., or to any other person to anyone for any purpose is not to be regarded by implication or otherwise in any manner licensing, granting rights to permitting such holder or any other person to manufacture, use or sell any product, process or design, patented or otherwise, that may in any way be related to or disclosed by said drawings, specifications, or other data.	REFERENCE	ENGINEER	DATE	SCALE: 5.0:1.0		DRAWING NO. 90-138J-51S	
	EAR #3080 AND	T. COVERSTONE	31-July-08			SHEET 2 OF 2	
	CONFIGURATION LEVEL: Engineering Change	APPROVED	K. CAPOZZI	DATE	DWG SIZE	CODE ID	REV
FINISH			7/14/09	B	74868	B	90-138J-51S
		Root Folder/QN/90-138J-51S					