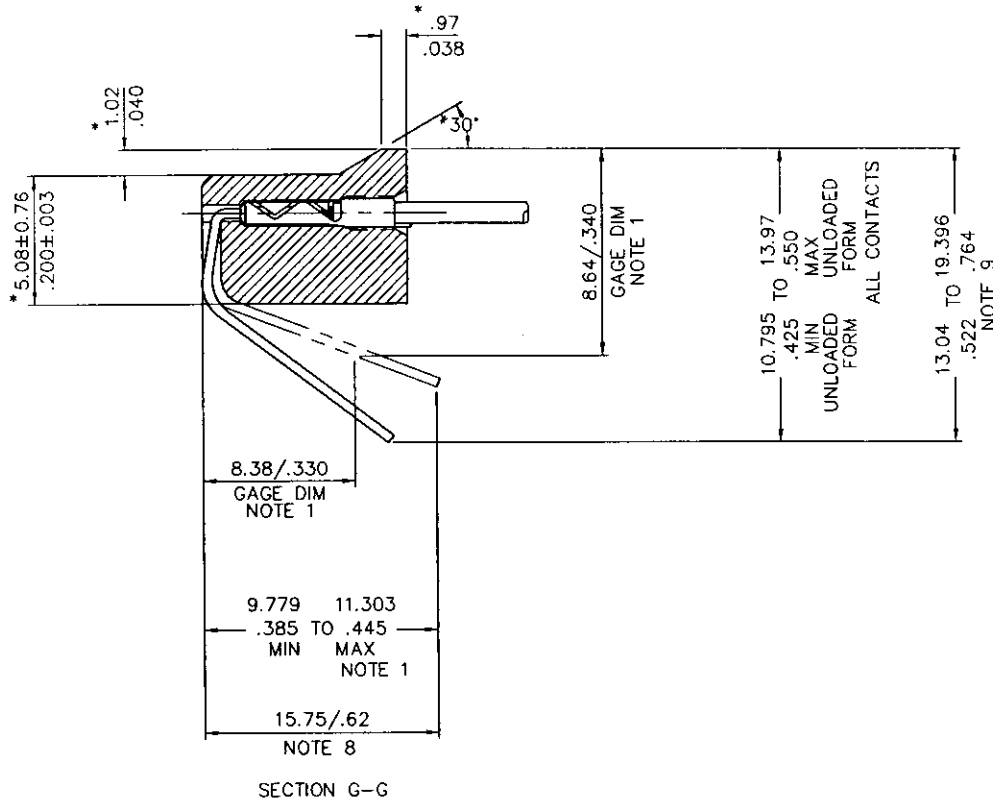


Tous droits strictement réservés. Reproduction ou communication, o des tiers int
 sans autorisation écrite du propriétaire.
 Property of c BERG ELECTRONICS.
 Droits de reproduction BERG ELECTRONICS by



All rights strictly reserved. Reproduction or issue to third parties in any for
 whatever is not permitted without written authority from the proprietor.
 Property of c BERG ELECTRONICS.
 Copyright BERG ELECTRONICS by



NOTE:

- ① FOR VISUAL, MECHANICAL AND FUNCTIONAL REQUIREMENTS, SEE SPECIFICATION BUS-12-004.
2. HOUSING MAT'L: SEE TABLE
3. TERMINAL MAT'L: 1/2 HARD BRASS ALLOY UNS C26800, SEE TABLE FOR PLATING.
4. PLATED WIRE MAT'L: 135M-150M PSI TENSILE PHOS BRONZE ALLOY UNS-C51000 PLATING: SEE TABLE
- ⑤ INSULATED WIRE:
 STYLE A: 27 AWG, 7 STRANDS OF TINNED COPPER WIRE, PVC INSULATION.
 STYLE B: 27 AWG, 7 STRANDS OF TINNED COPPER WIRE, TOP COATED, PVC INSULATION.
 STYLE C: 26 AWG, 7 STRANDS OF TINNED COPPER WIRE, TOP COATED, PVC INSULATION.
 STYLE D: 26 AWG, 7 STRANDS OF TINNED COPPER WIRE, PVC INSULATION.
- 6 ALL DIMENSIONS MARKED WITH ASTERISKS ARE REF FOR MOUNTING.
7. TERMINAL PLATING: (STYLE S)-PRE PLATED WITH 2.54u/100u" TO 7.62u/300u" TIN LEAD.
 (STYLE R)-UNPLATED PLAIN BRASS.
- ⑧ 15.75/.62 IS USED TO REPLACE THE DIMENSION OF 9.779/.385 TO 11.303/.445 FOR 66031-024 ONLY.
- ⑨ 13.04/.522 TO 19.396/.764 IS USED TO REPLACE 10.795/.425 TO 13.97/.550 FOR 66031-024 ONLY.

mat'l code		tolerance unless otherwise specified		CUSTOMER COPY		BERG ELECTRONICS		
rev.	ecn no.	dr	date	linear	.0 ± 0.25	projection	title	
AB					.00 ± 0.13			616 INSERT
					.000± 0.05			
				angles	± 2'	product family	code	
				dr	M.CLOUSER 06/02/87			unit
				enrg	J.SHUEY 06/02/87	mm/inch	size	dwg no.
				chr	J.SHUEY 06/02/87	scale	A3	66031
				appd	J.SHUEY 06/02/87			sheet 2 OF
sheet index	revision sheet	1						

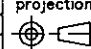
PRODUCT NO	POS NO	WIRE COLOR	DIM L	WIRE STYLE SEE NOTE 5	TERMINAL STYLE	HOUSING MAT'L	CONTACT PLATING	REVISIONS			
								REV	DESCRIPTION	BY	DATE
66031-010	1	RED	177.8/7.00	STYLE A	S	A.B.S. UL94V-0 GRAY	.76 μ /30 μ " Au OVER 2.54 μ /100 μ " Ni	W			
	2	WHITE	177.8/7.00	STYLE A							
	3	GREEN	177.8/7.00	STYLE A							
	4	BLACK	177.8/7.00	STYLE A							
66031-011	1	RED	107.95/4.25	STYLE A	S	A.B.S. UL94V-0 GRAY	.76 μ /30 μ " Au OVER 2.54 μ /100 μ " Ni				
	2	WHITE	107.95/4.25	STYLE A							
	3	WHITE	107.95/4.25	STYLE A							
	4	BLACK	107.95/4.25	STYLE A							
66031-012	1	RED	107.95/4.25	STYLE B	S	A.B.S. UL94V-0 GRAY	.76 μ /30 μ " Au OVER 2.54 μ /100 μ " Ni				
	2	WHITE	107.95/4.25	STYLE B							
	3	GREEN	107.95/4.25	STYLE B							
	4	BLACK	107.95/4.25	STYLE B							
66031-013	1	BLACK	82.55/3.25	STYLE B	S	A.B.S. UL94V-0 GRAY	.76 μ /30 μ " Au OVER 2.54 μ /100 μ " Ni				
	2	GREEN	234.95/9.25	STYLE B							
	3	WHITE	234.95/9.25	STYLE B							
	4	RED	32.55/3.25	STYLE B							
66031-014	1	RED	82.55/3.25	STYLE B	R	A.B.S. UL94V-0 GRAY	.76 μ /30 μ " Au OVER 2.54 μ /100 μ " Ni				
	2	YELLOW	82.55/3.25	STYLE B							
	3	GREEN	82.55/3.25	STYLE B							
	4	BLACK	82.55/3.25	STYLE B							
66031-015	1	RED	82.55/3.25	STYLE B	R	A.B.S. UL94V-0 GRAY	.76 μ /30 μ " Au OVER 2.54 μ /100 μ " Ni				
	2	YELLOW	234.95/9.25	STYLE B							
	3	GREEN	82.55/3.25	STYLE B							
	4	BLACK	234.95/9.25	STYLE B							
66031-016	1	RED	107.95/4.25	STYLE A	S	A.B.S. UL94V-0 GRAY	.76 μ /30 μ " Au OVER 2.54 μ /100 μ " Ni				
	2	WHITE	203.20/8.00	STYLE A							
	3	WHITE	203.20/8.00	STYLE A							
	4	BLACK	107.95/4.25	STYLE A							
66031-017	1	RED	127/5.00	STYLE B	S	A.B.S. UL94V-0 GRAY	.76 μ /30 μ " Au OVER 2.54 μ /100 μ " Ni				
	2	WHITE	127/5.00	STYLE B							
	3	GREEN	127/5.00	STYLE B							
	4	BLACK	127/5.00	STYLE B							

SHEET INDEX		ISSUE SH NO		DO NOT SCALE DRAWING		TOLERANCE UNLESS OTHERWISE NOTED		MATERIAL		DATE		DU PONT CONNECTOR SYSTEMS	
						LINEAR 0.010, .025, .001, .01 0.0010, .01, .00001, .0020 ANGLE: 1:2' 0"		DK H. CLOUSER DK J. SHUEY ENGR J. SHUEY APPR J. SHUEY		8/2/87 8/2/87 8/2/87		CUSTOMER COPY CODE IDENT 22526 TITLE 616 INSERT SCALE SIZE DWG NO 1:1 D 66031 SHEET 4	

NOTE: This print is the property of the production department of Dupont Connector Systems, Division of E. I. du Pont de Nemours & Co., Inc. No part of this design may be used in any way without the written consent of Dupont Connector Systems, Inc. 10/1/87

PRODUCT NO.
SEE CHART

PRODUCT NO	POS. NO	WIRE COLOR	DIM L	WIRE STYLE. NOTE 5	HSG MAT'L	SPLICE FINISH	CONTACT PLATING	TERMINAL STYLE	
66031-025	1	BLACK	234.95/9.25	C	ABS UL94V-0 GRAY	PLATED	30 μ "AU OVER 100 μ "Ni	S	
	2	GREEN							
	3	WHITE							
	4	RED	234.95/9.25						
66031-026	1	BLACK	117.8/7.00	C	ABS UL94V-0 GRAY	PLATED	30 μ "AU OVER 100 μ "Ni	S	
	2	GREEN							
	3	YELLOW							
	4	RED	117.8/7.00						
66031-027	1	BLACK	117.8/7.00	C	ABS UL94V-0 GRAY	PLATED	30 μ "GXT	S	
	2	GREEN							
	3	YELLOW							
	4	RED	117.8/7.00						
66031-028	1	BLACK	260.35/10.25	C	ABS UL94V-0 GRAY	PLATED	30 μ "GXT	S	
	2	WHITE							
	3	WHITE							
	4	RED	260.35/10.25						
66031-029	1	BLACK	165.1/6.50	C	ABS UL94V-0 GRAY	PLATED	30 μ "GXT	U	
	2	GREEN	165.1/6.50						
	3	NOT LOADED							
	4	RED	165.1/6.50						C
66031-030	1	BLACK	176.3/6.94	C	ABS UL94V-0 GRAY	PLATED	30 μ "GXT	U	
	2	WHITE	201.7/7.94						
	3	WHITE	201.7/7.94						
	4	RED	176.3/6.94						

mat'l code				tolerance unless otherwise specified		CUSTOMER COPY		BERG ELECTRONICS	
rev.	ecn no.	dr	date	linear	.0 ± 0.25	projection	title	616 INSERT	
AC	T50332	C L	11/08/95		.00 ± 0.13				
				angles	±			product family	
				dr	C L FENG	11/08/95	unit	mm/inch	
				enqr	TONY CHIEN	11/08/95	size	dwg no.	
				chr	TONY CHIEN	11/08/95	scale	A3 66031	
				appd	JENN TSAO	11/08/95			code TWN
sheet		revision						sheet	
index		sheet		1				6 OF	

Tous droits strictement reserves. Reproduction ou communication a des tiers int sans que l'on ait obtenu l'autorisation écrite du propriétaire.
Property of c BERG ELECTRONICS.
Droits de reproduction BERG ELECTRONICS by



All rights strictly reserved. Reproduction or issue to third parties in any form without the written authority from the proprietor.
Property of c BERG ELECTRONICS.
Copyright BERG ELECTRONICS by

PRODUCT NO.
SEE CHART

PRODUCT NO	POS. NO	WIRE COLOR	DIM L	WIRE STYLE. NOTE 5	HSG MAT'L	SPLICE FINISH	CONTACT PLATING	TERMINAL OR END FINISH
66031-031	1	WHITE	43.0/1.69	B	ABS UL94V-0 GRAY	PLATED	30 μ "GXT	STRIP 3.0±0.5
	2	WHITE	153.0/6.02					STYLE V
	3	BROWN	153.0/6.02					STYLE V
	4	BROWN	43.0/1.69					STRIP 3.0±0.5

mat'l code				tolerance unless otherwise specified		CUSTOMER COPY		BERG ELECTRONICS	
rev.	ecn no.	dr	date	linear	.0 ± 0.25	projection	title	616 INSERT	
AD	T60360	C L	09/03/96		.00 ± 0.13				
				angles	±				
				dr	C L FENG 09/03/96	unit	mm/inch	product family	code
				enrg	TONY CHIEN 09/03/96	size	dwg no.	TWN	
				chr	TONY CHIEN 09/03/96	scale	A3	66031	sheet
				appd	JENN TSAO 09/03/96			7 OF	
sheet	revision								
index	sheet	1							

sans aucune forme que ce soit, sans autorisation écrite du propriétaire.
 without in any form whatsoever without written authority from the proprietor.
 propiedad de BERG ELECTRONICS.
 property of BERG ELECTRONICS.
 todos los derechos reservados.
 all rights reserved.
 Copyright BERG ELECTRONICS Inc.



1 | 2 | 3 | 4 | 5 | 6

A

B

C

D

1 | 2 | 3 | 4 | 5 | 6