

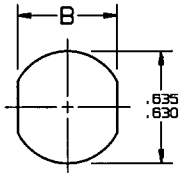
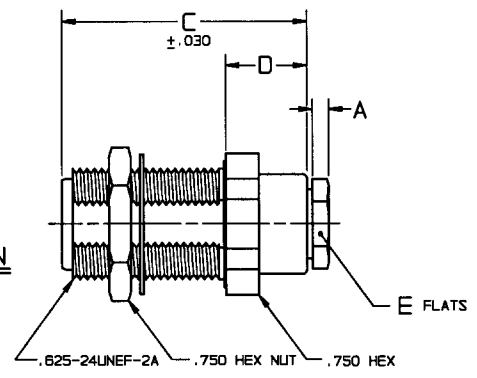
RED INDICATES ORIGINAL

DWG SIZE C	DATA CONTAINED IN THIS DOCUMENT IS PROPRIETARY TO TROMPETER ELECTRONICS, INC. AND SHALL NOT BE DISCLOSED, COPIED OR USED FOR PROCUREMENT OR MANUFACTURE WITHOUT EXPRESS WRITTEN PERMISSION.			REVISIONS		I-0175		SH 1
	REV	ED	DESCRIPTION	DWN	APPROVED	DATE		
V	11268		ADDED ITEM 10; -15A DELETED ITEM 7; REVISED NOTE 3 (SH 1); ADDED NOTE 2 (SH 2);	DKC	<i>B. J.</i>			

DASH NO	FIG	CABLE ACCOMMODATED	A DIM	B DIM	C DIM	D DIM	E FLATS	ASSEMBLE PER
-1		RG-58						
		ESSEX 621-715						
-2		RG-59						
-2A		BELDEN B279						
-2B		AT&T 730A						
-3		RG-223						
-3A		RG-55	.096	.566	1.392	.462	.437	TAI-101
		RG-122		.562				
-4		BELDEN B218						
		RG-174						
-5		RG-187						
-5A		RG-186						
-5B		HEWLETT-PACKARD 8120-1107						
-6		BELDEN 9231						
-6A	1	RG-8						
		RG-11	.130	.543	1.450	.535	.825	TAI-120
-6B		RG-9		.532				
		RG-13						
-6E		RG-5						
		RG-6						
-21		RG-303						
-22		RG-180						
-31		GRUMMAN GCB75GP1						
		RG187 DBL SHLD						
-34		BELDEN B228						
-36		MICRODOT 275-3991	.096	.566	1.392	.462	.437	TAI-101
		AMPEX 616-569		.562				
-37		RAYCHEM 610						
		RG-304						
-41		BELDEN 9248						
-44		BRAND REX 8749						
		GORE COBC032					.250	
-086	2	RG-405					.312	TAI-130
-141		RG-402						
-4B	1	BELDEN 9880	.130	.543	1.450	.535	.625	TAI-120
-50		BELDEN 99880		.542				

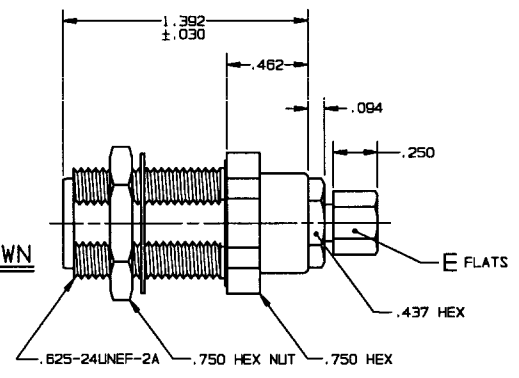
INCH	MM
.005	0.13
.030	0.76
.094	2.39
.096	2.44
.130	3.30
.250	6.35
.310	7.87
.312	7.92
.437	11.10
.462	11.73
.532	13.51
.535	13.59
.542	13.77
.543	13.79
.562	14.27
.566	14.39
.625	15.88
.630	16.00
.635	16.13
.750	19.05
.800	20.32
1.392	35.36
1.450	36.83

FIG 1
-1 SHOWN



RECOMMENDED
PANEL CUTOUT

FIG 2
-141 SHOWN



- TYPE "N" COAXIAL BULKHEAD MOUNT RECEPTACLE, 50 & 75 OHM VERSIONS
- MAX PANEL THK .310
- EXAMPLE OF COMPLETE MODEL NO:
75 OHM VERSION → U BJ95 - 2 → CABLE GROUP
(50 OHM=DMIT "U")
BASIC MODEL NO. →
- FINISH: TFS-1A (NICKEL)
- ALL DIM ARE IN INCHES

QTY	DESCRIPTION		PART NUMBER		ITEM
TOL UNLESS SPECIFIED .001 ± .002 ± .005 .0000 ± ANGLE	TROMPETER ELECTRONICS, INC.		BJ95/UBJ95		
DWN	DKC	8-4-95	MATERIAL	CODE IDENT	DRAWING NO.
CHK	<i>DKC</i>	8-8-75		14949	1-0175
ENGR			SCALE 2/1	DATE 4-23-70	SHEET 1 OF 2
NEXT ASSY	APPR	<i>DKC</i>	8/7/75		