



Features:

- Motor: AC Induction Motor
- Motor Protection: Thermal Protected
- Insulation Class F
- Bearing Type: Two Ball
- Connection: UL 1015 AWG 22, 400mm Wire Leads
- Rotor Material: Aluminum Alloy
- Impeller Material: Plastic UL94V-0
- Operating Temp:
Two Ball: -20°C~70°C
- Life Expectancy:
Two Ball: 70,000 Hours
Two Ball: 100,000 Hours (-L)



Fan-S Division

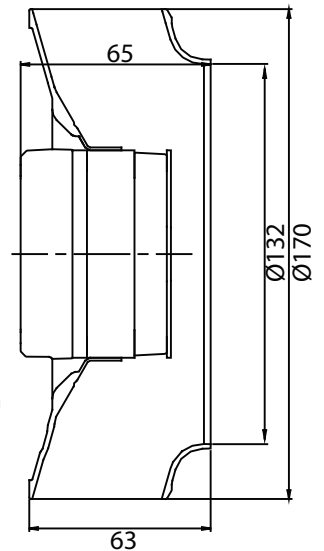
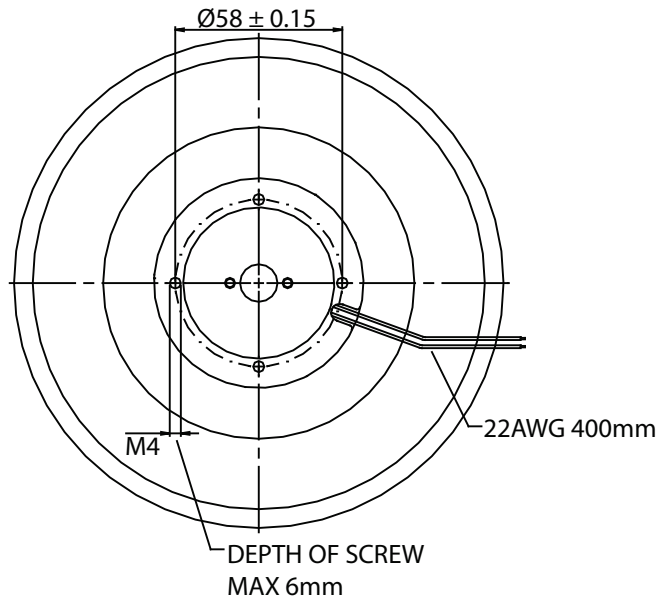
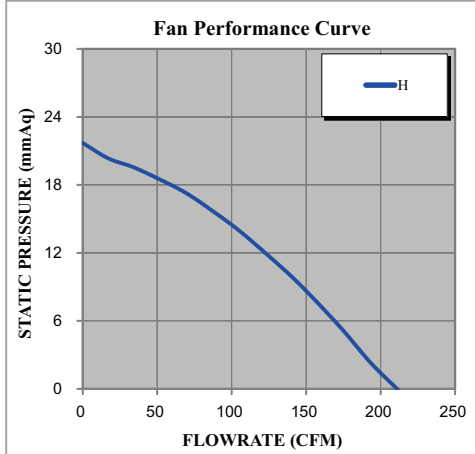


Model No.	Volt.	Freq.	Current	Power	Rated Speed	Maximum AirFlow		Maximum Static Pressure		Noise Level	Weight
	(VAC)	(Hz)	(A)	(W)	(rpm)	(CMM)	(CFM)	(InAq)	(mmAq)	(dB/A)	(g)
FDA5-17065NBHW3F #	115	50/60	0.26/0.27	27.0/31.0	2750/3100	5.95/6.80	210/240	0.866/1.102	22.0/28.0	67.0/69.0	900
FDA5-17065QBHW3F #	230	50/60	0.10/0.13	24.0/30.0	2750/3100	5.95/6.80	210/240	0.866/1.102	22.0/28.0	67.0/69.0	900

Indicates "-L" (100,000 Hours Life Expectancy) or Leave Blank (70,000 Hours Life Expectancy)

Noise is measured at the distance of one (1) meter from the axis of intake.

50Hz



60Hz

