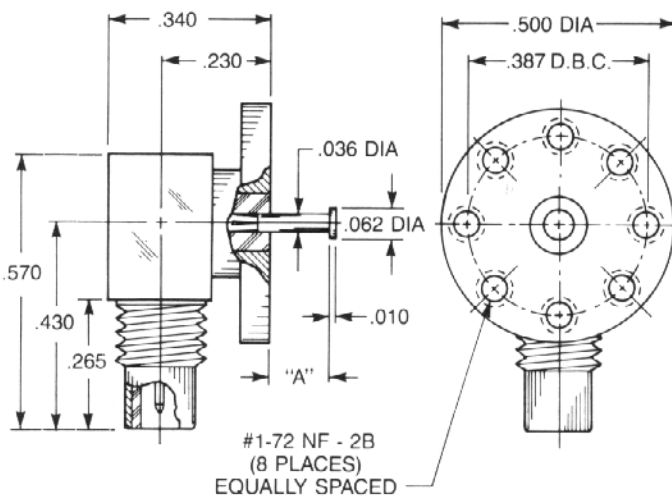


Straight Male Top Launch Jack

- Non-captive contact

Dim. A	Part number	
.031	1029-1211-001	(Gold plated)
	1029-7211-001	(Nickel plated)
.063	1029-1211-002	(Gold plated)
	1029-7211-002	(Nickel plated)
.125	1029-1211-003	(Gold plated)
	1029-7211-003	(Nickel plated)



Right Angle Male Top Launch Jack

- Removable rear contact

Dim. A	Part number	
.031	1092-1511-001	(Gold plated)
	1092-7511-001	(Nickel plated)
.063	1092-1511-002	(Gold plated)
	1092-7511-002	(Nickel plated)
.125	1092-1511-003	(Gold plated)
	1092-7511-003	(Nickel plated)