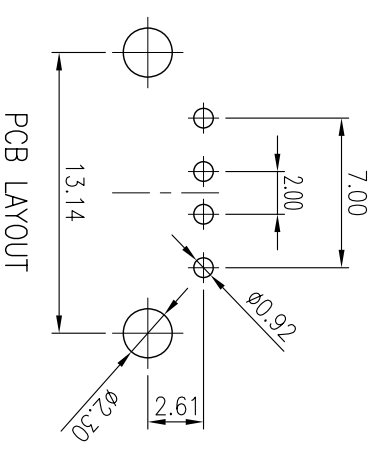
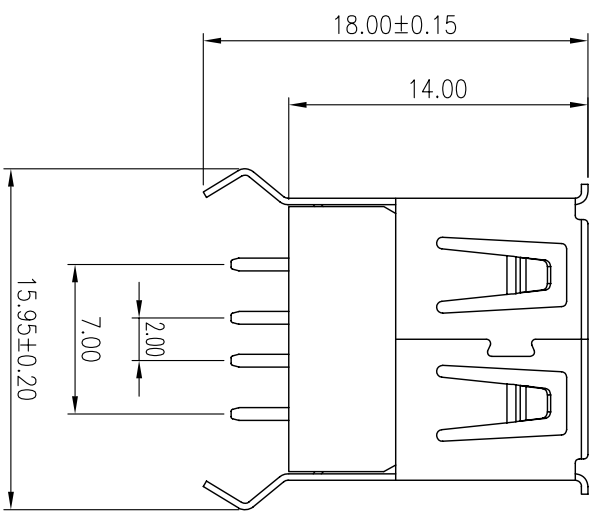
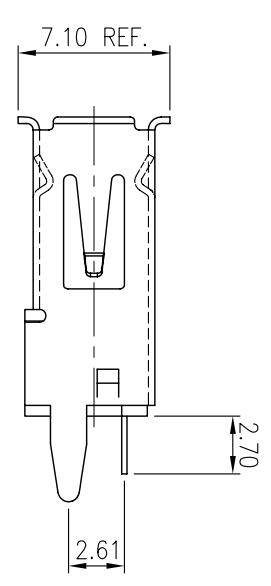
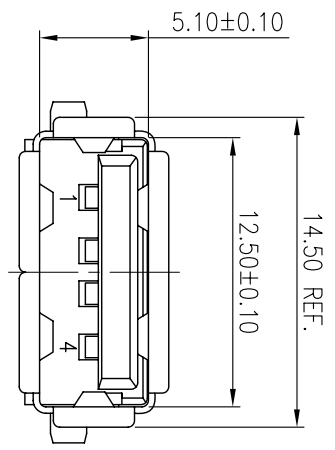


VI.2 NOTE: THIS DEVICE IS ROHS COMPLIANT.



REVISIONS		1	2	3	4	5	6	7	8
SYM	DESCRIPTION	DATE	APPROVED	SYM	DESCRIPTION	DATE	APPROVED	SYM	DESCRIPTION
Δ				Δ				Δ	
Δ				Δ				Δ	

****CUSTOMER DRAWING FOR REFERENCE ONLY, SAMPLES APPROVAL ARE REQUIRED!!**

075

SPECIFICATION

ELECTRICAL:

CONTACT RESISTANCE: 30MΩ MAX. WHEN MEASURES AT 20MV MAX.
 OPEN CIRCUIT AT 100mA
 DIELECTRIC WITHSTANDING VOLTAGE: THE DIELECTRIC MUST WITHSTAND 500V AC MAX WITH 1 MINUTE
 INSULATION RESISTANCE: 1000MΩ MIN.
 CURRENT RATING: 1.5A AT 250V AC MIN. WHEN MEASURED AT AN AMBIENT TEMPERATURE OF 25°C

MECHANICAL

INSERTION FORCE: 3.5Kg MAX.
 EXTRACTION FORCE: 1.0Kg MIN.

MATERIAL

HOUSING: THERMOPLASTIC, GLASS FIBER FILLED UL 94V-0 RATE,
 COLOR BLACK OR WHITE
 TERMINAL: COPPER ALLOY, t=0.25
 SHELL: COPPER ALLOY, OR SPCC, t=0.30
 FINISH
 TERMINAL: GOLD PLATED ON CONTACT AREA, TIN PLATED ON SOLDER AREA.
 SHELL: NICKEL 80u" MIN.

ORDER INFORMATION:

USBX01-P04NGX
 USB: USB CONNECTOR
 X01: SERIES NO.
 001: COLOR OF PLASTIC, WHITE
 102: COLOR OF PLASTIC, BLACK
 P: PCB TYPE, STRAIGHT
 04: NO. OF CONTACTS
 N: SHELL PLATING, NICKEL PLATED
 GX: CONTACT PLATING OPTION
 Gt: GOLD FLASH ON CONTACTS, TIN
 PLATED ON SOLDER TAILS
 G30t: 30u" GOLD ON CONTACTS, TIN
 PLATED ON SOLDER TAILS

PIN-OUT
PIN1 VCC, +5V DC
PIN2 D-, Ddata-
PIN3 D+, Ddata+
PIN4 GND Ground

TOLERANCES UNLESS OTHERWISE SPECIFIED		SIGNATURES		DATE		MODEL	
SYMBOL	UNIT	CHECKED	APPROVALS	DRAWN	APPROVALS	TITLE	NO.
Δ	mm	WENDY		KEN		USB JACK A TYPE	
						USB_01-P04NG_	

MMT CORPORATION