

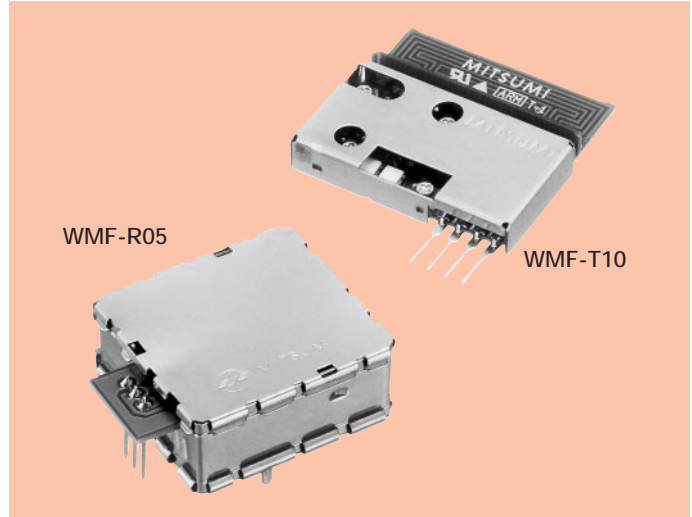
49MHz Band Transmitting-Receiving Module Conforming to FCC WMF-T10, R05

Telecommunication component

OUTLINE

WMF series small electric wave type transceiver modules have been developed as a wireless controller for PC.

Since these modules can be freely and directly soldered on PC boards, a non-directional wireless control system can easily be realized.



FEATURES

● Transmitting Module (WMF-T10)

1. Thin and lightweight.
2. 3V supply voltage.
3. Can be directly soldered on PC boards.
4. Low current consumption 10mA (typ.).
5. Can be paired with receiving module (WMF-R05).
6. Quick rise-time (2mS) with strobe terminals.

● Receiving Module (WMF-R05)

1. Thin and lightweight.
2. 5V supply voltage.
3. Can be directly soldered on PC boards.
4. TTL level data output.
5. Can be paired with transmitting module (WMF-T10).

SPECIFICATIONS

● Transmitting Module (WMF-T10)

Item	Specifications			Remarks
	min.	typ.	max.	
Transmitting Frequency	49.8660MHz	49.8675MHz	49.8690MHz	
Transmitting Output			80dB μ V/m	at 3m
Deviation Width	1.0kHz	1.5kHz	2.0kHz	FSK
Data Input Level	HIGH LOW	2.7V	0.4V	
Supply Voltage	2.7V		3.3V	
Current Consumption		10mA	14mA	
Transmission Rate			4800bps	
Set-up Time		2mS	5mS	

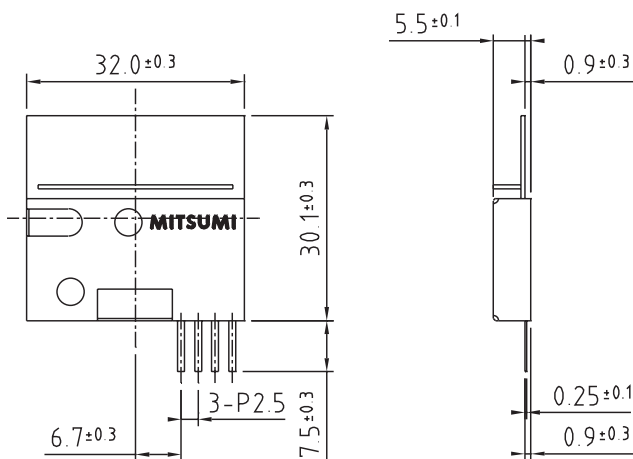
49MHz Band Transmitting-Receiving Module Conforming to FCC

● Receiving Module (WMF-R05)

Item	Specifications			Remarks
	min.	typ.	max.	
Receiving Frequency	49.8660MHz	49.8675MHz	49.8690MHz	
Sensitivity			12dBμ	BER = 0.01 (4800dps PN9)
Spurious Response	35dB			
Data Output Level	HIGH	4.0V		
	LOW		0.4V	
Current Consumption		7mA	10mA	
Demodulated Transmission Rate			4800bps	

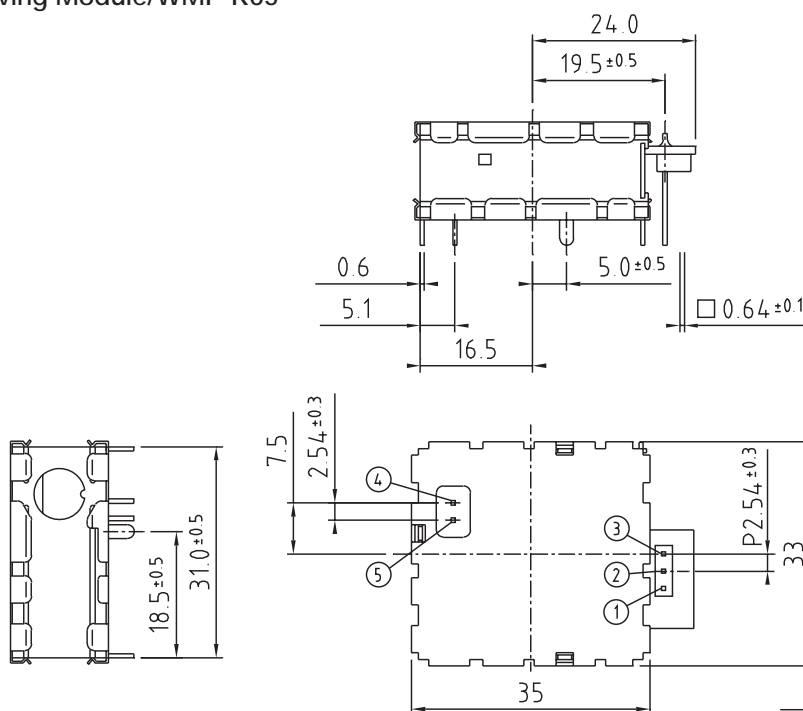
DIMENSIONS

● Transmitting Module/WMF-T10



TERMINALS
1. GND
2. +B (3V)
3. STROBE
4. DATA IN

● Receiving Module/WMF-R05



TERMINALS
1. +B
2. DATA OUT
3. GROUND
4. ANT
5. ANT GROUND

Unit : mm

*For the technical details of the products in this page, please refer to Sales promotion Dept., TOCHIGI MITUMI Co., Ltd. Phone: 0283 (23) 3332.