

New!

A02 SERIES INDUSTRIAL CONTROLS

INDICATORS, PUSHBUTTON SWITCHES, ROTARY LEVER SWITCHES,
KEYLOCK SWITCHES & EMERGENCY STOP SWITCHES

FEATURES

- Momentary or Maintained 1, 2, 3 & 4 pole changeover contacts.
- Front panel gasket, internal seal and mtg. nut are standard for square or round models.
- Frt. pnl. gasket, int. seal and 2 integral screw adjusting jam blocks are std'd. for rect. models.
- Square & round models mount in .866" (22mm) dia. hole in panels up to .236" (6mm) thick.
- Rect. models mount in 1.160" (29.5mm) x .847" (21.5mm) hole in panels up to .236" (6mm) thick.
- Secure modular snap-together body with 1 or 2 switch blocks can easily be dis-assembled.
- UL, CSA, VDE & BEAB approvals.
- Lever & keylock switches available in 2 and 3 positions.
- Newest technology optional multi-chip LED provides long life and superior illumination.
- All controls provide matching, cosmetic styling.
- Film legends insertable behind screen, or screen may be engraved.
- Red mushroom head twists to reset positive break Emergency Stop switch.
- Unique End Cap covers screw & clamp wire connections for back of panel safety.

SPECIFICATIONS SUBJECT TO CHANGE WITHOUT NOTICE.

MATERIALS

Operator outer body & internal parts:	Flame retardant polyetherimide.
Switch body & cover:	Flame retardant PBT.
Actuator:	Flame retardant PBT.
Seals:	Silicon rubber.
Contacts:	Fine silver.
Contact carriers (fixed & moving):	High conductivity brass with silver plate.
Reflector, Diffuser & Screen:	Flame retardant Polycarbonate.
Retaining Nut:	ABS.
Screws & Clamps:	Zinc plated steel w/clear passivation.

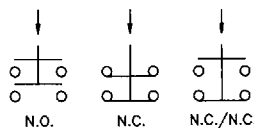
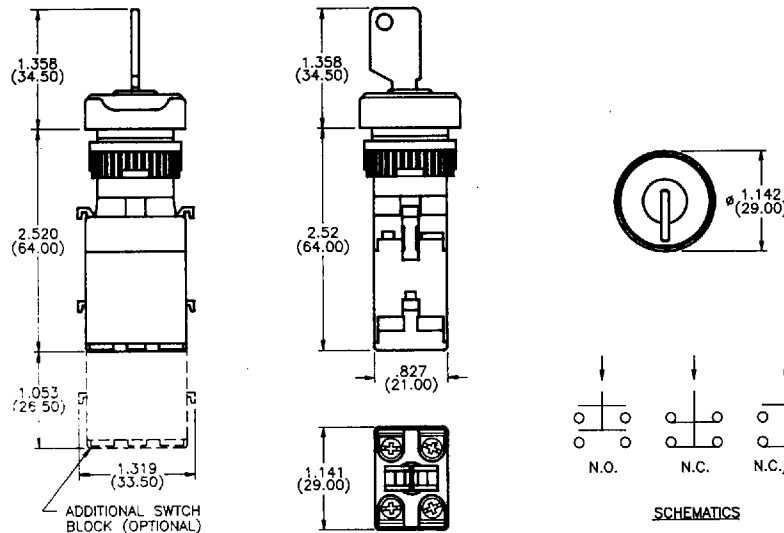
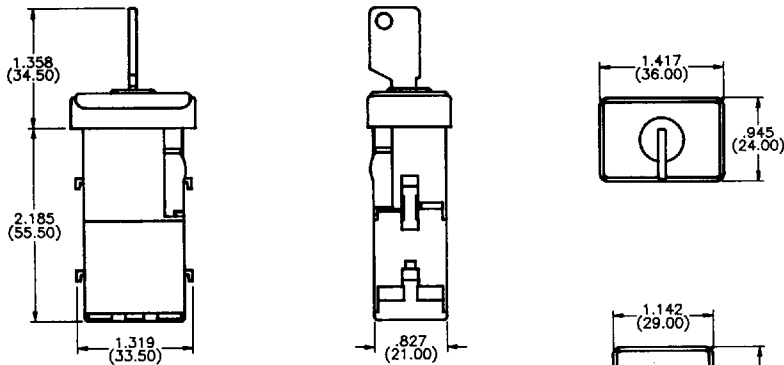
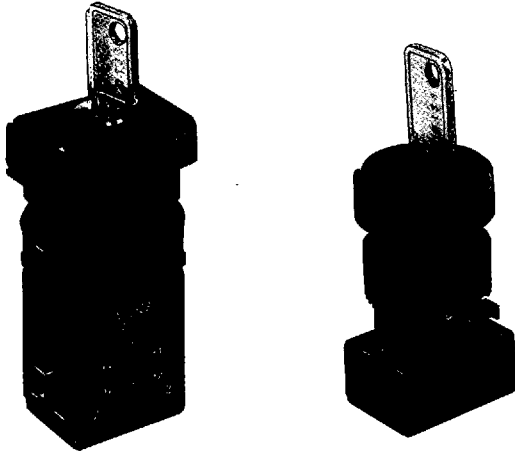
GENERAL SPECIFICATIONS

Contact rating:	25 mA at 5 VAC min. 12 Amps at 380 VAC max.
Initial contact resistance:	< 10 mΩ at 4 VDC & 1 Amp
Insulation resistance:	> 50 megohms
Dielectric strength:	2 KV open contacts. 4 KV contacts to panel
Electrical life:	>50,000 operations (frequent duty)
Mechanical life:	Momentary > 1 million operations Maintained > 100,000 operations Key & Lever > 100,000 operations
Operating temp. range:	-20°C to +85°C
Actuation force:	10 - 54 oz. (depending on switch element)
Illumination:	T1-3/4 midjet groove incandescent, neon or LED lamps & LED/Reflector assy's.
Illumination life:	Incandescents - approx. 5,000 hrs. Neons - approx. 10,000 hrs. LEDs - > 60,000 hrs. (to 75% relative luminosity)
Environmental protection:	IEC 529 IP 65 front of panel & IP40 back of panel (class 2)

D 96E ■ 6346802 0001508 192 ■

New!

A02 SERIES INDUSTRIAL CONTROLS KEYLOCK SWITCHES



SCHEMATICS

KEYLOCK OPERATOR

Model no.	Description
A028101	Rect., 2 pos., maint'd.
A028201	Square, 2 pos., maint'd.
A028301	Round, 2 pos., maint'd.
A028102	Rect., 2 pos., mom.
A028202	Square, 2 pos., mom.
A028302	Round, 2 pos., mom.
A028105	Rect., 3 pos., 2 maint'd.
A028205	Square, 3 pos., 2 maint'd.
A028305	Round, 3 pos., 2 maint'd.
A028106	Rect., 3 pos., 2 mom.
A028206	Square, 3 pos., 2 mom.
A028306	Round, 3 pos., 2 mom.
A028107	Rect., 3 pos., maint'd. left, mom. rt.
A028207	Square, 3 pos., maint'd. left, mom. rt.
A028307	Round, 3 pos., maint'd. left, mom. rt.
A028108	Rect., 3 pos., mom. left, maint'd. rt.
A028208	Square, 3 pos., mom. left, maint'd. rt.
A028308	Round, 3 pos., mom. left, maint'd. rt.

Round & square Operators are supplied with switch adaptor blocks. 2 standard keys are supplied.

SWITCH BLOCKS

Block 1 Model no.	Block 2 Model no.	Description Block 1 & 2
A02501	A02506	1 N.O.
A02502	A02507	1 N.C.
A02503	A02508	2 N.O.
A02504	A02509	2 N.C.
A02505	A02510	1 N.O. & 1 N.C.

Keylock switch may have 1 or 2 Switch Blocks - omit Block 2, if not required.

Note: Key is removeable in any position. Consult factory for other options.

SPECIFICATIONS SUBJECT TO CHANGE WITHOUT NOTICE.

Refer also to page H16 for additional Series A02 information.

To order: For complete Keylock Switch, select model no. for Operator and Switch Block (or Switch Blocks, if 2 are desired). Example: Square 2 position Keylock Switch with 2 switch blocks, one with 2 N.O. maintained contacts and the 2nd with 2 N.C. maintained contacts = A028101 - A02503 - A02509

1 96E 6346802 0001512 613