

# E-Series Surface Mount Mixer

## 0.5 - 500 MHz

# EMRSL-1L

V3.00

### Features

- LO Power: +3 dBm
- Up to -1 dBm RF
- Surface Mount

### Specifications @ 25°C

Frequency Range		
RF		0.5 - 500 MHz
LO		0.5 - 500 MHz
IF		DC - 500 MHz
Conversion Loss (dB)		
	Typical	Maximum
1 - 250 MHz	5.5	7.0
.5 - 500 MHz	6.2	8.5
Isolation (dB)		
	Typical	Minimum
LO to RF		
0.5 - 5 MHz	55	50
5 - 250 MHz	33	25
250 - 500 MHz	27	20
LO to IF		
0.5 - 5 MHz	55	45
5 - 250 MHz	30	23
250 - 500 MHz	24	19

### Operating Characteristics

Impedance	50 Ohms Nominal
RF input for 1dB Compression	-1 dBm
DC Polarity	Positive

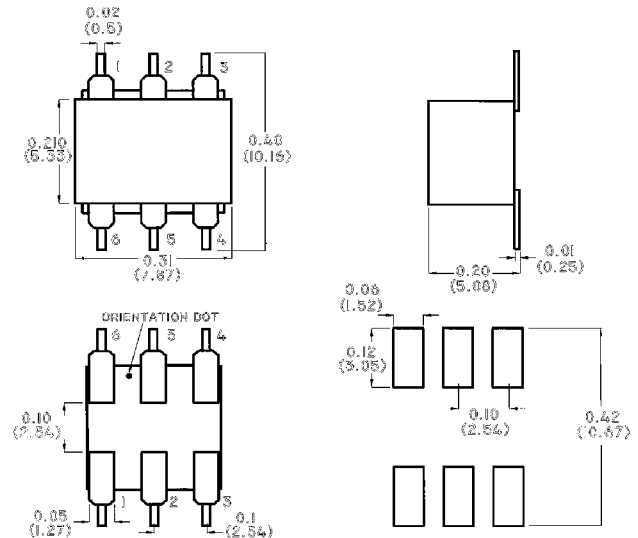
### Ordering Information

<b>Part No.</b>	<b>Packaging</b>
EMRSL-1L	Tubes
EMRSL-1LTR	Forward Tape & Reel

### Absolute Maximum Ratings

Parameter	Absolute Maximum
RF Power	50 mW
Peak IF Current	40 mA
Storage Temperature	-55°C to 100°C
Operating Temperature	-55°C to 100°C
Pin Temperature (10 Seconds)	260°C

### SM-24



### Pin Configuration

Function	Pin No.
LO	1
RF	4
IF*	5
Ground	2, 3, 6

\*IF pins must be connected together externally.

Specifications Subject to Change Without Notice.

S 0858 B

**M/A-COM, Inc.**

North America: Tel. (800) 366-2266 ■ Asia/Pacific: Tel. +81 (03) 3226-1671 ■ Europe: Tel. +44 (1344) 869 595  
Fax (800) 618-8883 Fax +81 (03) 3226-1451 Fax +44 (1344) 300 020