

# RED INDICATES ORIGINAL

DATA CONTAINED IN THIS DOCUMENT IS PROPRIETARY TO TROMPETER ELECTRONICS, INC. AND SHALL NOT BE DISCLOSED, COPIED OR USED FOR REPRODUCTION OR MANUFACTURE WITHOUT EXPRESS WRITTEN PERMISSION.

REV		DESCRIPTION	OWN	APPROVED	DATE
N	12784A	ADDED 15, 16 & -17; ADDED -DD8 TO TABLE 2; ADDED SST ROPE TO D2 THRU DD8; ADDED TABLES 1 & 2 TO SH 2; SEE ECO	R L		6/9/99

DASH NO	DESCRIPTION	DASH NO	DESCRIPTION
-1	TERM (NO CHAIN)	-10	TERM WITH 10.0 BRASS CHAIN
-2	TERM WITH 2.5 BRASS CHAIN	-11	TERM WITH 10.0 NYLON CHAIN
-3	TERM WITH 2.5 NYLON CHAIN	-12	TERM WITH 2.5 SST ROPE
-4	TERM WITH 3.0 BRASS CHAIN	-13	TERM WITH 3.0 SST ROPE
-5	TERM WITH 3.0 NYLON CHAIN	-14	TERM WITH 6.0 SST ROPE
-6	TERM WITH 6.0 BRASS CHAIN	-15	TERM WITH 4.0 SST ROPE
-7	TERM WITH 6.0 NYLON CHAIN	-16	TERM WITH 7.0 SST ROPE
-8	TERM WITH 4.0 BRASS CHAIN	-17	TERM WITH 4.5 SST ROPE
-9	TERM WITH 4.0 NYLON CHAIN		

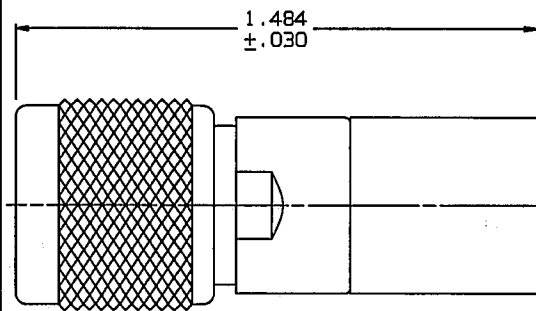
DASH NO	"A" DIA	"B" DIA	"C" DIM	"D" DIA
-D2	.630	.750	1.066	.450
-D3	.505	.625	.941	.388
-D4	.439	.562	.878	.355
-D5	.380	.500	.816	.325
-D6	.317	.437	.753	.295
-D7	.281	.406	.722	.278
-D8	.610	.750	1.066	.450
-D9	.567	.687	1.003	.419
-DD8	.330	.450	.766	.300

INCH	MM
.005	0.13
.010	0.25
.030	0.76
.032	0.81
.062	1.58
.140	3.56
.200	5.08
.25	6.35
.278	7.06
.290	7.37
.295	7.49
.300	7.62

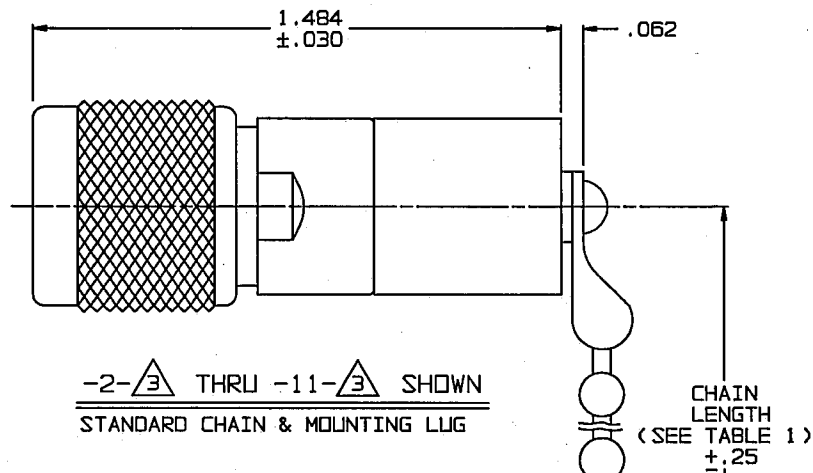
INCH	MM
.325	8.25
.330	8.38
.355	9.02
.380	9.65
.388	9.85
.406	10.31
.419	10.64
.439	11.16
.450	11.43
.500	12.70
.505	12.83
.56	14.22

INCH	MM
.562	14.27
.567	14.40
.610	15.49
.625	15.88
.630	16.00
.650	16.51
.687	17.45
.750	19.05
.766	19.46
.816	20.73
.878	22.30
.941	23.90

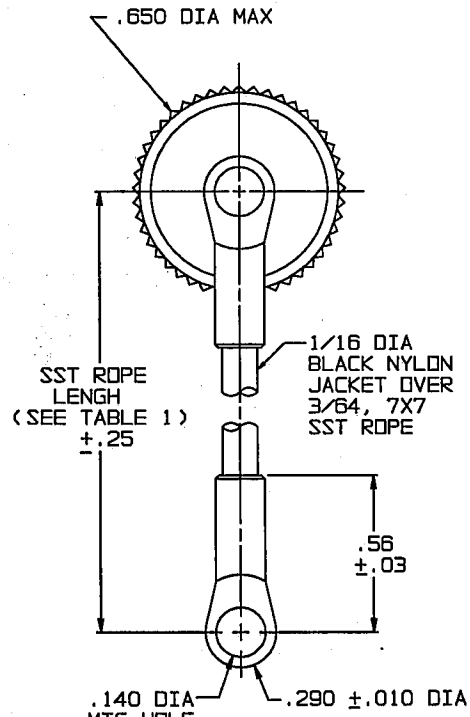
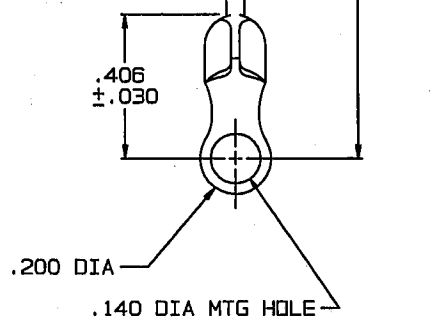
INCH	MM
1.003	25.48
1.066	27.08
1.484	37.69
2.5	63.50
3.0	76.20
4.0	101.60
4.5	114.30
6.0	152.40
7.0	177.80
10.0	254.00



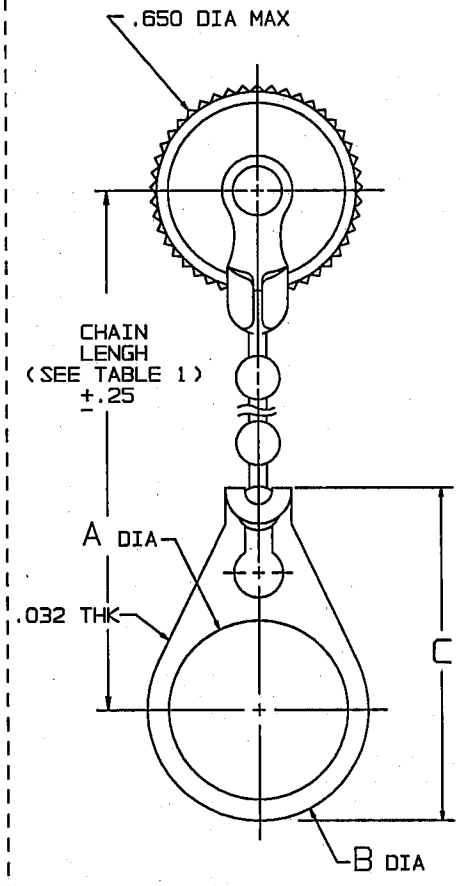
-1- $\Delta$  SHOWN  
NO CHAIN OR MOUNTING LUG



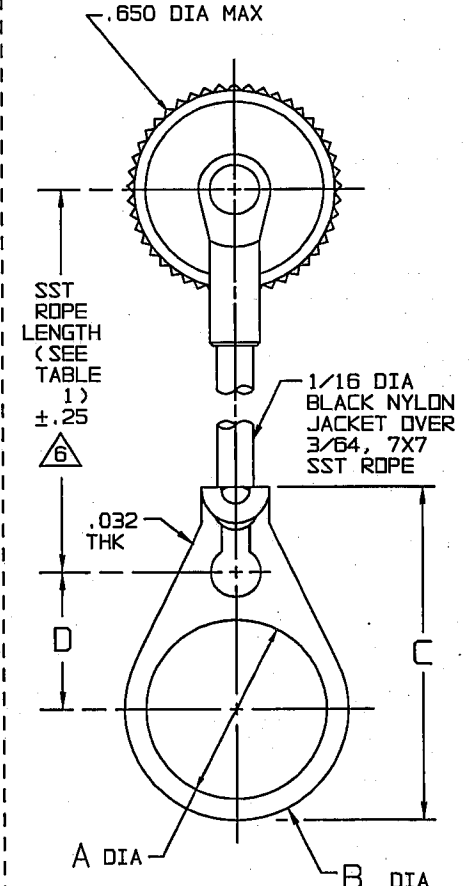
-2- $\Delta$  THRU -11- $\Delta$  SHOWN  
STANDARD CHAIN & MOUNTING LUG



-12- $\Delta$  THRU  
-17- $\Delta$  SHOWN  
STAINLESS STEEL ROPE AND MOUNTING LUG



-2- $\Delta$ -D2 THRU  
-11- $\Delta$ -DD8 SHOWN  
STANDARD CHAIN AND BULKHEAD JACK MOUNTING LUG



-12- $\Delta$ -D2 THRU  
-17- $\Delta$ -DD8 SHOWN  
STAINLESS STEEL ROPE AND BULKHEAD JACK MOUNTING LUG

$\Delta$  NOTE LENGTH FOR SST ROPE WITH MTG LUG OPTION IS NOT MEASURED TO CENTER OF BULKHEAD MTG LUG

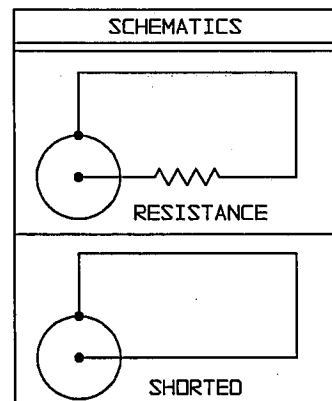
5. EXAMPLE OF COMPLETE MODEL NO:  
TNH1 - 2 -  $\Delta$  - D2  
BASIC MODEL NO: TNH1 (50 OHM) / U TNH1 (75 OHM)  
CHAIN/ROPE MATL AND LENGTH (SEE TABLE 1)  
BULKHEAD JACK MOUNTING LUG (OPTIONAL) AVAILABLE WITH BRASS CHAIN, NYLON CHAIN & SST ROPE (SEE TABLE 2)

4. TERMINATED MALE COAXIAL 50 & 75 OHMS TNC TYPE PLUG WITH CHAIN & MOUNTING LUG OPTIONS

$\Delta$  RESISTANCE VALUE IN OHMS (1/2W, 1%)  
S = PIN SHORTED TO CASE (NO RESISTOR)

2. FINISH: TFS-1A (NICKEL)

1. ALL DIMENSIONS ARE IN INCHES



QTY	DESCRIPTION	PART NUMBER	ITEM
TOL UNLESS SPECIFIED +.005 -.005 ANGLES	TROMPETER ELECTRONICS, INC.	TNH1/UTNH1	
DWN R L 11/13/99	MATERIAL	CODE IDENT	DRAWING NO.
CHK 10/17/99	14949	102-0008	REV N
ENGR 10/16/99	SCALE 4/1	DATE 7-12-98	SHEET 1C
APPR 10/16/99			