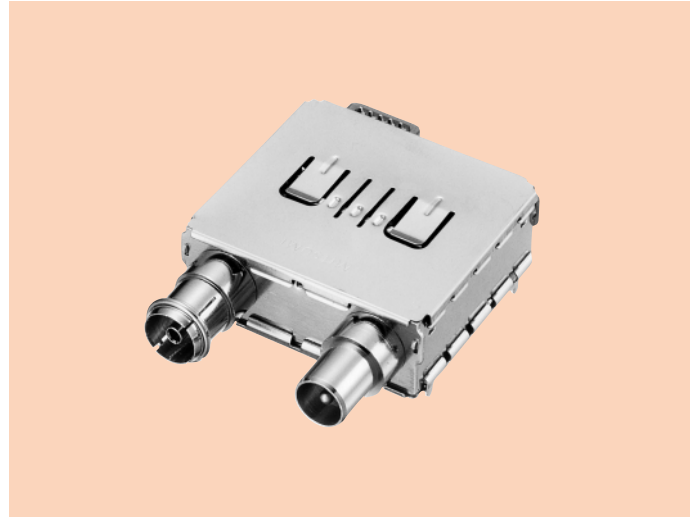


# RF Modulators for CD-I and VCR MDF24-UD3604

## OUTLINE

MDF24 series are compact RF modulators developed for CD-I and VCR.



## FEATURES

1. Electronic RF switch built-in.
2. The voice can be switched between G-PAL and I-PAL.

## SPECIFICATIONS

### General Specifications

Item	Model	MDF24-UD3604
Rating Supply Voltage		5V
Current Consumption		50mA (typ.)
Operating Temperature Range		0~55°C
RF Output Impedance		75Ω

Electrical Specifications (Modulator Section)

Video Carrier Output	66±3dBμ
Video Carrier Frequency	591.25MHz
Video Percent Modulation	75±10%
Output V.S.W.R.	3 max.
Spurious Signals within Assigned Band	60dB max.
Other Spurious Signals	-30dB max.
Audio Sub-Carrier Frequency	G : 5.500±0.01MHz : 6.000±0.01MHz
Audio FM Deviation	50±20kHz
Video to Audio Level Ratio	16±3dB
Video Signal Input Waveform	2Vp-p
Audio Signal Input Waveform	1Vp-p

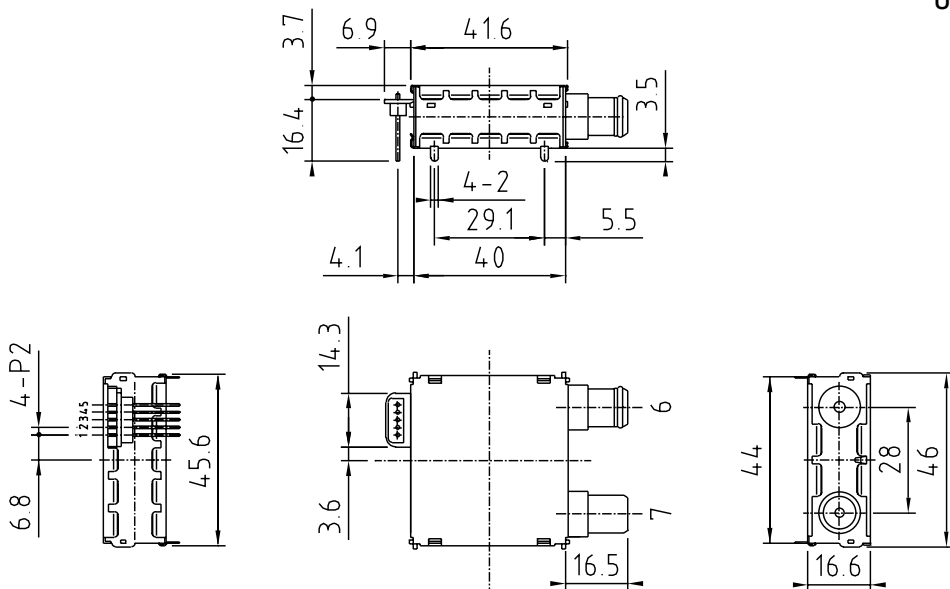
Electrical Specifications (Switch Section)

Video Switching	RF switching
Insertion Loss	3dB (47~862MHz)
V.S.W.R.	3 max. (47~862MHz)
Isolation	65dB (typ.) +B ON 590~598MHz
ANT Leak Voltage	18dBμ max.+B ON
ANT V.S.W.R.	3 max.
TV V.S.W.R.	3 max.

\*Specifications may be changed without notice.

DIMENSIONS

Unit : mm, General tolerance : ±1.0



S=1/2

TERMINALS
1. AUDIO IN
2. GROUND
3. +B
4. I/G SELECT
5. VIDEO IN
6. ANT IN
7. TV OUT

\*For the technical details of the products in this page, please refer to Sales promotion Dept., TOCHIGI MITUMI Co., Ltd Phone: 0283 (23) 3332.