

KEY-OPER. SWITCH CES, WITH KEY MONITORING, 22MM, ROUND, PLASTIC, LOCK NO SSG10, WITH 2 KEYS, 3 SWITCH POSITIONS I-O-II, LATCHING, ACTUATING ANGLE 2X50 DEG, REMOVAL POS. O, WITH HOLDER !!! Phased-out product !!! SIRIUS ACT 3SU1 is successor Preferred successor type is >>3SU1000-5JL01-0AA0 + 3SU1500-0AA10-0AA0<<



Figure similar

<b>Design of the product</b>	Single device round
<b>Enclosure</b>	
<b>Number of command points</b>	1
<b>Actuator</b>	
<b>Design of the operating mechanism</b>	Key-operated switch with key monitoring
<b>Manner of function of the actuating element</b>	Latching
<b>Product extension optional Light source</b>	No
<b>Material of the actuating element</b>	metal
<b>Outer diameter of the actuating element</b>	28.5 mm
<b>Type of unlocking device</b>	key unlatching
<b>Number of switching positions</b>	3
<b>Switch position for key distraction</b>	O
<b>Actuating angle</b>	
• clockwise	50°
• anticlockwise	50°
<b>Lock make</b>	CES
<b>Front ring</b>	

Product component front ring	Yes
Design of the front ring	Standard
Material of the front ring	plastic
Color of the front ring	black

<b>Holder</b>	
Material of the holder	Plastic

<b>General technical data</b>	
<b>Product function</b>	
• EMERGENCY OFF function	No
• EMERGENCY STOP function	No
<b>Protection class IP</b>	IP54
<b>Vibration resistance</b>	
• acc. to IEC 60068-2-6	20 ... 200 Hz: 5g
<b>Operating frequency maximum</b>	1 000 1/h
<b>Mechanical service life (switching cycles)</b>	
• typical	100 000
<b>Reference code acc. to DIN 40719 extended according to IEC 204-2 acc. to IEC 750</b>	S

<b>Connections/Terminals</b>	
Tightening torque of the screws in the bracket	1 ... 1.2 N·m


<b>Safety related data</b>	
<b>B10 value</b>	
• with high demand rate acc. to SN 31920	20 000
<b>Proportion of dangerous failures</b>	
• with low demand rate acc. to SN 31920	20 %
• with high demand rate acc. to SN 31920	20 %
<b>Failure rate [FIT]</b>	
• with low demand rate acc. to SN 31920	100 FIT
<b>T1 value for proof test interval or service life acc. to IEC 61508</b>	20 y




<b>Ambient conditions</b>	
<b>Ambient temperature</b>	
• during operation	-25 ... +70 °C
• during storage	-40 ... +80 °C
Environmental category during operation acc. to IEC 60721	3K6

<b>Installation/ mounting/ dimensions</b>	
<b>Mounting type</b>	front mounting
<b>Shape of the installation opening</b>	round
<b>Mounting diameter</b>	22 mm
<b>Mounting height</b>	64 mm

Installation width	28.5 mm
Installation depth	29 mm

### Certificates/approvals

General Product Approval			Declaration of Conformity	Test Certificates	Marine / Shipping
 CSA	 UL		 EG-Konf.	<a href="#">Special Test Certificate</a>	 ABS

Marine / Shipping	other				
 LRS	 PRS	 RINA	<a href="#">Miscellaneous</a>	<a href="#">Confirmation</a>	<a href="#">Environmental Confirmations</a>

### Further information

**Information- and Downloadcenter (Catalogs, Brochures,...)**

<http://www.siemens.com/industrial-controls/catalogs>

**Industry Mall (Online ordering system)**

<https://mall.industry.siemens.com/mall/en/en/Catalog/product?mlfb=3SB3000-4PD05>

**Cax online generator**

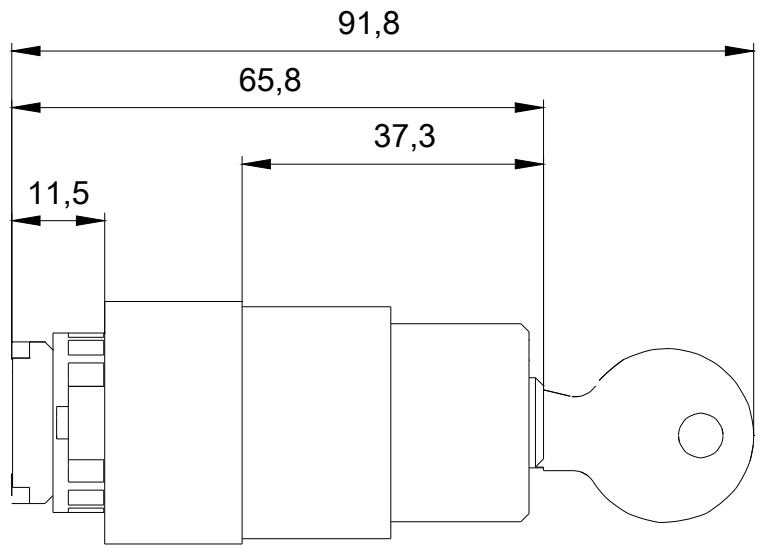
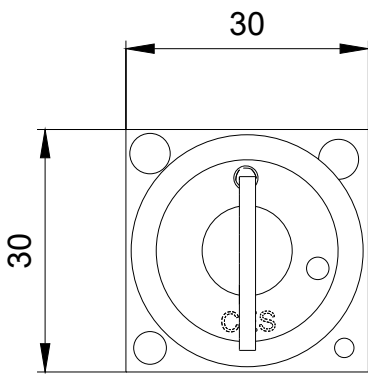
<http://support.automation.siemens.com/WW/CAXorder/default.aspx?lang=en&mlfb=3SB3000-4PD05>

**Service&Support (Manuals, Certificates, Characteristics, FAQs,...)**

<https://support.industry.siemens.com/cs/ww/en/ps/3SB3000-4PD05>

**Image database (product images, 2D dimension drawings, 3D models, device circuit diagrams, EPLAN macros, ...)**

[http://www.automation.siemens.com/bilddb/cax\\_de.aspx?mlfb=3SB3000-4PD05&lang=en](http://www.automation.siemens.com/bilddb/cax_de.aspx?mlfb=3SB3000-4PD05&lang=en)



last modified:

04/26/2018