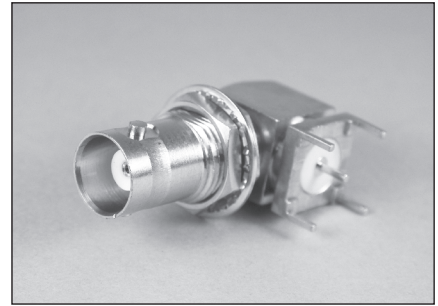
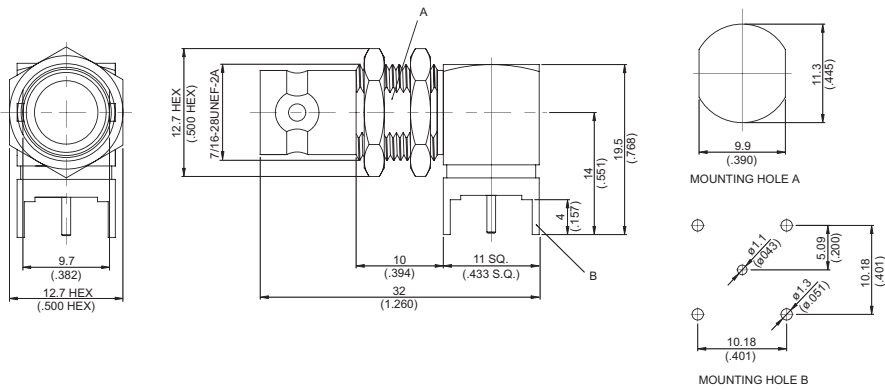
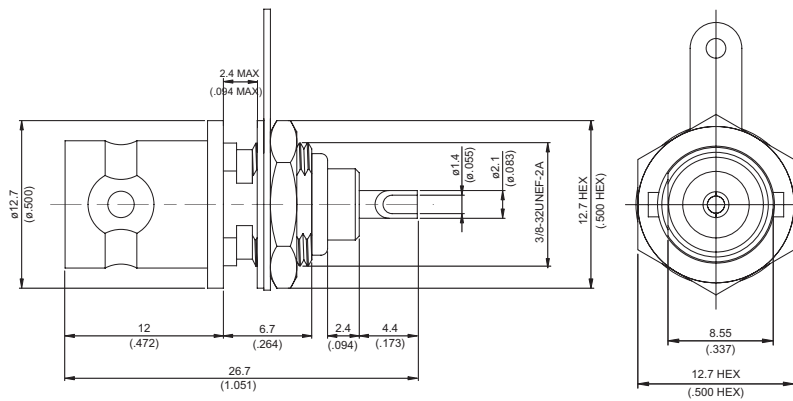


**▶ BNC JACK P.C.B. MOUNT RIGHT ANGLE**



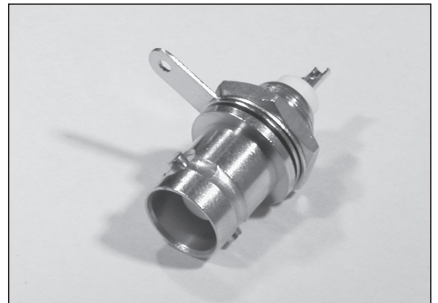
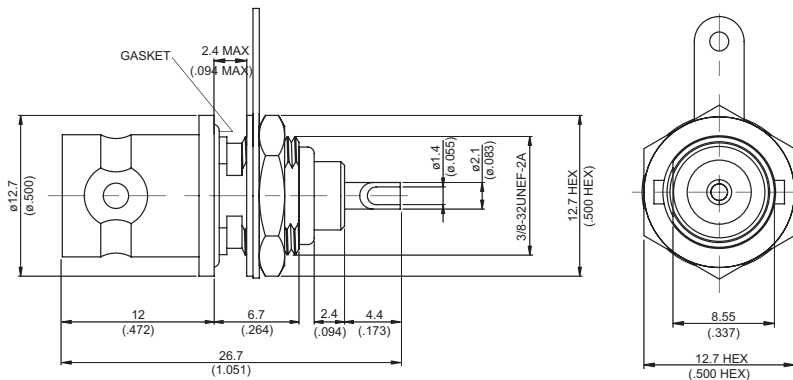
Part Number	Weight	Material	Remarks
BNC84CT-9000	20.92g	C2	
BNC84CT-9075		C2	Impedance=75ohm

**▶ BNC JACK FOR BULKHEAD**



Part Number	M.H.	Weight	Material	Remarks
BNC8550-0000	4	7.46g	C2	No Gasket
BNC8575-0000	4	6.70g	C2	Impedance=75ohm; No Gasket

**▶ BNC JACK FOR BULKHEAD**



Part Number	M.H.	Weight	Material	Remarks
BNC8550B-0000	4	7.38g	C2	With Gasket
BNC8575B-0000	4		C2	With Gasket; Impedance=75ohm

**BNC**