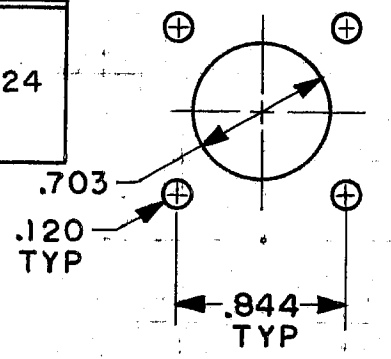
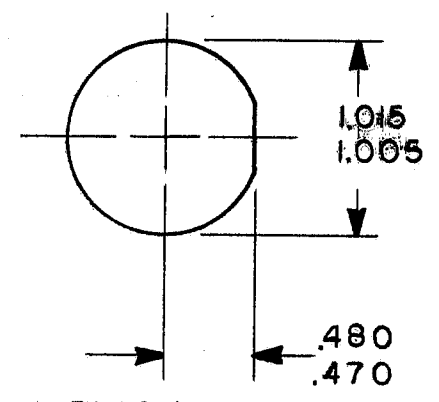


DASH NO	CONN TYPE	A DIM	ASSEMBLE PER
-1	UPL80	1.733	TAI-124
-2	UCJ80	1.590	
-3	UBJ89		
-4	UBJ89F		

5

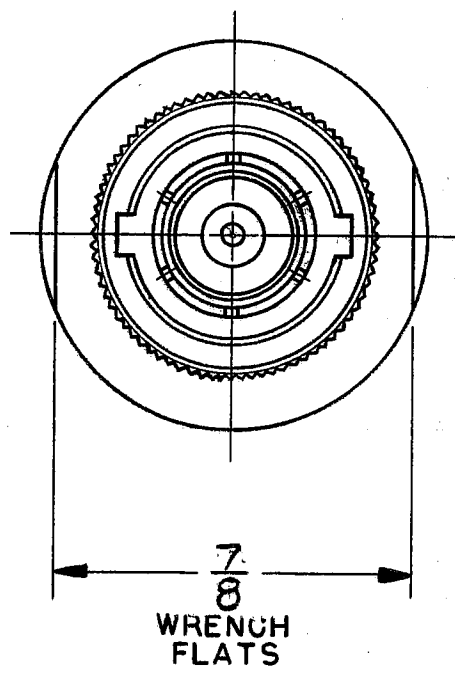


RECOMMENDED
MTG HOLE PATT
FOR -4 ONLY
SCALE: NONE

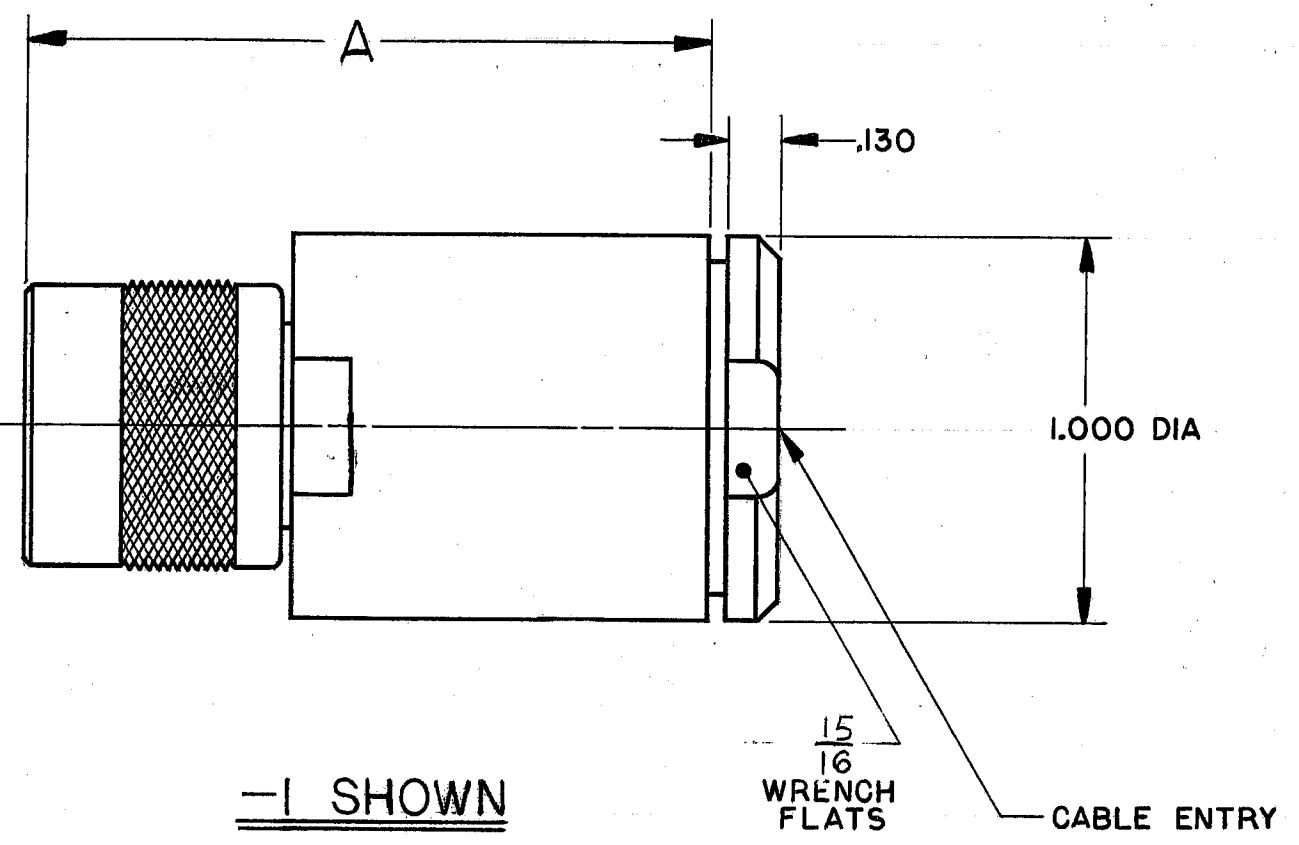


RECOMMENDED
PANEL CUTOFF
FOR -3 ONLY
SCALE: NONE

INCH	MM	INCH	MM
.120	3.05	.703	17.86
.130	3.30	.844	21.44
.141	3.58	1.000	25.40
.250	6.35	1.005	25.53
.328	8.33	1.015	25.78
.470	11.94	1.590	40.39
.480	12.19	1.733	44.02



REVISIONS			3005-0384		SH 1
REV	EO	DESCRIPTION	DWN	APPROVED	DATE
A	5565	ADDED -2, -3, -4, -1 WAS BASIC	DKC	<i>R. T. W.</i>	8-16-82
B	5949	REV PER EO	RJS	<i>J. T. W.</i>	7-28-83
C	15860	WRENCH FLAT WAS 15/16	AAH	<i>K. H. S. B. S.</i>	6/17/05



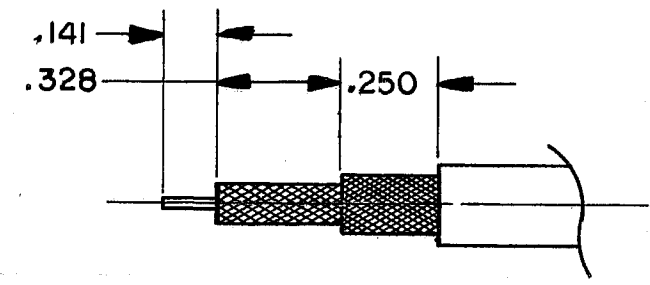
5 SPECIAL STRIPPING REQD STRIP CABLE AS SHOWN

4 MAX PANEL THK .250, FOR -3 & -4 ONLY

3. MALE/FEMALE 75 OHM CONCENTRIC TWINAX / TRIAX "C" STYLE CABLE PLUG / CABLE JACK / BULKHEAD JACK FOR BELDEN CABLE #9232 & 9192

2. FINISH: TFS-1A (NICKEL)

1. ALL DIM ARE REF IN INCHES



CABLE STRIPPING

QTY	DESCRIPTION		PART NUMBER	ITEM
	TOL UNLESS SPECIFIED .XX ± .XXX ± .XXXX ± ANGLES ±		TROMPETER ELECTRONICS, INC.	UPL80/UCJ80/UBJ89/ UBJ89F-9232 / 9192
DWN	MAQ	6-8-79	MATERIAL	CODE IDENT
CHK	<i>[Signature]</i>	7-10-79	14949	DRAWING NO.
ENGR	<i>[Signature]</i>	7-13-79	3005-0384	REV
APPR	<i>[Signature]</i>	7-13-79	SCALE 2/1	DATE 7-13-79
NEXT ASSY			SHEET	1 OF 2