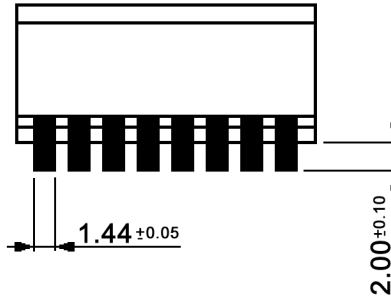
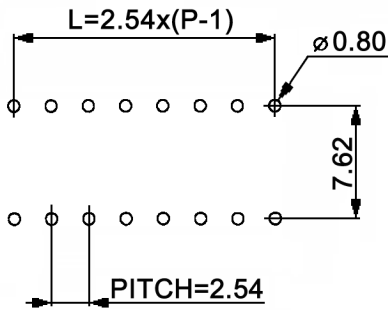
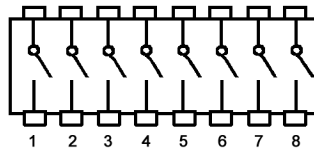


DRILLING PLAN



SCHEMATIC



Part No.	Poles	A	pcs. / tube
DBP 3101	1	3.54	148
DBP 3102	2	6.08	85
DBP 3103	3	8.62	61
DBP 3104	4	11.16	47
DBP 3105	5	13.70	38
DBP 3106	6	16.24	32
DBP 3107	7	18.78	28
DBP 3108	8	21.32	24
DBP 3109	9	23.86	22
DBP 3110	10	26.40	20
DBP 3112	12	31.48	16

Specifications:

Contact rating: switching: 25mA, 24V DC
 non-switching: 100mA, 50V DC
Contact resistance: 50mOhm max.
Insulation resistance: 100MOhm min. at 500V DC
Dielectric strength: 500V, 50Hz for the duration of 1 minut
Operating temperature: -40°C to +85°C
Storage temperature: -40°C to +85°C
Mechanical life: 5 000 cycles min.
Electrical life: 2 000 cycles (25mA, 24V DC)
Soldering conditions: auto-soldering: max.: 260°C, 5sec.
Mounting: on pc-board
Slide position: off
Material:

Cover: thermoplastic PBT, UL94V-0, red
 Base: thermoplastic PA66, UL94V-0, black
 Piano actuator: thermoplastic PA66, UL94V-0, white
 Contact: copper alloy, 0.025µm gold plated
 Terminal: copper alloy, tin plated



Tolerances: 0.1-1.0: ±0.05mm 1.0-5.0: ±0.10mm 5.0-10.0: ±0.20mm upper 10.0: ±0.20mm	Date	Name
	01/04	us
Revised	02/12	dr
Drilling plan	11/11	dr
More models added	10/11	dr
Tolerances	03/09	dr
RoHS compliant	06/06	dr
Modifications	Date	Name

DBP 31xx

knitter-switch

30 04 18

Page

1/1