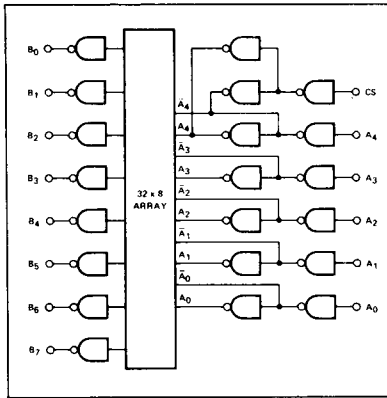


SPEED/PACKAGE AVAILABILITY

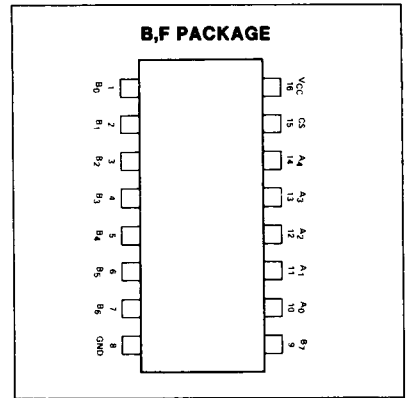
74 B,F

NOTE: For specific electrical data, refer to 82S23/123 data sheet in Memories section.

LOGIC DIAGRAM



PIN CONFIGURATION



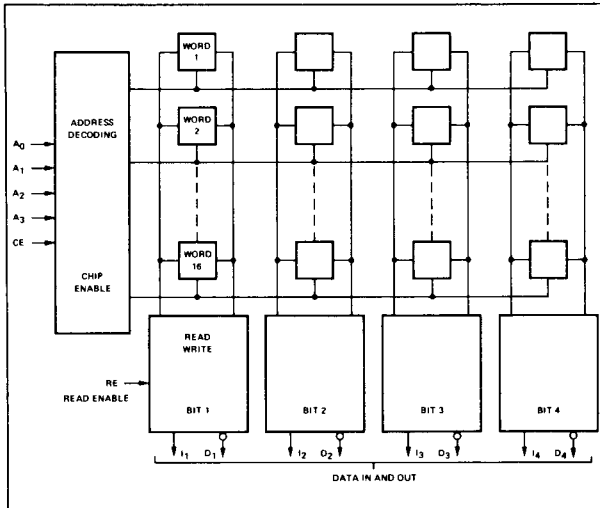
64-BIT READ/WRITE MEMORY (RAM)

SPEED/PACKAGE AVAILABILITY

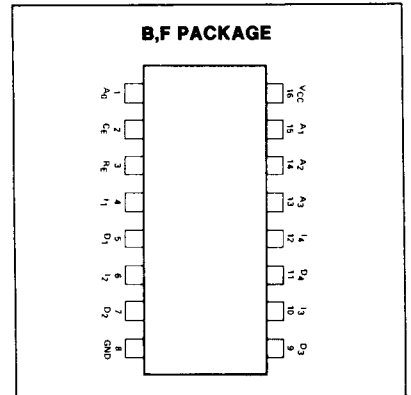
74 B,F

NOTE: For specific electrical data, refer to 82S23/123 in Bipolar Memories section.

LOGIC DIAGRAM



PIN CONFIGURATION



LOGIC