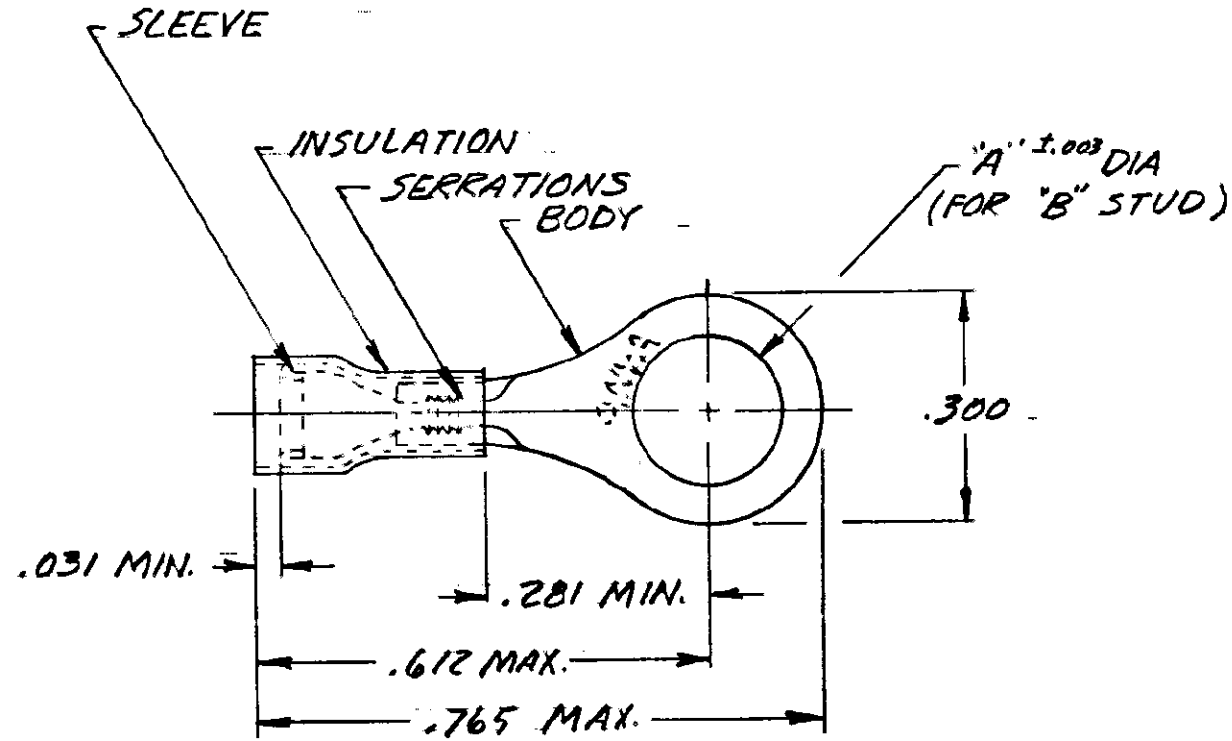


© COPYRIGHT 1968 BY AMP INCORPORATED, HARRISBURG, PA.
 ALL INTERNATIONAL RIGHTS RESERVED. AMP INCORPORATED PRODUCTS
 COVERED BY U. S. AND FOREIGN PATENTS AND/OR PATENTS PENDING.

		REVISIONS				
P	F	ZONE	LTR	DESCRIPTION	DATE	APPROVED
✓	✓		D	REDRAWN PER P-7000 RB	6-11-79	JLZ
✓	✓		E	INACTIVATED -2 P-9381	4-27-82	JPA
✓	✓		F	OBS. -2 REV G2588	10-9-87	PMF
✓	✓		G	ADDED -3 WAS 90-3086-1	6/15/90	BKS/DFC
✓	✓		H	REACTIVATED -2 PER G-5540	7/6/90	WBF/...
			J	REV/0720-0056-96	6-26-96	MG/TM



FOR .050 TO .082 WIRE INS. DIA.
 TONGUE MAT'L THICKNESS = .018 ±.002

MILITARY RANGE: 26-24
 COMMERCIAL RANGE: 26-22

⚠ SUPERSEDED BY 52124-1

"B"	"A"	QTY	DESCRIPTION	PT. NO ON TAPE	MATERIAL & FINISH	PART NO
#10	.197	1	WIRE TERMINAL	52124-3 ⚠	BODY: COPPER (QQ-C-576) TIN PL (MIL-T-10727) SLEEVE: COPPER (QQ-C-576) TIN PL. (MIL-T-10727)	52124-1
#8	.171	1		52124-2	INSULATION: NYLON (MIL-M-20693) TYPE I COLOR: YELLOW	52124

UNLESS OTHERWISE SPECIFIED DIMENSIONS ARE IN INCHES TOLERANCES ON: DECIMALS ± .000 ANGLES ± 5°	CONTRACT NO	AMP INCORPORATED Harrisburg Pa	
	DR R. BROWN 6-11-79	NAME TERMINAL	
	CHK J. M. ... 6/11/79	PIDG - NYLON - RING TONGUE	
	APPD	WIRE SIZE: 26-22	
MATERIAL (SEE TABLE)	APPD	SIZE B	CODE IDENT NO 00779
FINISH (SEE TABLE)	DSGN APPD J. M. ... 6-2-79	NUMBER	52124
	OTHER APPD	SCALE N.T.S.	SHEET 1 OF 1