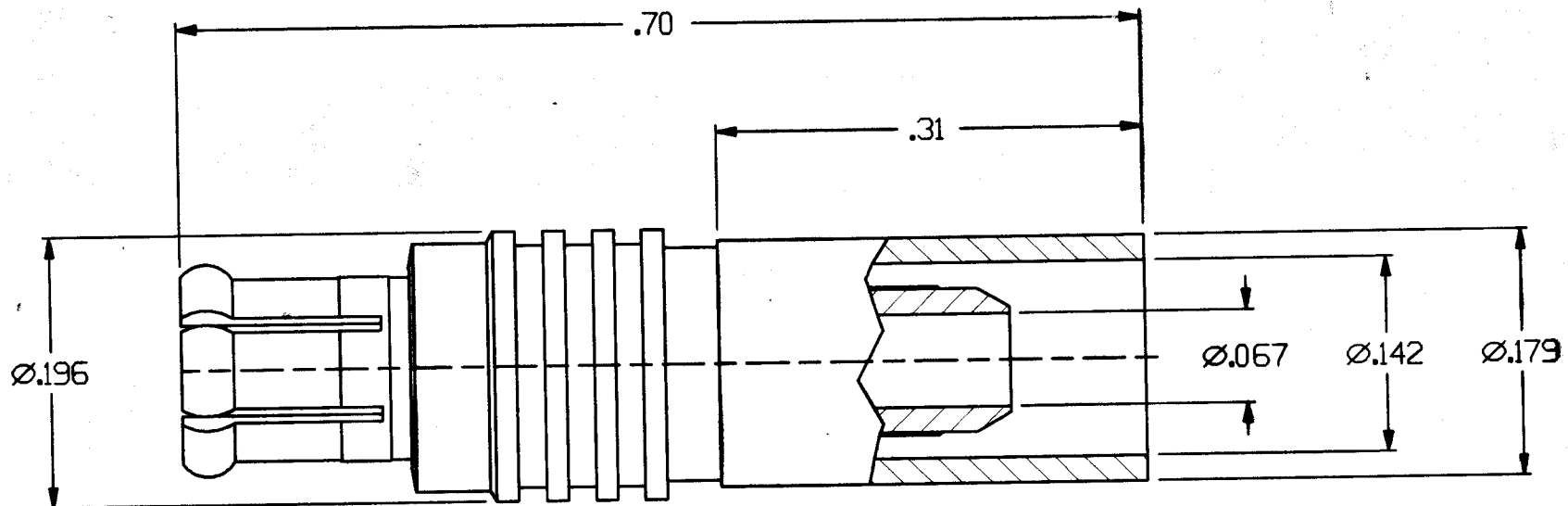


CAD DRAWING - NO MANUAL REVISIONS



NOTES:

1. ACCOMMODATES M17/152 CABLE OR RG-316 DOUBLE SHIELD EQUIVALENT.
3. DIE SIZE .151 (M22520/5-37).
3. DESIGN AND INTERFACE PER I.D.S.-13.

E	PER ECN 3591	10/24/96	HN	<b>PALCO CONNECTOR</b> 22 GREAT HILL RD., NAUGATUCK, CT 06770 UNLESS OTHERWISE SPECIFIED, PALCO WORKMANSHIP STANDARDS APPLY TOLERANCES ON: DECIMALS .XX ±.01 .XXX ±.005 ANGLES ±1/2° 32' DIMENSIONS IN INCHES OR (METRIC) DO NOT SCALE PRINTS	DRAWN JEM	CHECKED HN	ENGINEER JEM	APPROVED HN	FSCM 58167
D	PER ECN 3412	04/15/96	HN		DESCRIPTION PCX STRAIGHT PLUG DIRECT SOLDER				
C	PER ECN 3183	10/25/95	HN		DATE 10/15/93	DRAWING NO. 13-0900-2670 B/M/N			
B	PER ECN 2676	11/28/94	HN						
A	RELEASE	05/09/94	HN						
REV.	DESCRIPTION	DATE	APPR.						

THE INFORMATION IN THIS DOCUMENT IS CONFIDENTIAL AND PROPRIETARY AND MAY NOT BE USED FOR ANY PURPOSE WITHOUT THE WRITTEN CONSENT OF PALCO.