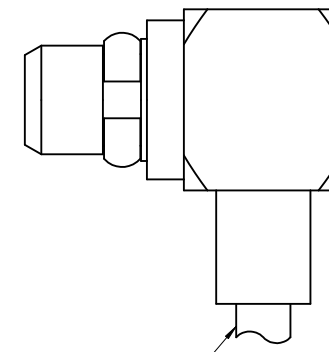
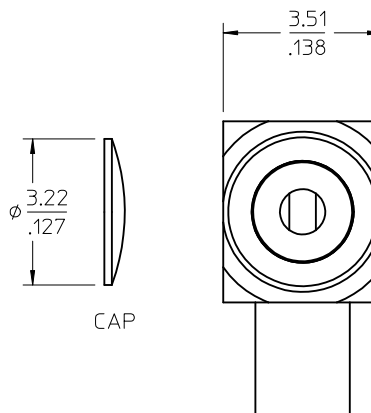
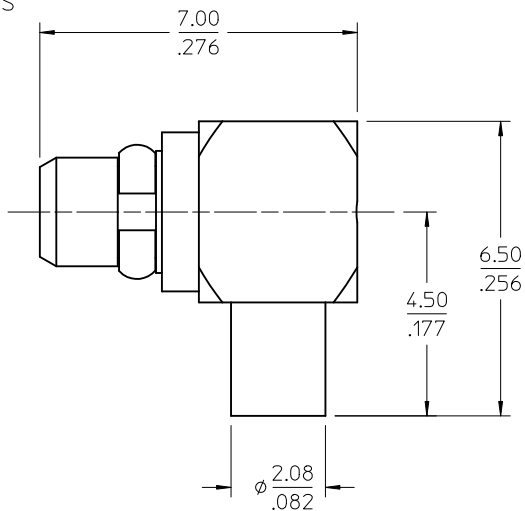
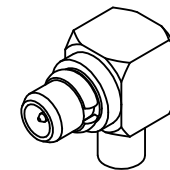


MATERIALS AND FINISHES

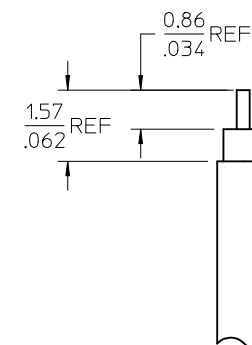
BODY, CAP: BRASS
PLATED GOLD

CENTER CONTACT: BRASS
PLATED GOLD

INSULATOR: TEFLON



.047 CONFORMABLE OR
SEMI RIGID CABLE



CABLE STRIP
DIMENSIONS

PS-89675-1920	ELECTRO/MECH PERFORM.
SPECIFICATION	DESCRIPTION

73415-2152	73415-2151, ONE PER BAG	FLASH	30u"
73415-2151	PER COMMERIAL REQUIREMENTS, BULK	FLASH	30u"
73415-2150	PER MILITARY REQUIREMENTS, BULK	30u"	50u"
PART NO.	PLATING AND PACKAGING	BODY, CAP, RING	CONTACT
		GOLD THICKNESS	GOLD THICKNESS

CHG: ADD GOLD THICKNESS DELETE INTERFACE SPECIFICATION PS WAS -1930 EC NO: URF2011-0341 DRWN: WIENER 2010/12/16 CHKD: SSS 2010/12/16 APPR: WIENER 2010/12/17 A1	QUALITY SYMBOLS ▼=0 ▽=0	DESCRIPTION REV	GENERAL TOLERANCES (UNLESS SPECIFIED)		DIMENSION STYLE	SCALE	DESIGN UNITS	THIRD ANGLE PROJECTION	
					MM/IN	METRIC	☉		
					DRAWN BY DATE	TITLE			
					CHECKED BY DATE				
		APPROVED BY DATE							
		MATERIAL NO.	DOCUMENT NO.	SHEET NO.					
		SEE TABLE	SD-73415-215	1 OF 1					
DRAFT WHERE APPLICABLE MUST REMAIN WITHIN DIMENSIONS					THIS DRAWING CONTAINS INFORMATION THAT IS PROPRIETARY TO MOLEX INCORPORATED AND SHOULD NOT BE USED WITHOUT WRITTEN PERMISSION				