

SABRITEC

SMP-SERIES COAXIAL CONNECTORS

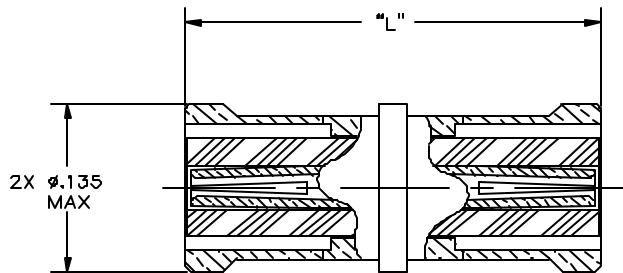
SMP COAXIAL CONNECTOR SERIES

Sabritec's SMP Coax Connector line features a snap-in vibration proof connection, suitable for high shock mobile applications and space level connector requirements of extreme random vibration, thermal shock and outgassing environments. Frequency range is DC-40 GHz with low VSWR and insertion loss (dB) parameters of $0.10\sqrt{F}(\text{GHz})$ dB max. The extremely small package size allows for high density board to board applications. Blind mate SMP connectors are available in smooth bore for maximum float of mating (0.015" radial and axial misalignment between mating planes). The full and limited detent SMP connections are suitable for mobile applications, with extreme shock and vibration requirements. These connectors meet or exceed the applicable requirements of DESC drawing number 94007 and 94008.

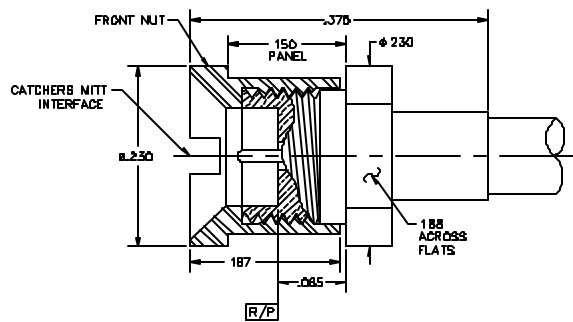


SMP Coaxial Connectors

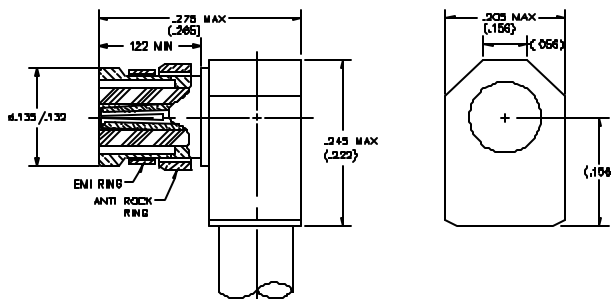
SMP ADAPTERS/ CABLE MOUNT CONNECTORS



SMP Adapter Socket to Socket
(See Table for Part Numbers)



SMP PIN for RG-405 Cable P/N 019909-5002



R/A SMP Socket for RG-405 Cable P/N 019909-2002

Adapter Lengths Table

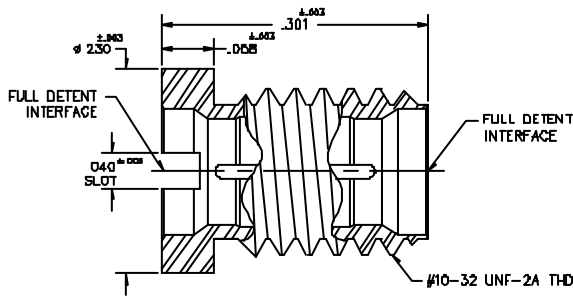
L = Overall Length

Length	Sabritec P/N
0.254	019909-4000
0.395	019909-4001
0.484	019909-4002
0.569	019909-4003

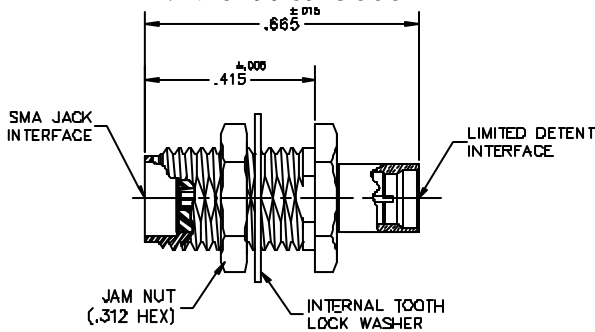
Features and Benefits

- ◆ Meets extreme shock and high vibration requirements
- ◆ Snap in connection
- ◆ Durable light weight construction
- ◆ Ideal for High Density Packaging
- ◆ Full and Limited Detent Locking
- ◆ Blind-Mate Smooth Bore series available
- ◆ Space approved SMP Connectors Available
- ◆ Permits high density board to board connections
- ◆ Gold Plated Contact Members

SMP ADAPTERS

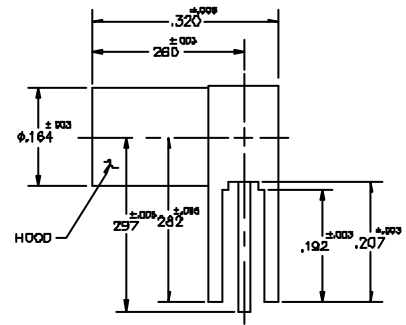


SMP PIN Thread in Mount
P/N 019909-5000

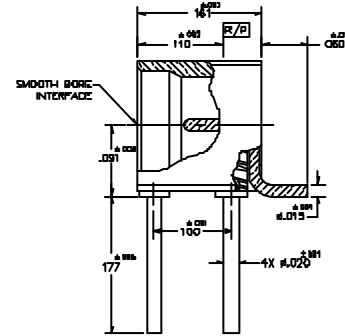


SMA Jack to SMP PIN P/N 019909-4005
(Between Series Adapter)

PCB CONNECTORS



SMP R/A PCB Mount P/N 019909-1000



SMP PIN Right Angle PCB Mount
P/N 019909-1001

SPECIFICATIONS

Electrical Characteristics

Impedance:	50-ohm constant air line
Frequency Range:	DC to 40 GHz impedance
VSWR:	DC to 26.5 GHz 1.15: max. 26.5 to 40GHz 1.5:1 max.
DWV:	500 VRMS @ sea level
Insulation Resistance:	1000 megaohms min.
Voltage Rating:	500 VRMS @ sea level

Interconnect Configurations

Flange Mount
Right Angle Flange Mount
Thread-In Box Mount
Press-In Flange Mount
PCB Mount, R/A & Straight
Cable Connectors, Semi-Rigid & Flexible RG Cables

Mechanical & Environmental Specifications

Temperature Rating:	-65° to +165°C	
Corrosion:	MIL-STD-202 Method 101, Test Condition B	
Shock:	MIL-STD-202 Method 213, Test Condition I	
Vibration:	MIL-STD-202 Method 204, Test Condition D	
Thermal Shock:	MIL-STD-202 Method 107, Test Condition B	
Durability:	100 cycles min.	
Force to Engage:	Full Detent:	15 pounds max.
	Limited Detent:	10 pounds max.
	Smooth Bore:	2 pounds max.
Force to Disengage:	5 pounds min. (full detent) 2 pounds min. (limited detent) 0.5 pound min (smooth bore)	

Materials and Finishes Gold Version

Outer Conductor:	Beryllium Copper per ASTM B196, gold plated per ASTMB196, gold plated per MIL-G-45204, Type 2, Class I
Center Conductor:	Beryllium Copper per ASTMB196, gold plated per MIL-G-45204, outer & center contacts Type 2, Class 1
Dielectric Material:	PTFE per ASTM D-1710