

Flex system (wired LED's)

Technical Data	
Housing Material	PC schwarz / PC black UL94
LL-Material	PMMA
Lens Material	PC farblos / PC colourless UL94
Ambient Temperature	-40°C ... +85°C
ESD-Protection	> 12 kV

The housing is designed for accommodating Ø2 mm light guides, i.e. 2000 µm fibres, and on request 1000 µm fibres with a black coating are used. The housing can be used upright or lying flat. Towards the front panel, the light guide fibre is provided with a lens. The lens is press-fitted in the front panel. The light guide is used in conjunction with a wired LED. Special lengths are possible on request. Delivery: Housing, LL and lens are not assembled.

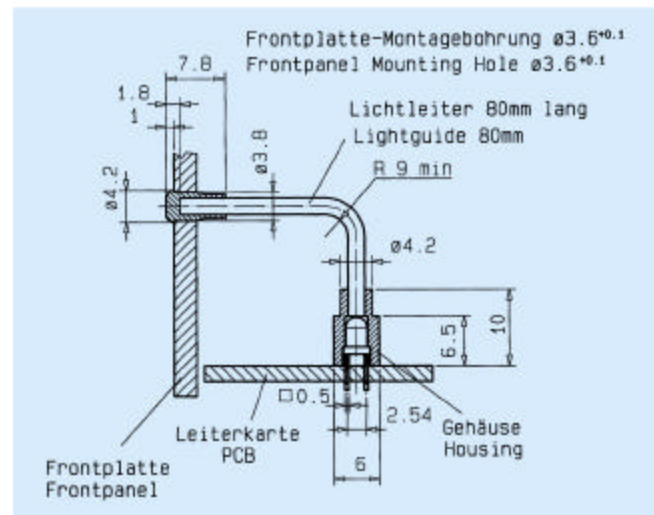


LED Type	LED Color	Part #
A63	red	90-1316-2001
A64	yellow	90-1316-7001
A65	green	90-1316-8001

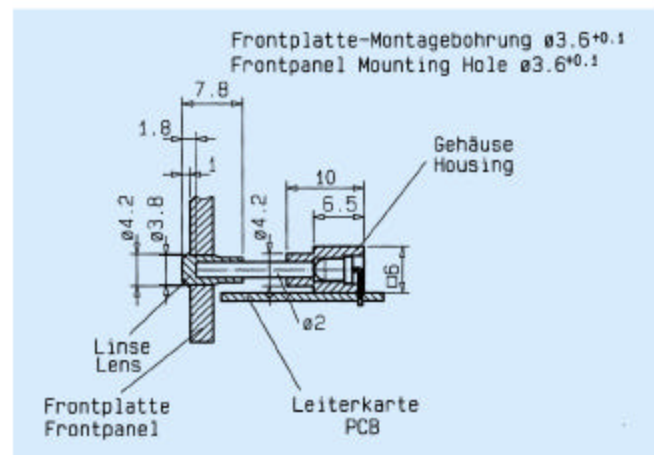
incl. LED

LED Type	LED Color	Part #
A63	red	On request
A64	yellow	On request
A65	green	On request

incl. LED



Einbaubeispiel / Mounting Example



Einbaubeispiel / Mounting Example