

MATERIALS AND FINISHES:

BODY, PRESS RING, CAP: BRASS
 PLATED GOLD (30μ-in MIN) OVER NICKEL (100μ-in MIN)
 CENTER CONTACT: BERYLLIUM COPPER
 PLATED GOLD (30μ-in MIN) OVER NICKEL (100μ-in MIN)
 POST: STAINLESS STEEL
 PASSIVATED
 INSULATOR: POLYAMIDE IMIDE

MECHANICAL DATA:

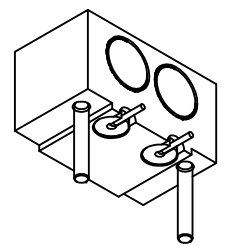
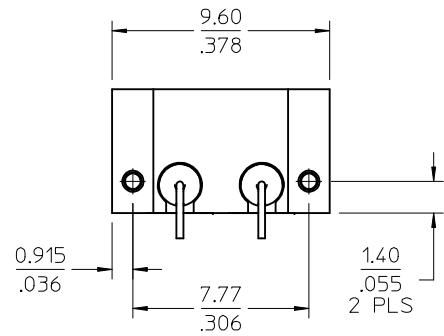
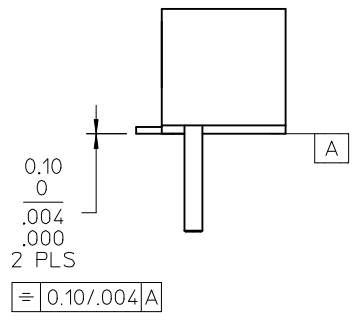
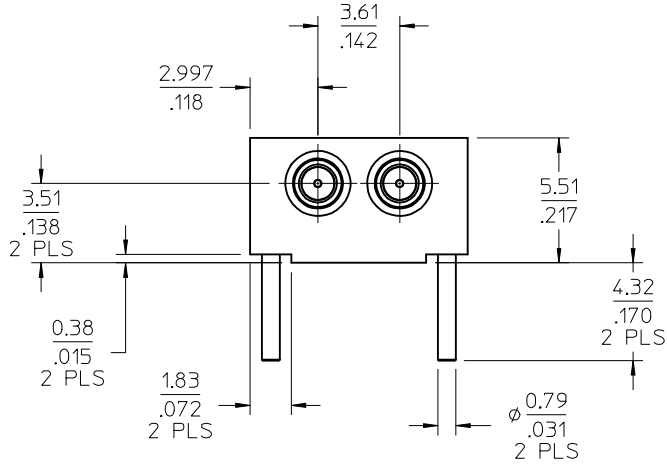
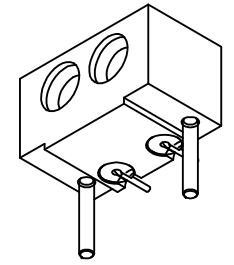
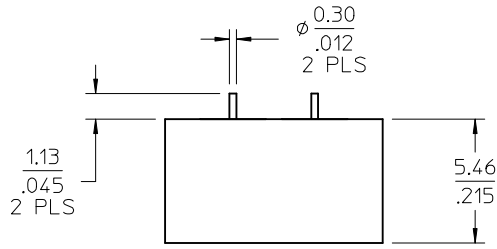
CONNECTOR DURABILITY 500 CYCLES
 SMOOTH BORE
 ENGAGEMENT FORCE 2.5 LBS TYP
 DISENGAGEMENT FORCE 2.5 LBS TYP

ELECTRICAL DATA:

IMPEDANCE 50 OHMS
 FREQUENCY DC TO 33 GHz
 RETURN LOSS
 ≥20dB DC TO 12GHz
 ≥9dB 12GHz TO 25GHz
 ≥5dB 25GHz TO 33GHz
 INSERTION LOSS
 ≤0.1 X f(GHz) dB, DC TO 18GHz
 CENTER CONTACT RESISTANCE ≤6.0 MILIOHMS TYP
 OUTER CONTACT RESISTANCE ≤2.0 MILIOHMS MAX
 WORKING VOLTAGE (AT SEAL LEVEL) 325 Vrms

ENVIRONMENTAL DATA:

TEMPERATURE RANGE -55°C TO +155°C
 THERMAL SHOCK MIL-STD-202, METHOD. 107, CONDITION B
 VIBRATION MIL-STD-202, METHOD. 204, CONDITION D
 SHOCK MIL-STD-202, METHOD. 213, CONDITION I
 MOISTURE RESISTANCE MIL-STD-202, METHOD. 106, EXCEPT STEP 7b
 MAX. SOLDERING TEMPERATURE IEC 61760-1, +260°C FOR 10 SEC
 2002/95/EC (ROHS) COMPLIANT



73300-0580	TAPE AND REEL
PART NO	PACKAGING
MIL-STD-348B, FIG. 328.3	INTERFACE
SPECIFICATION	DESCRIPTION

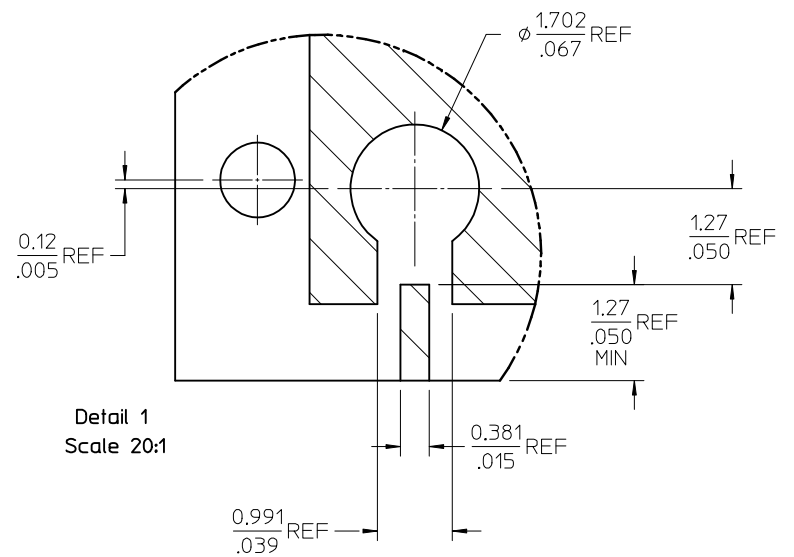
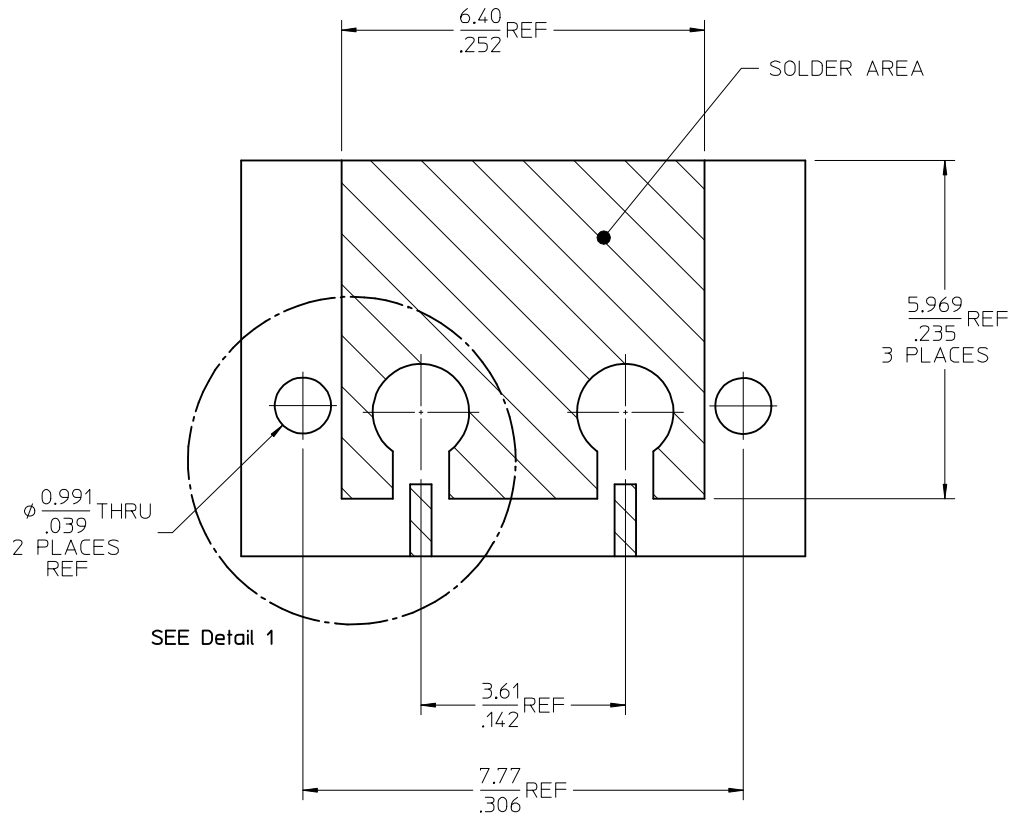
CHG:ADDED PACKING SHEETS PER R/F16-E013 EC NO: URF2016-0507 DR:WINRYEH CHKD: APPR:YCHENG 2015/10/12 2016/02/02	QUALITY SYMBOLS	DESCRIPTION
	▽=0	
	▽=0	
	▽=0	
REV: A1		

GENERAL TOLERANCES (UNLESS SPECIFIED)	DIMENSION STYLE
mm INCH	MM/IN
4 PLACES ± --- ± ---	DRAWN BY DATE
3 PLACES ± --- ± .010	LMEIER 2015/02/05
2 PLACES ± 0.25 ± ---	CHECKED BY DATE
1 PLACE ± --- ± ---	AZR 2015/09/04
0 PLACE ± --- ± ---	APPROVED BY DATE
	AROBERSON 2015/09/04
ANGULAR ± 2 °	MATERIAL NO.
DRAFT WHERE APPLICABLE MUST REMAIN WITHIN DIMENSIONS	SEE TABLE

SCALE	DESIGN UNITS	THIRD ANGLE PROJECTION
6:1	INCH	
TITLE		
SMPM PLUG SMOOTH BORE R/A 2 PORT PCB SMT SMPM-P/PCB EWR-5519		
DOCUMENT NO.		
SD-73300-058		
SHEET NO.		
1 OF 4		

THIS DRAWING CONTAINS INFORMATION THAT IS PROPRIETARY TO MOLEX INCORPORATED AND SHOULD NOT BE USED WITHOUT WRITTEN PERMISSION		
---	--	--

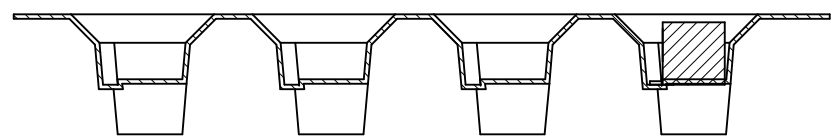
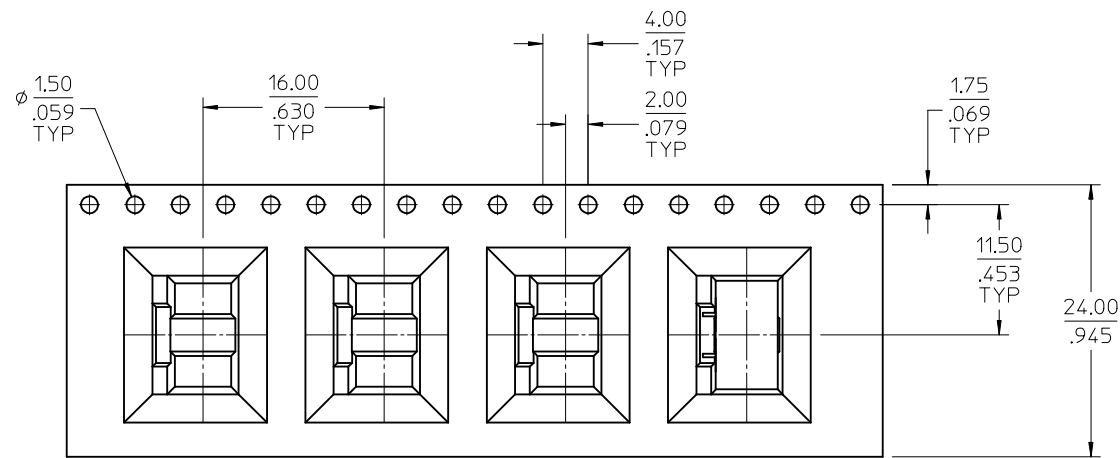
RECOMMENDED PCB LAYOUT



CHG:SEE SHEET 1 EC NO: URF2016-0507 DRW:RYEH 2015/10/12 CHKD: APPR:YCHENG 2016/02/02	QUALITY SYMBOLS	GENERAL TOLERANCES (UNLESS SPECIFIED)	DIMENSION STYLE	SCALE	DESIGN UNITS	THIRD ANGLE PROJECTION
	▽=0 ▽=0 ▽=0	mm INCH	MM/IN	INCH	INCH	
REV: A1	DESCRIPTION	4 PLACES ± --- ± ---	DRAWN BY DATE	TITLE	DOCUMENT NO.	SHEET NO.
		3 PLACES ± --- ± .010	LMEIER 2015/02/05			
		2 PLACES ± 0.25 ± ---	CHECKED BY DATE	THIS DRAWING CONTAINS INFORMATION THAT IS PROPRIETARY TO MOLEX INCORPORATED AND SHOULD NOT BE USED WITHOUT WRITTEN PERMISSION		
		1 PLACE ± --- ± ---	AZROBERTSON 2015/09/04			
		0 PLACE ± --- ± ---	APPROVED BY DATE			
	ANGULAR ± 2 °	MATERIAL NO.	SEE TABLE			
	DRAFT WHERE APPLICABLE MUST REMAIN WITHIN DIMENSIONS	SIZE C				

13 12 11 10 9 8 7 6 5 4 3 2 1

J
I
H
G
F
E
D
C
B
A



CHG:SEE SHEET 1
EC NO: URF2016-0507 2015/10/12
DRAWN:YEH
CHKD:
APPR:YCHENG 2016/02/02

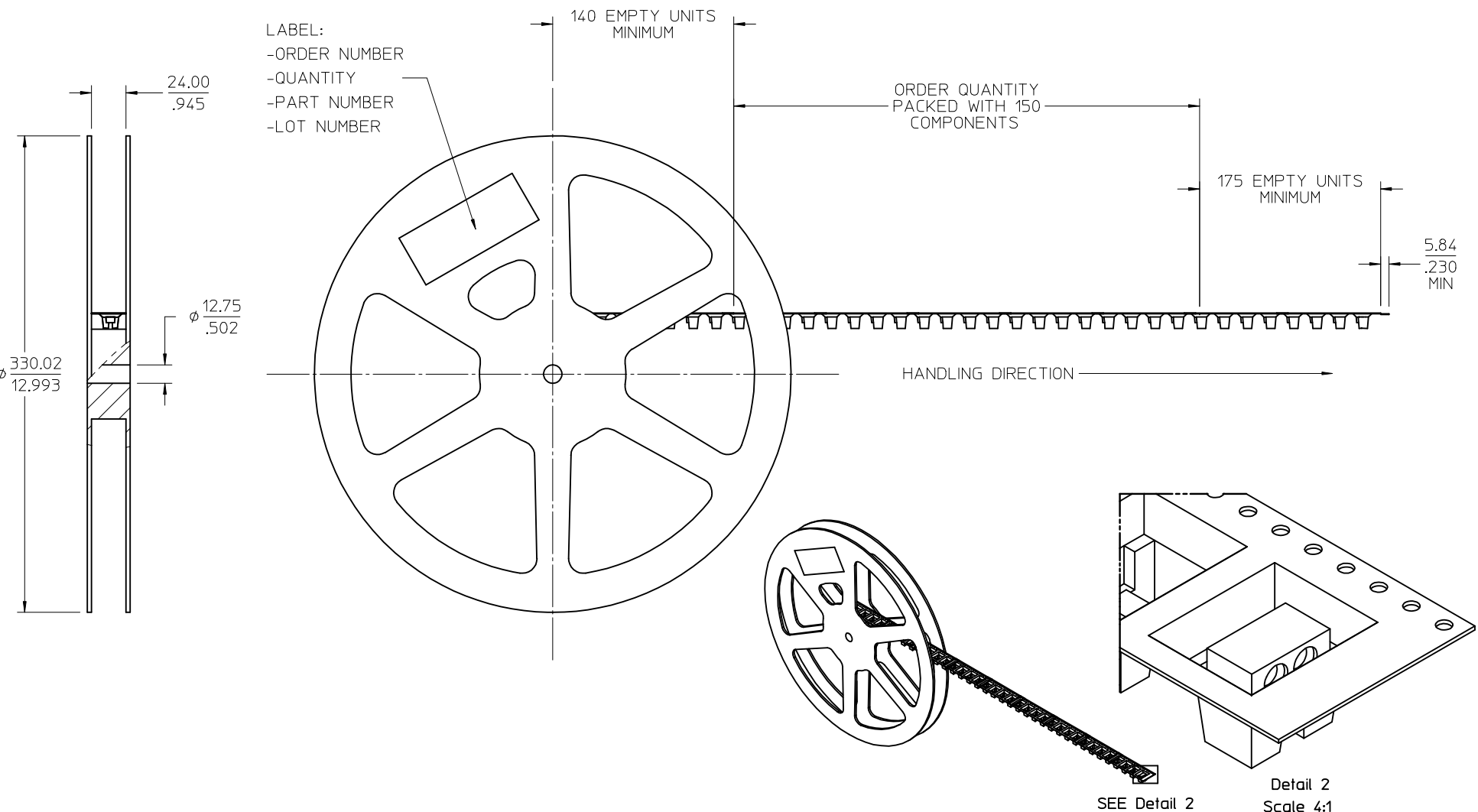
REV	DESCRIPTION
A1	

QUALITY SYMBOLS	
	=0
	=0
	=0

GENERAL TOLERANCES (UNLESS SPECIFIED)	
	mm
	INCH
4 PLACES	± .010
3 PLACES	± .010
2 PLACES	± 0.25
1 PLACE	± .010
0 PLACE	± .010
ANGULAR ± 2°	
DRAFT WHERE APPLICABLE MUST REMAIN WITHIN DIMENSIONS	

DIMENSION STYLE		SCALE	DESIGN UNITS	THIRD ANGLE PROJECTION
MM/IN		3:1	INCH	
DRAWN BY	DATE	TITLE SMPM PLUG SMOOTH BORE R/A 2 PORT PCB SMT SMPM-P/PCB EWR-5519		
LMEIER	2015/02/05			
CHECKED BY	DATE			
AZR	2015/09/04			
APPROVED BY	DATE			
AROBERTSON	2015/09/04	MATERIAL NO.	DOCUMENT NO.	SHEET NO.
SEE TABLE			SD-73300-058	3 OF 4
THIS DRAWING CONTAINS INFORMATION THAT IS PROPRIETARY TO MOLEX INCORPORATED AND SHOULD NOT BE USED WITHOUT WRITTEN PERMISSION				

Ib_frame_C_P_AM_T Rev. G 2012/01/11 12 11 10 9 8 7 6 5 4 3 2 1



CHG:SEE SHEET 1 EC NO: URF2016-0507 DRAWN:YEH CHKD: APPR:YCHENG 2015/10/12 2016/02/02	QUALITY SYMBOLS	GENERAL TOLERANCES (UNLESS SPECIFIED)	DIMENSION STYLE	SCALE	DESIGN UNITS	THIRD ANGLE PROJECTION
	▽=0	mm INCH	MM/IN	1:2	INCH	
	▽=0	4 PLACES ± --- ± ---	DRAWN BY DATE	TITLE	SMPM PLUG SMOOTH BORE	
	▽=0	3 PLACES ± --- ± .010	CHECKED BY DATE	R/A 2 PORT PCB SMT		SHEET NO.
	2 PLACES ± 0.25 ± ---	1 PLACE ± --- ± ---	AZROBERTSON 2015/09/04	SMPM-P/PCB EWR-5519		4 OF 4
	1 PLACE ± --- ± ---	0 PLACE ± --- ± ---	APPROVED BY DATE	molex		
	ANGULAR ± 2°		AROBERTSON 2015/09/04	DOCUMENT NO. SD-73300-058		
		DRAFT WHERE APPLICABLE MUST REMAIN WITHIN DIMENSIONS	MATERIAL NO.	SEE TABLE		
A1			SIZE	THIS DRAWING CONTAINS INFORMATION THAT IS PROPRIETARY TO MOLEX INCORPORATED AND SHOULD NOT BE USED WITHOUT WRITTEN PERMISSION		