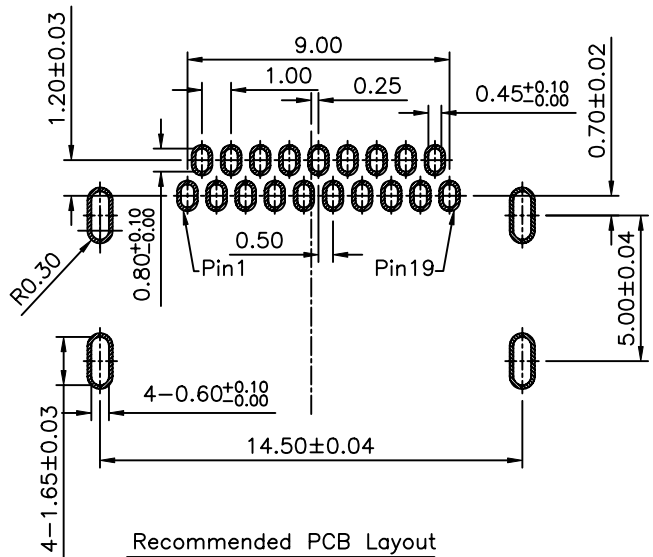
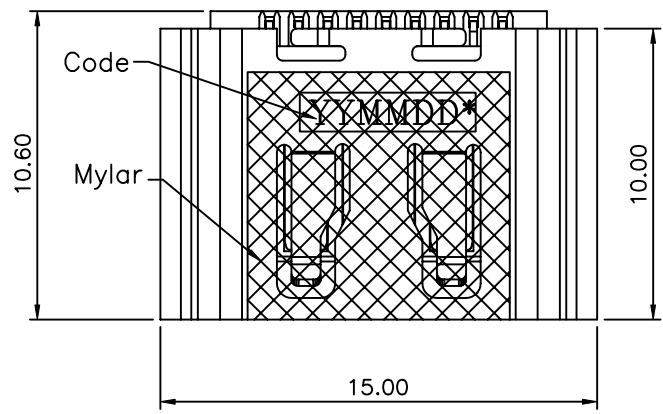
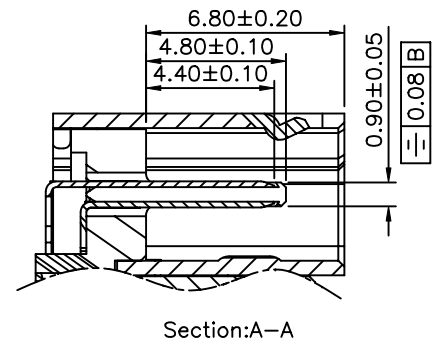
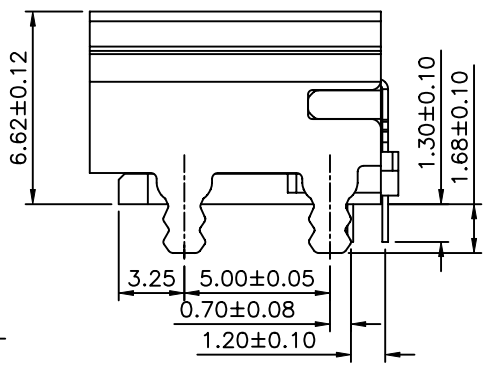
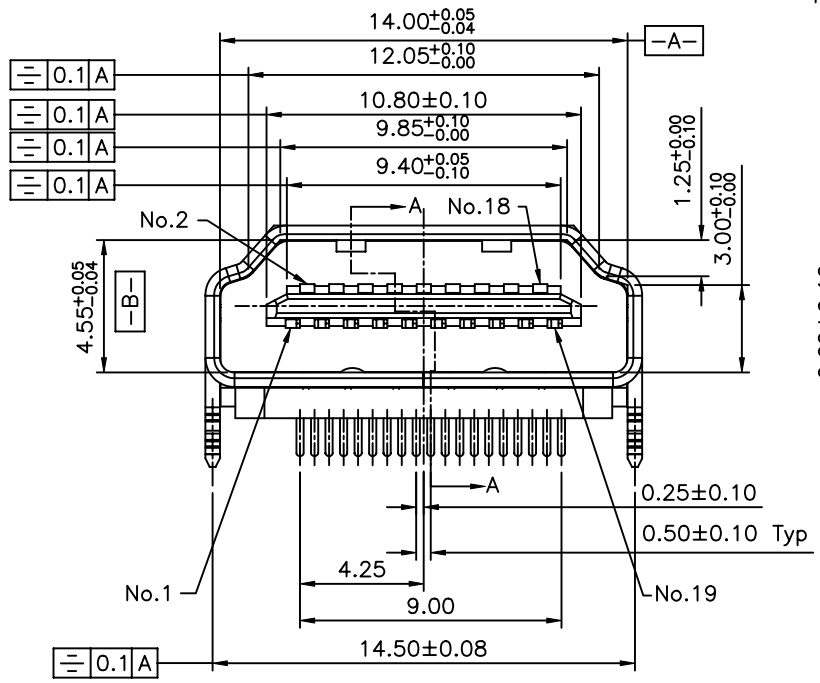


SPECIFICATION
 Housing: High Temp. Thermoplastic, UL94V-0, Black Color
 Contact: Phosphor Bronze, Thickness=0.20mm
 Shield: Brass, Thickness=0.50mm, Nickel Under Plated
 Terminal Retention Force To Be 0.3kgf Min
 Terminal Cut-Off Burr To Be 0.05 Max
 Mylar: 9*9*0.06
 Data Code: YMMDD*(*: Class A, B, C)
 RoHS Compliant



Recommended PCB Layout
 PCB(T=1.20±0.05)



No	Name	Material Finish/Color	Q'ty
01	Housing	LCP, Black UL94V-0	1
02	Shell	Ni	1
03	Long Pin	Under: Ni, Solder Tail: Au	9 Pin
04	Short Pin	Contact Area: Au	10 Pin
05	Cover	LCP Black	1

AUK A MEMBER OF AUK GROUP
太聯事業股份有限公司
AUK CONTRACTORS CO., LTD.

CATEGORY		APPROVED BY		UNLESS OTHERWISE SPECIFIED TOLERANCES ARE .X ±0.25 .XX ±0.15 X.* ±3° .X* ±2°
PART No. HDM19SRC-4-R-H		MEI		
DRAWING No. HDM19SRC-4-R-H		CHECKED BY HZF		
		DRAWING BY XYH		
SCALE	NONE	REV.	A0	UNIT mm

NO.	REV.	DESCRIPTION	CHK	DATE
△ A0		NEW RELEASE	HZF	07/14/2008
		REVISIONS		