



Air moving solutions made simple



AC Fans
DC Fans



AC Blowers
DC Blowers



AC Impellers
DC Impellers



AC Motors



Accessories

Search

- Part/Model #
- Stock Check
- Cross-Reference
- Keyword

More Products

- Heat Sinks
- Fan Accessories
- Engineering Tools
 - Airflow Calculator
 - Thermal Calculator
 - Unit Conversions
 - Application Notes
- Custom Solutions
- Company Info
 - Contact Info
 - Technical Capability
 - Certifications
 - Terms & Conditions
 - Employment Ops

Gateway Online

Phone: 858.348.6200 FAX: 858.566.4577

[Distributors](#)

[Find a Rep](#)

[Contact Us](#)

Flight II 90 - FN24K3 - 031406 - Yes
 (Family) (Model) (Part #) (In Stock)

Electrical Specifications

Operating Voltage:	24 Volts
Voltage Range:	12 - 28 Volts
Power Supply:	5.5 Watts
Line Current:	0.23 Amps
Locked Rotor Current	0.70 Amps
Nominal Speed:	3750 RPM

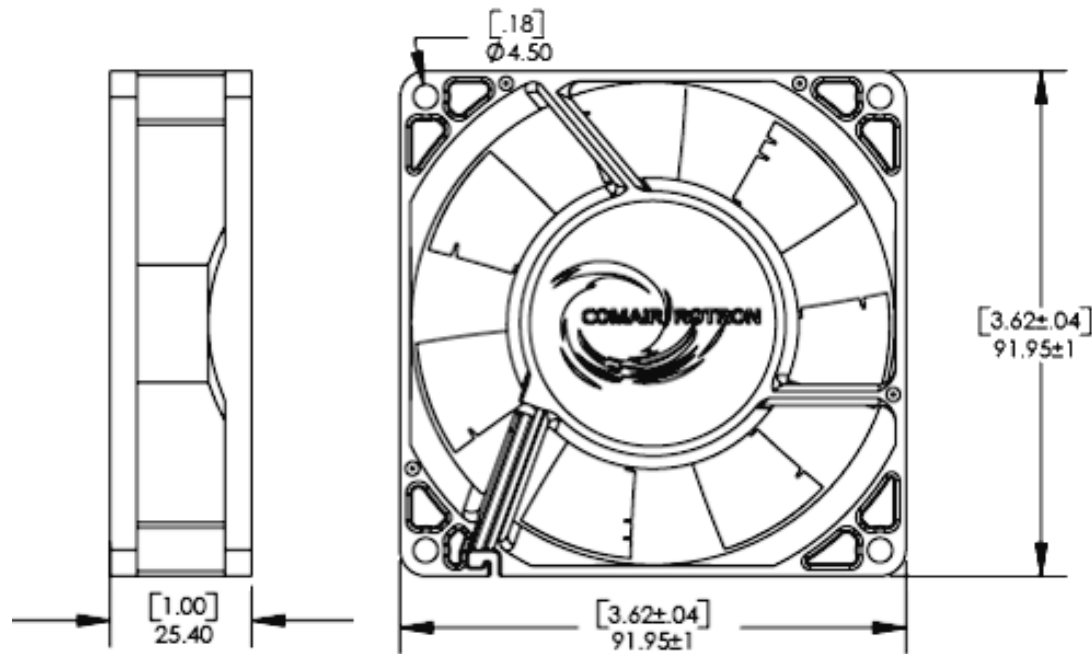
Mechanical Specifications

Dimensions:	3.6 x 3.6 x 1.0 in
Weight	7.1 oz
Max Airflow @ 0 in H₂O	60.0 CFM
Max Pressure @ 0 CFM	0.340 in H₂O
Noise	48.6 dBA



Detailed Drawing
 Printer-Friendly Datasheet

Mechanical Drawing



Fan Performance Curve

Fan Configuration Options

Flight II 90 (Family)	-	FN24K3 (Model)	-	031406 (Part #)	-	<u>Yes</u> (In Stock)
Fan Speed Options		Fan Bearing Options		Fan Airflow Direction Options		Fan Termination Options
High Speed (3750 RPM)		Ball Bearings		Flow L (CW Rotation)		Leads
Full Speed (2860 RPM)		Sleeve Bearings		Flow R (CCW Rotation)		Terminals
7/8 Speed (2377 RPM)						

Fan Monitoring Options

No Fan Monitoring Options Required

Add Tachometer (2 pulses per revolution.)

Add Fan Performance Sensor (FPS)

Fan Speed Control Options

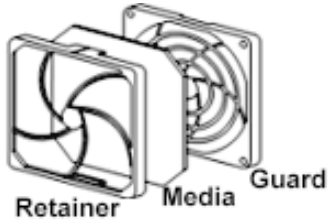
Add ThermaPro-V Fan Speed Control

Environmental Protection Options

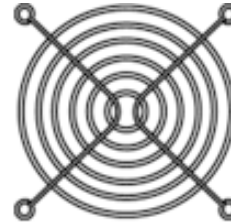
Add Enviroshield Environmental Protection

Accessories [\(Click on part number for detailed drawing.\)](#)

557218
Filter Guard Assembly



554172
Finger Guard



Comair Rotron, Inc.

Phone: 858.348.6200

FAX: 858.566.4577

sales@comairrotron.com

ThermaFlo, Inc.

Phone: 972.312.8609

FAX: 972.312.8617

info@thermaflo.com

Comair Rotron Europe, Ltd.

Phone: +44.1527.520525

FAX: +44.1527.520565

saleseurope@comairrotron.com

Comair Rotron Fan Company Ltd.

Phone: +86.21.52260581

FAX: +86.21.52260597

salesasia@comairrotron.com