

# LED GRAPHIC DISPLAY UNIT

Stanley LED graphic displays made with super bright LEDs guarantee a bright and clear display. Including □144, □160, □240, Stanley provides 2digit type LED such as □64, □96 and 4 digit type LED mini modules such as □32, □40 and many other different kinds of LEDs.

## DESCRIPTION OF PART NO.

LMD 04 A - C RG □ - □

OUTER DIMENSIONS 256 (16X16)  
 04 : □64  
 06 : □96  
 10 : □160  
 15 : □240

No. of Dot  
 256 (16X16)

TYPE  
 C : Chip  
 L : Lamp

EMITTED COLOR  
 RG : Red, Green  
 (Bicolor)  
 RGB : Red, Green, Blue (Full color)  
 Y : Yellow

DUTY  
 16 : 1/16 duty  
 S : Static

SUFFIX

LED Mini Module

MM 12 16 C - RG 4 - L

OUTER DIMENSIONS  
 12 : 1.2 inch (32mm)  
 15 : 1.5 inch (40mm)

No. of Dot  
 256 (16X16)

Type  
 C : Chip

EMITTED COLOR  
 RG : Red, Green  
 (Bicolor)

No. of Digit  
 4 : 4

SUFFIX

## CHARACTERISTICS

Type	Operating Temperature Topr.	Storage Temperature Tstg.
MM *1	-5~+45	-20~+70
LMD(Indoor use)	-20~+60	-30~+80
LMD(Outdoor use)	-20~+70	-30~+80

\*1 When being used, the temperature of case should below 70°C

## LED GRAPHIC DISPLAY UNIT

Ta=25°C

Type	Size W×H	Shape	Part No.	Emitting Color	Peak Wavelength TYP.	Dot Size	Dot Pitch	Dot Form	Logic Circuit		Display Circuit		Luminosity TYP.	Viewing Angle MIN.	No. of Segments MAX.	Driving Method	kg		
									Input Volt Vcc1	Current Consumption Icc1 MAX.	Input Volt Vcc2	Current Consumption Icc2 MAX.							
Indoor use	32 X 160		MM1216C-RG4-L	R	660	φ 1.6	2	16X64	5±0.25	120	3±0.25	2.4	70	120	10	1/16 Duty Drive	1		
				G	570								100						
	40 X 160		MM1516C-RG4-L	R	660	φ 1.8	2.5	16X64	5±0.25	500	3±0.25	3.7	55	120	7.5	1/16 Duty Drive	2		
				G	570								65						
	64 X 128		LMD04A-LRG16-2U	R	660	-	4.0	16X32	5±0.25	120	3±0.3	3.0	170	120	5.0	1/16 Duty Drive	3		
				G	570								230						
	96 X 192		LMD06A-CRG16-2L	R	660	4.8	6	16X32	5±0.25	150	3±0.25	3.6	90	120	2.0	1/16 Duty Drive	4		
				G	570								100						
Outdoor use	□160		LMD10A-LRGS	R	660	φ 7.5	9.9	16X16	5±0.25	300	2.75 ±0.25	10.5	1800	64	2.0	Static Drive	5		
				G	570								800						
	□160		LMD10A-LRGS-AS	R	660	φ 7.5	9.9	16X16	5±0.25	500	2.85 ±0.15	3.7	4200	20	2.0	Static Drive	6		
				G	570								2100						
	□240		LMD15A-LRGS-VB	R	660	-	15	16X16	5±0.25	600	5±0.25	10.1	2400	50	2.0	Static Drive	7		
				G	570								1800						
	Yellow	□240		LMD15A-LYS	Y	592	-	15	16X16	5±0.25	500	5±0.25	12.0	5000	120	2.0	Static Drive	8	
	Full color	□240		LMD15A-LRGB-F3	R	626	-	15	16X16	5±0.25	600	3±0.25	9.2	1200	120	7.5	Static Drive	9	
					G	525								4.5±0.25					5.2
B					470	4.5±0.25								4.2					700

● Emitted Color : R (Red), Y (Yellow), G (Green), B (Blue)

# MODULE DIMENSIONS

Unit : mm

fig.1 □32×160 [MM1216C-RG4-L]

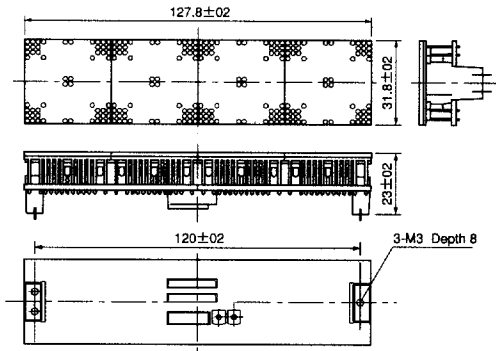


fig.2 □40×160 [MM1516C-RG4-L]

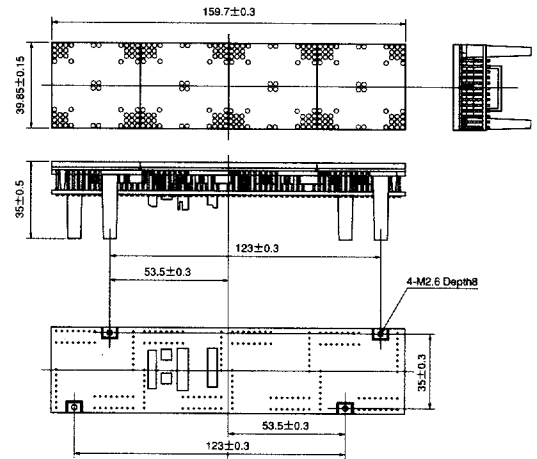


fig.3 □64×128 [LMD04A-LRG16-2U]

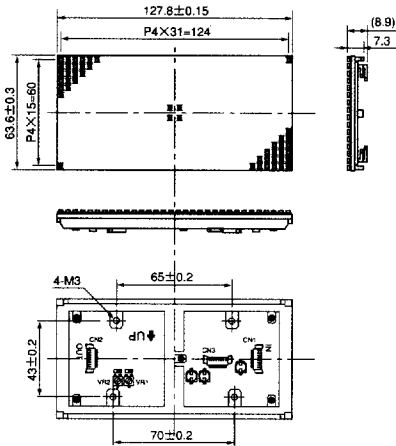


fig.4 □96×192 [LMD06A-CRG16-2L]

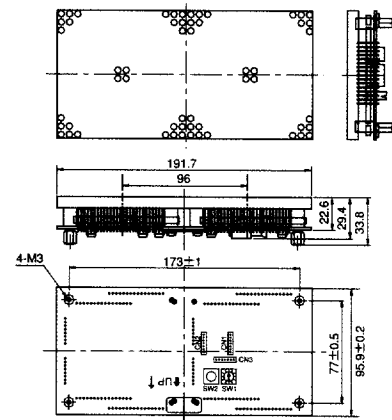
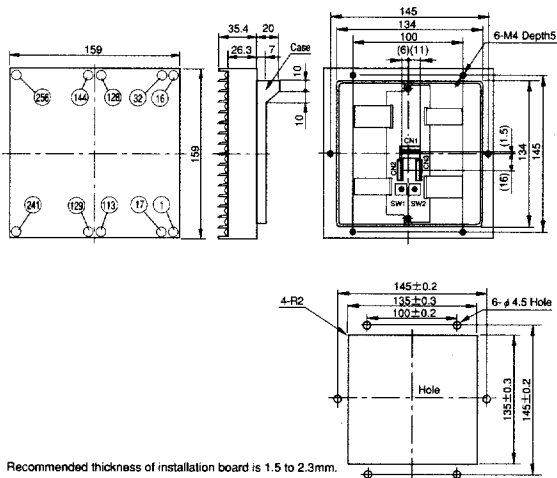
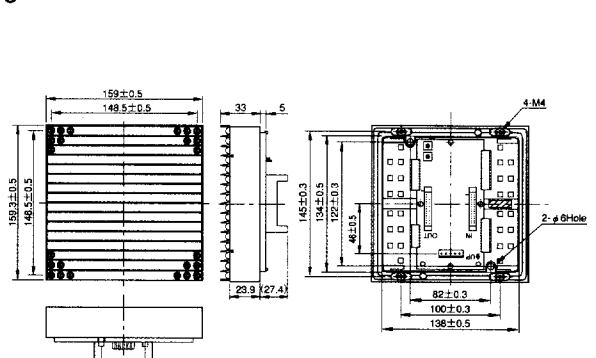


fig.5 □160 [LMD10A-LRGS]



Recommended thickness of installation board is 1.5 to 2.3mm.

fig.6 □160 [LMD10A-LRGS-AS]



7

# LED GRAPHIC DISPLAY UNIT

## MODULE DIMENSIONS

Unit : mm

fig.7 □240 [LMD15A-LRGS-VB]

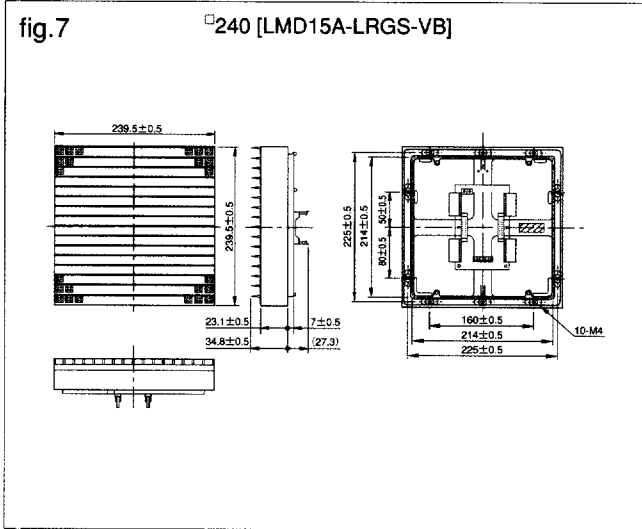


fig.8 □240 [LMD15A-LYS]

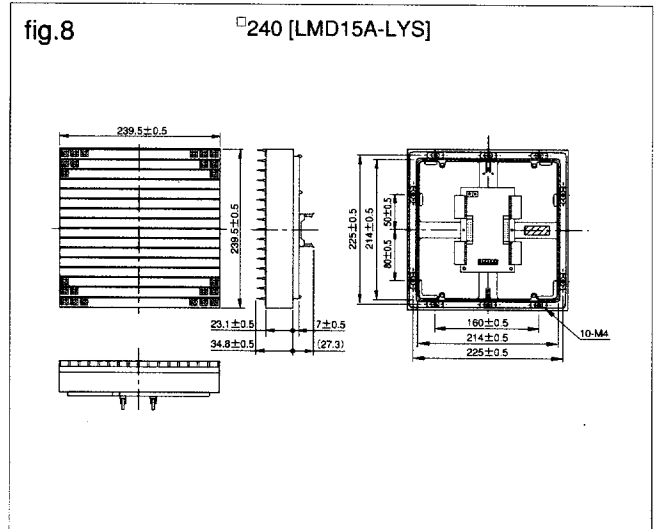


fig.9 □240 [LMD15A-LRGB-F3]

