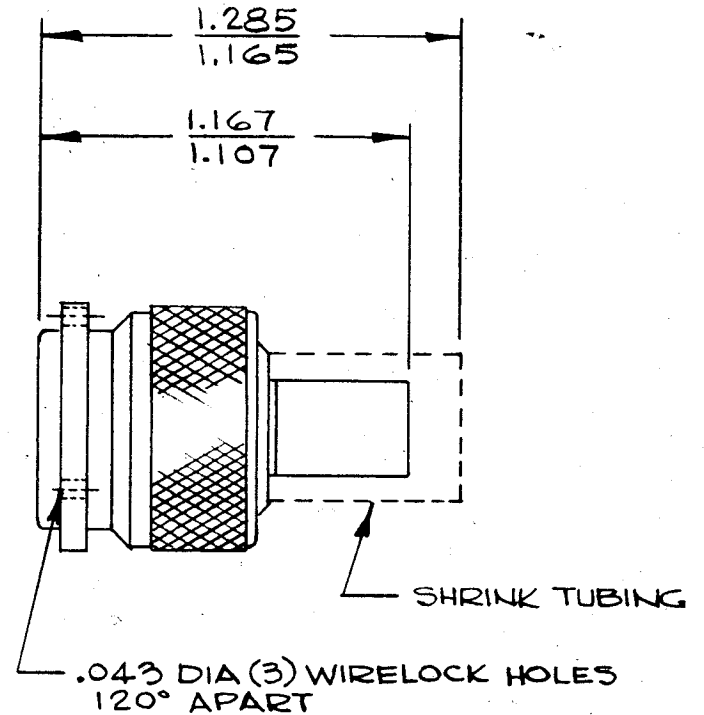


NOTES:

1. MATING: Interface dimensions per Mil-C-39012/TNC SERIES and Solitron/Microwave MD-108.
2. MATERIALS:
 ALL METAL PARTS
 EXCEPT OUTER CONTACT,
 CRIMP RING & LOCK RING.....Brass per QQ-B-626, 1/2 Hard, Alloy 360.
 OUTER CONTACT.....Beryllium Copper per QQ-C-530, Cond. H.T., Alloy 173.
 LOCK RING.....Phosphor Bronze per ASTM-B139, Alloy 51000
 DIELECTRIC.....Teflon per Mil-P-19468 & L-P-403, Type 1.
 GASKET.....Silicone Rubber per ZZ-R-765, Class IIB, Grade 50 - 60.
 CRIMP RING.....Copper per WW-T-799, Type D, Form A, Class 1.
 SHRINK TUBING.....SCL Polyolefin per Mil-I-23053/4, Class 1.
3. FINISH:
 ALL METAL PARTS
 EXCEPT CENTER CONTACT & LOCK RING.....Silver and Iridite per QQ-S-365, Type II, Grade A.
 CENTER CONTACT.....Gold per Mil-G-45204, Type I, Grade C, Class 2; over Copper per Mil-C-14550, Class 4.
 LOCK RING.....None.
4. CABLE ASSEMBLY INSTRUCTIONS PER SOLITRON/MICROWAVE 300-80-320.
5. CONNECTOR ACCOMMODATES RG-302/U CABLE.



SYMBOL	DESCRIPTION	DATE	APPR.	UNLESS OTHERWISE SPECIFIED 1 ALL DIMENSIONS ARE AFTER PLATING 2 BREAK ALL CORNERS & EDGES .005 R MAX. 3 CHAMFER 1ST & LAST THREADS 45° 4 SURFACE ROUGHNESS 63 MIL-STD-10 5 DIAMETERS ON COMMON CENTERS TO BE CONCENTRIC WITHIN T.I.R. 6 REMOVE ALL BURRS	SOLITRON/MICROWAVE		REF.
-	REL. DCNF. 10232	12/85	RD		PORT SALERNO, FLORIDA		ENGINEERING DATA DRAWING
				DIMENSIONS ARE IN INCHES TOLERANCES DECIMALS FRACTIONAL ANGULAR X ± .030 X' ± 1'0" XX ± .015 ± 1/64 X'X ± 15" XXX ± .005		MATERIAL	TITLE
					FINISH	AREA	TNC PLUG FOR RG-302/U CABLE CAPTIVATED CONTACT
				DRAWN R.P.A. DATE 12-2-85	SCALE	CODE IDENT. NO.	DRAWING NO.
				CHECKED E DATE 12-85	-	95077	M39012/26-0021
				APPROVED RD DATE 12-16-85		A	

ENG. FILE COPY

"DESIGN CRITERIA"

M39012/26-0021

REQUIREMENT	RATING	REQUIREMENT	RATING
Nominal Impedance (ohms)	50	Vibration	MIL-STD-202 method 204 Cond. D (20G's)
Frequency Range (ghz)	DC - 15.0		
Voltage Rating (max. vrms)	500	Shock	MIL-STD-202 method 213 Cond. I (100G's)
Temperature Rating (degrees centigrade)	-65 ^o to + 165 ^o		
VSWR (max.)	N/A	Temperature Cycling	MIL-STD-202 method 107 - Cond. B (-65 ^o c To + 200 ^o c)
Insertion Loss (dB max.)	N/A		
RF Leakage (min. dB down)	N/A	Corrosion	MIL-STD-202 method 101 Cond. B (48 hrs.)
RF High Potential (max. vrms)	1000 at 5 MHz		
Dielectric Withstanding Voltage (max. vrms)	1500	Moisture Resistance	MIL-STD-202 method 106 less step 7b
Insulation Resistance (min. megohms)	5000		
Contact Resistance Center Contact (max. milliohms) Outer Contact (max. milliohms)	1.5 0.2	Barometric Pressure (Altitude)	MIL-STD-202 method 105 Cond. C (70,000 ft.) (375 vrms)
Center Contact Axial Forces Insertion (max. ounces) Withdrawal (min. ounces)	N/A		
Connector Durability (min. cycles)	500	Hermeticity	N/A
Connector Engagement (Axial Forces) Connector Disengagement	2.0		
		Captivated Contact Axial Force (lbs. Min.)	6.0

REMARKS: 1.) Recommended Mating Torque; 30 - 35 inch pounds.

TITLE TNC PLUG FOR RG-302/U
CABLE CAPTIVATED CONTACT

SOLITRON/MICROWAVE
PORT SALERNO, FLORIDA

SHEET 2 OF 2

DRAWING NO.
M39012/26-0021

REV.