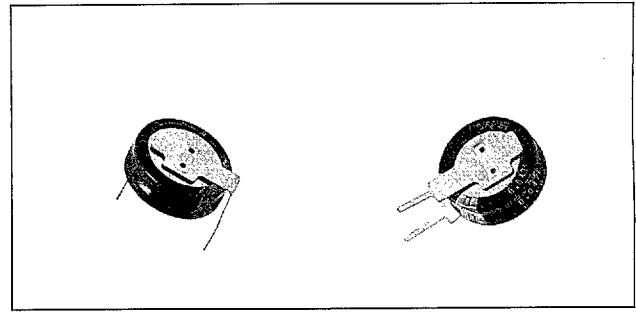


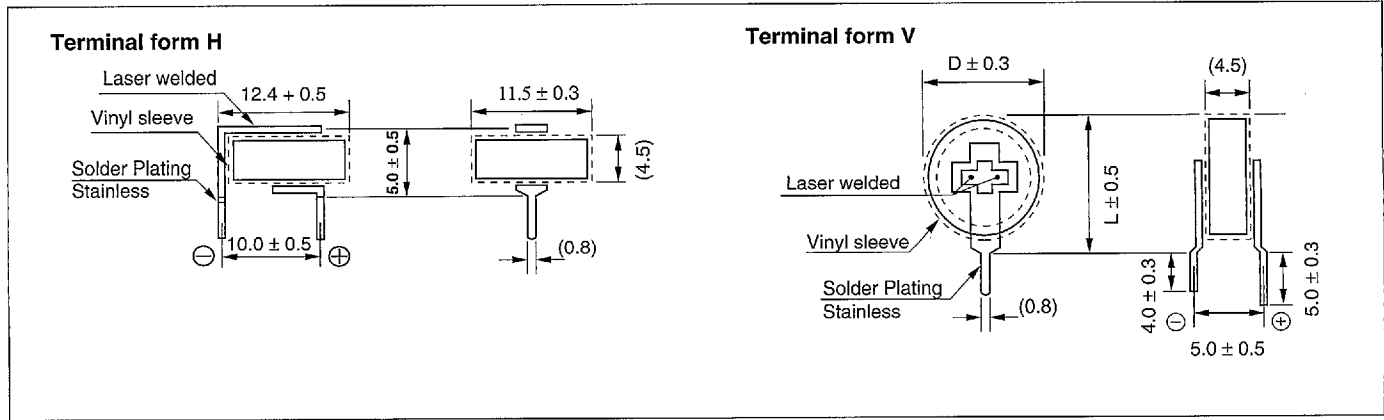
DYNACAP – Double Layer Capacitor

DX Series (Terminal shaped V, H)

Combines two coin cells using laser welding technology to obtain a rated voltage of 5.5V. Available in either vertical or horizontal terminal leads, they are 11.5 mm in diameter by 5 mm high. They deliver 0.33 F among the highest capacitance in the industry. They are ideal for IC memory and other back-up, and of particular value where down-sizing is desired.



Construction and Dimensions



Specifications	Performance												
Temperature range (°C)	-25 to +70												
Capacitance tolerance (%)	-20 to +80												
Internal resistance	<table border="1"> <tr> <td>Capacitance (F)</td> <td>0.047</td> <td>0.1</td> <td>0.22</td> <td>0.33</td> <td>1.0</td> </tr> <tr> <td>Internal resistance (Ω)</td> <td>120</td> <td>75</td> <td>75</td> <td>75</td> <td>30</td> </tr> </table>	Capacitance (F)	0.047	0.1	0.22	0.33	1.0	Internal resistance (Ω)	120	75	75	75	30
	Capacitance (F)	0.047	0.1	0.22	0.33	1.0							
Internal resistance (Ω)	120	75	75	75	30								
Stability at low & high temperature	<table border="1"> <tr> <td>Change in capacitance</td> <td>Within ±30% of value at 20°C</td> </tr> <tr> <td>Internal resistance</td> <td>Less than five times of the value at 20°C</td> </tr> </table>	Change in capacitance	Within ±30% of value at 20°C	Internal resistance	Less than five times of the value at 20°C								
	Change in capacitance	Within ±30% of value at 20°C											
Internal resistance	Less than five times of the value at 20°C												
Endurance (70°C) (Applied ripple current)	<table border="1"> <tr> <td>Test time</td> <td>1000 hrs</td> </tr> <tr> <td>Change in capacitance</td> <td>Within ±30% of the initial measured value</td> </tr> <tr> <td>Internal resistance</td> <td>Within four times the initial specified value</td> </tr> </table>	Test time	1000 hrs	Change in capacitance	Within ±30% of the initial measured value	Internal resistance	Within four times the initial specified value						
	Test time	1000 hrs											
	Change in capacitance	Within ±30% of the initial measured value											
Internal resistance	Within four times the initial specified value												
Max. storage temp. (70°C)	Test time 1000hrs. Same as Endurance												

Standard Ratings

ELNA Part No.	Rated Volt (V)	Capacitance (F)	Internal Resistance (Ω)	øD x L (mm)
DX-5R5 □ 473	5.5	0.047	≤120	11.5 x 13.5
DX-5R5 □ 104	5.5	0.1	≤75	11.5 x 13.5
DX-5R5 □ 224	5.5	0.22	≤75	11.5 x 13.5
DX-5R5 □ 334	5.5	0.33	≤75	11.5 x 13.5
DX-5R5 V 105	5.5	1.0	≤30	19.0 x 20.5

□ Select from V or H

Dynacap

DX