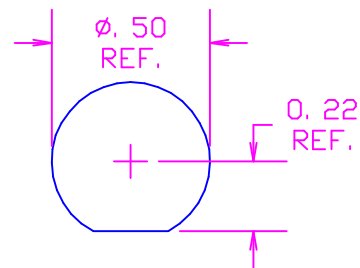
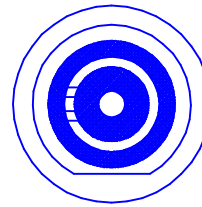
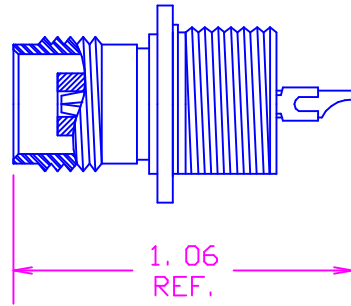


DATE	SYM	REVISION	RECORD	AUTH.	DR.	CK.
					NT	

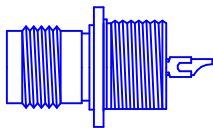


NOTE: SUPPLIED WITH HEX. NUT, AND WASHER

MATERIAL: BODY- BRASS PER QQ-B-626,
 ALLOY 360, 1/2 HARD
 CONTACT- BERYLLIUM COPPER PER
 ASTM B 196
 INSULATION- PTFE PER ASTM D1457

FINISH: BODY- .0002"MIN. SILVER PLATE
 ELECTRODEPOSITED PER QQ-S-365A PLUS
 ELECTROLYTIC CHROMATE TREATMENT
 CONTAC- .0001"MIN. HARD GOLD PLATED PER
 MIL-G-45204B

ACTUAL SIZE



TOLERANCES	CONCORD ELECTRONICS CORPORATION		
DECIMAL ± .010	P/N	SCALE	30 GREAT JONES ST. NEW YORK N. Y. 10012
FRACTIONAL + -	TITLE TNC RECEPTACLE ISOLATED GROUND		
ANGULAR + -	DATE 3-23-98	DRAWING NUMBER 800-2474-03-81	