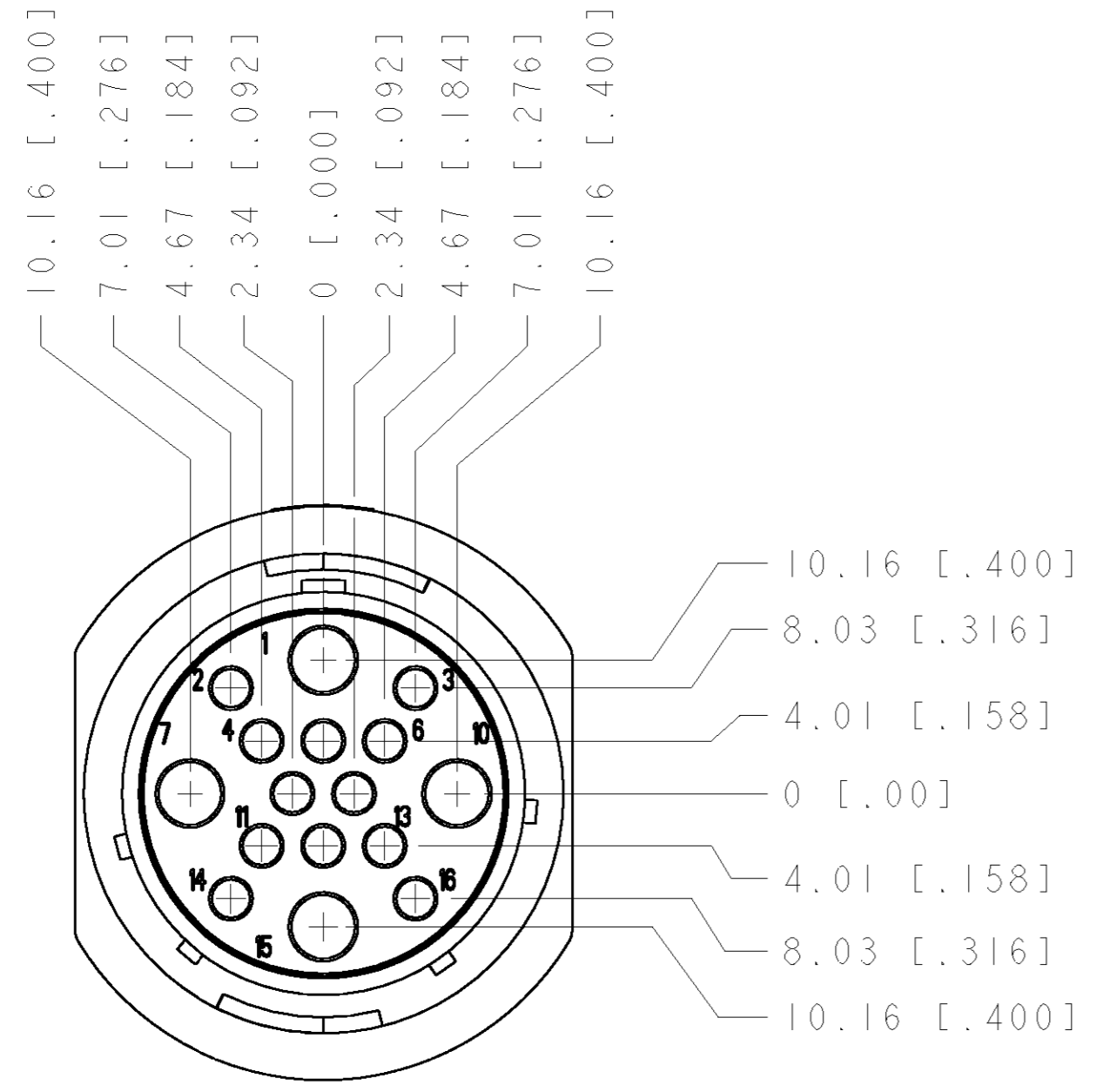
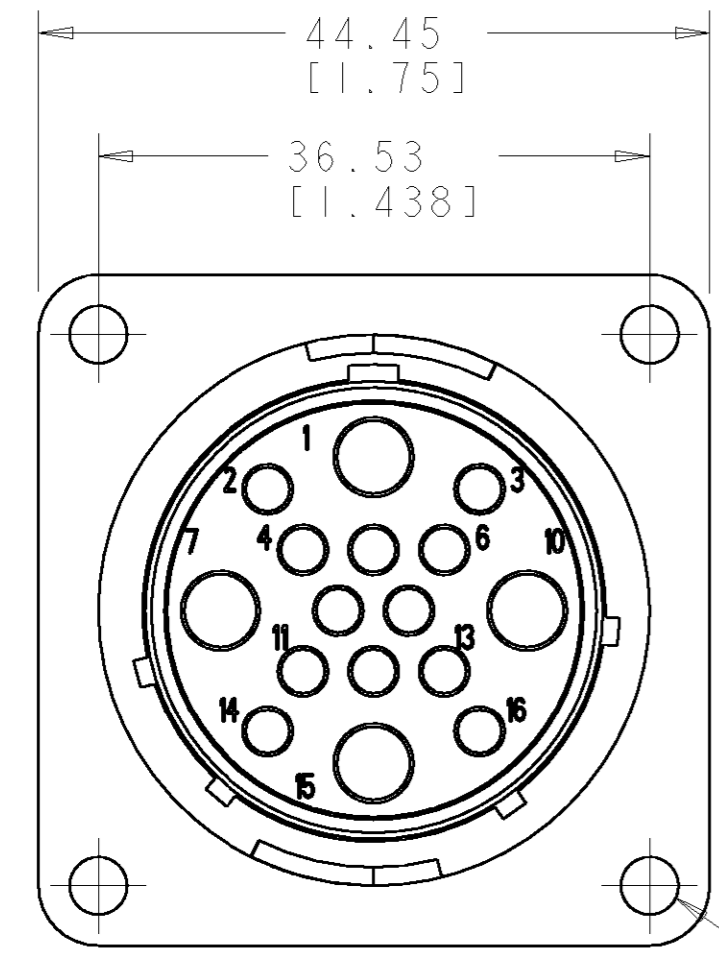


THIS DRAWING IS UNPUBLISHED. RELEASED FOR PUBLICATION
 © COPYRIGHT 19 BY TYCO ELECTRONICS CORPORATION. ALL RIGHTS RESERVED.

LOC	DIST	REVISIONS					
FT	0	P	LTR	DESCRIPTION	DATE	DWN	APVD
		E		REVISED EC 0G3B-0155-05	23MAY2005	SW	SH

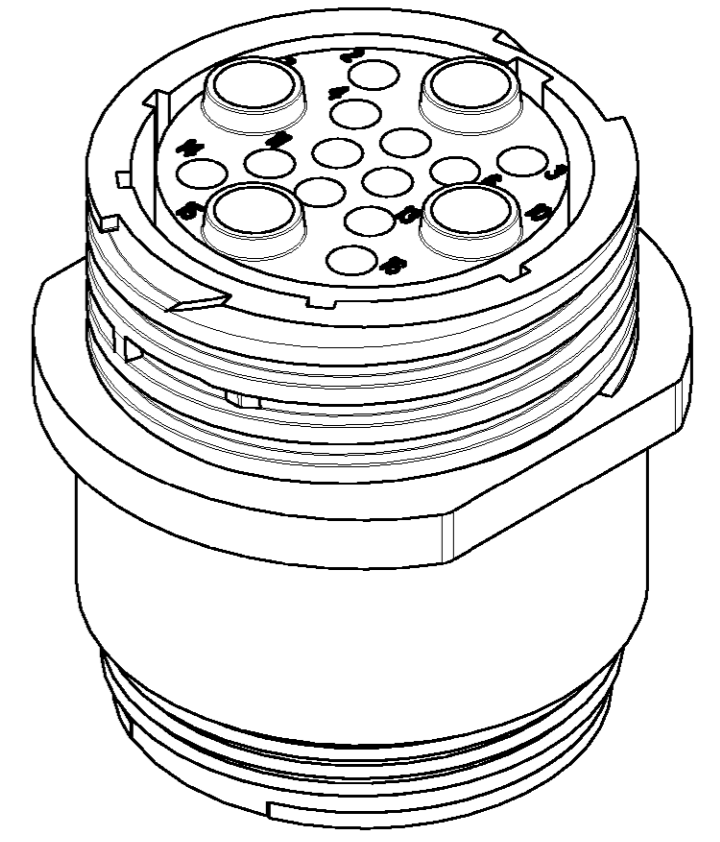
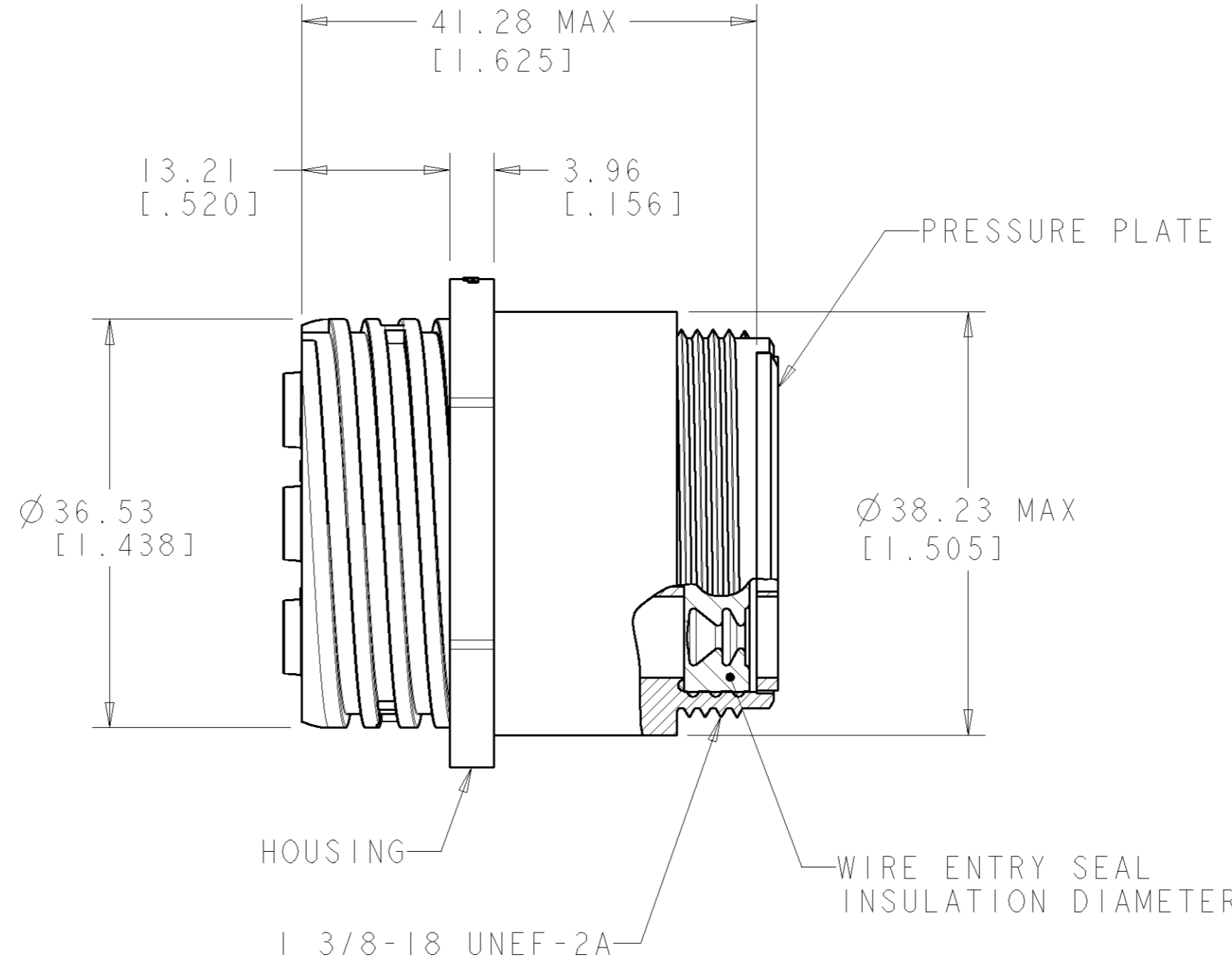


FREE-HANGING VERSION



SQUARE FLANGE VERSION

THREADED INSERT
QTY: 4



- △ HOUSING & PRESSURE PLATE: NYLON, BLACK.
WIRE ENTRY SEAL: ELASTOMER, RED-IRON OXIDE.
PERIPHERAL SEAL: POLYESTER, BLACK.
- 2. CONNECTOR WILL ACCEPT (12) MULTIMATE SOCKET AND (4) POWER SOCKET CONTACTS.

PRELIMINARY	.150-.260	SQUARE FLANGE	796330-2
	.095-.205	FREE-HANGING	796330-1
	INSULATION DIAMETER	HOUSING VERSION	PART NUMBER

<small>THIS DRAWING IS A CONTROLLED DOCUMENT FOR TYCO ELECTRONICS CORPORATION IT IS SUBJECT TO CHANGE AND THE CONTROLLING ENGINEERING ORGANIZATION SHOULD BE CONTACTED FOR THE LATEST REVISION.</small>		DWN S. WELDON 13DEC1999	AMP Incorporated Harrisburg, PA 17105-3608
DIMENSIONS: mm [INCHES]		CHK J. ENGLE 13DEC1999	
		APVD J. ENGLE 13DEC1999	
TOLERANCES UNLESS OTHERWISE SPECIFIED:		NAME RECEPTACLE ASSY, SERIES 6, REVERSE SEX, SIZE 23-16 CIRCULAR PLASTIC CONNECTOR	
MATERIAL	FINISH	PRODUCT SPEC 108-1579	SIZE A2
		APPLICATION SPEC -	CAGE CODE 00779
		WEIGHT -	DRAWING NO 796330
		CUSTOMER DRAWING	RESTRICTED TO -
SCALE 2:1			SHEET 1 OF 1
			REV E