

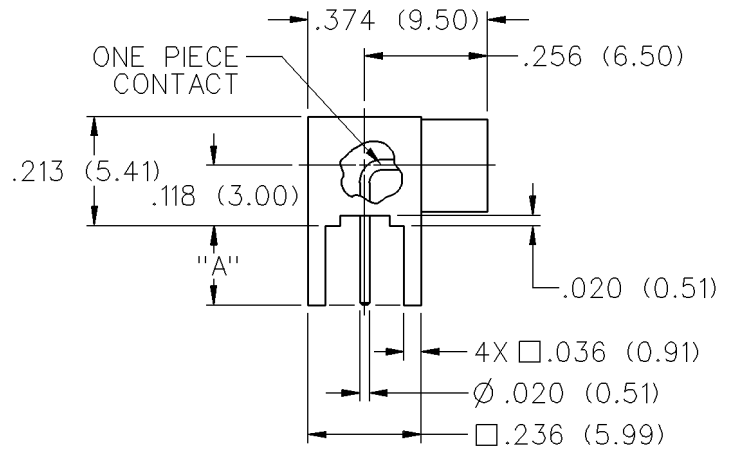
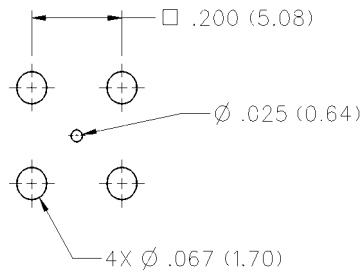
MCX - 75 Ohm Connectors

PC Mount



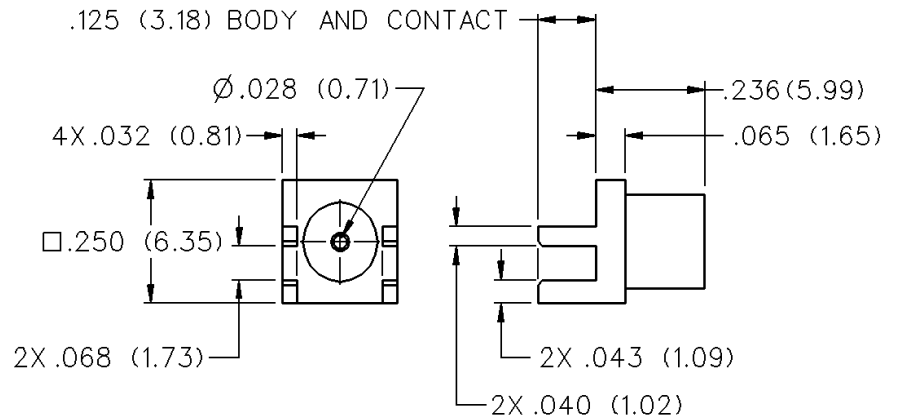
INCHES (MILLIMETERS)
CUSTOMER DRAWINGS AVAILABLE UPON REQUEST

Right Angle Jack Receptacle



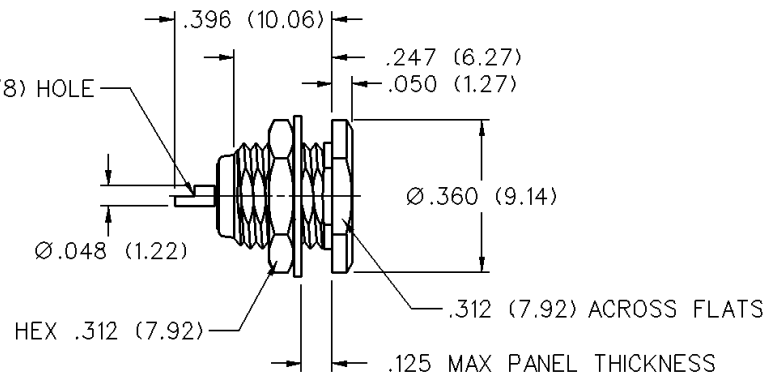
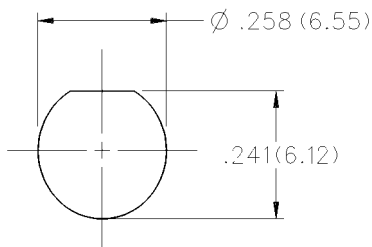
"A"	GOLD PLATED
.155 (3.80)	133-8701-301
.110 (2.70)	133-8701-311

End Launch Jack Receptacle



GOLD PLATED
133-8701-801

Bulkhead Jack Receptacle



GOLD PLATED
133-8701-401