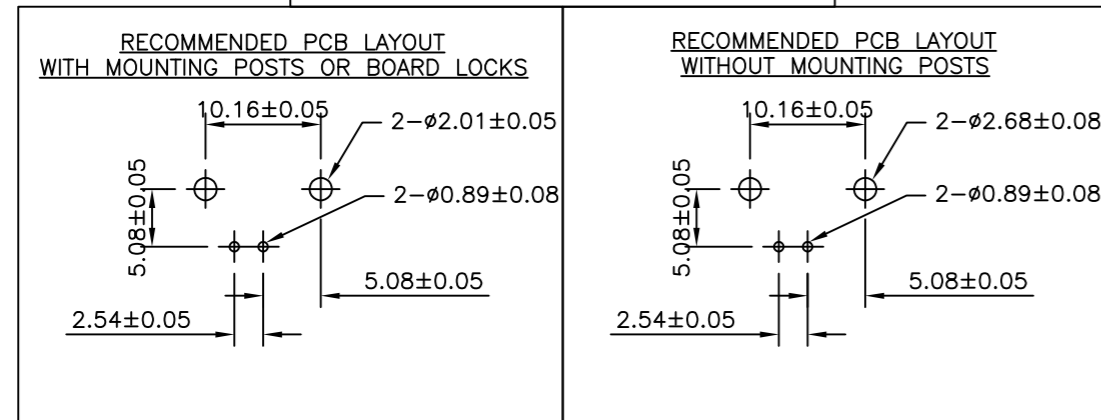
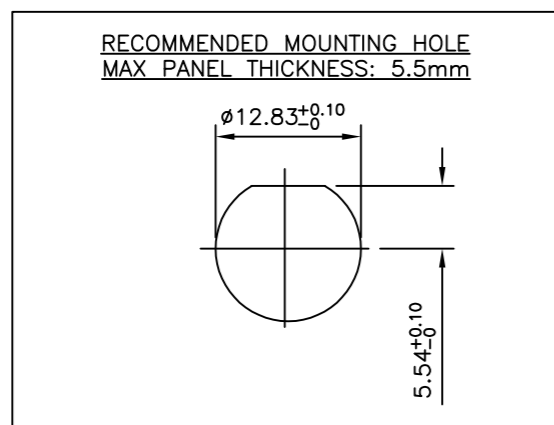
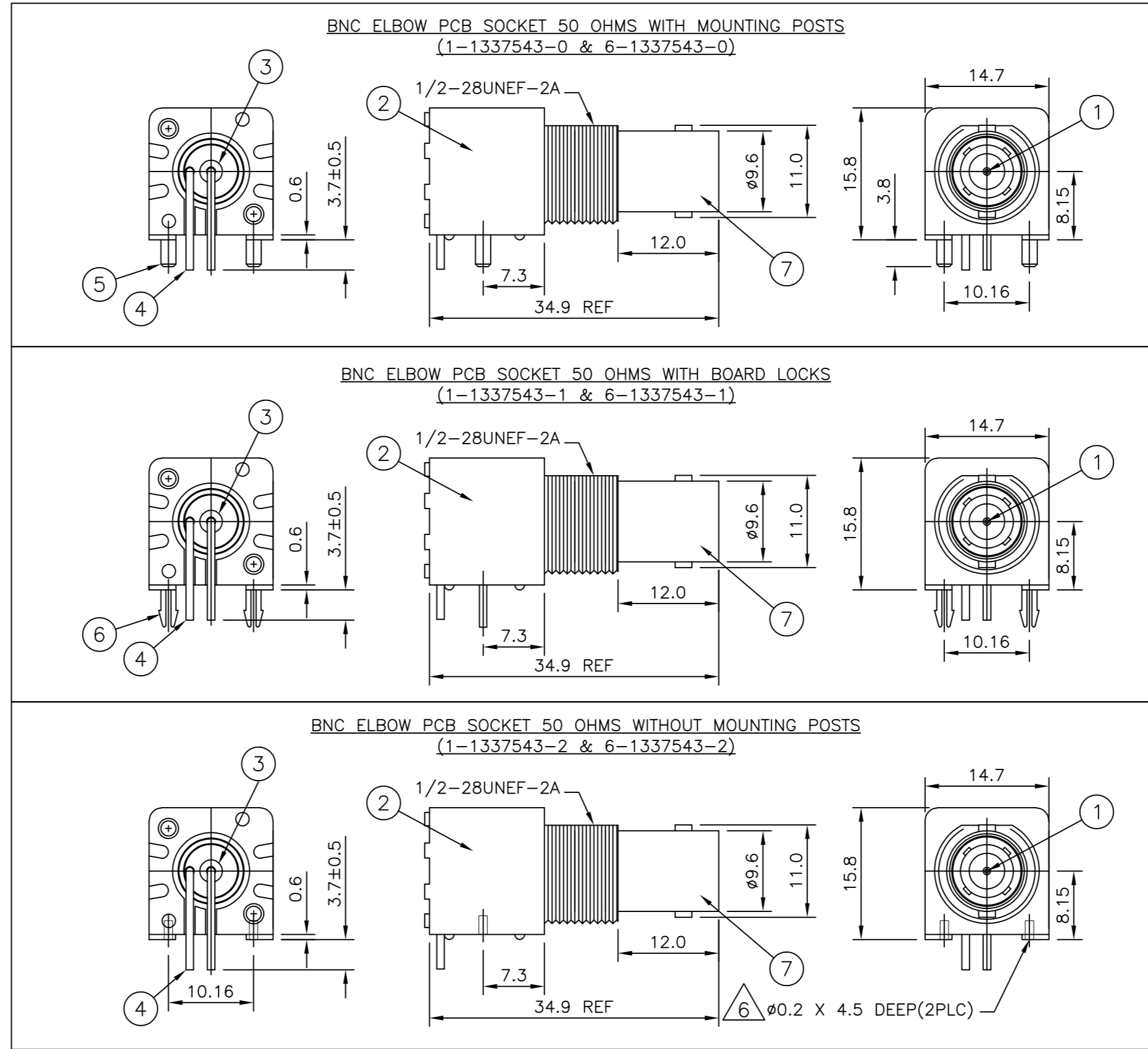


THIS DRAWING IS UNPUBLISHED. RELEASED FOR PUBLICATION AUGUST, 2005.
 © COPYRIGHT 2005 BY TYCO ELECTRONICS CORPORATION. ALL RIGHTS RESERVED.

| LOC | | DIST | | REVISIONS | | | |
|-----|-----|-------------|---------------|-----------|------|-----|--|
| P | LTR | DESCRIPTION | DATE | DWN | APVD | | |
| E | B | E | ECO-09-003420 | 14 Feb 09 | RITA | BOB | |

- NOTES:**
- △ SINGLE PACK IN ACCORDANCE WITH AMP SPEC 107-3275
 - △ 50 TRAY PACK IN ACCORDANCE WITH AMP SPEC 107-3275
 - △ GOLD PLATING
 - △ NICKEL PLATING
 - △ TIN PLATING
 - △ RECOMMENDED SELF-TAPPING SCREW 221108-4
 - 7. RECOMMENDED MOUNT NUT 1-1634816-0
 - 8. RECOMMENDED LOCKWASHER 1-1634817-0
 - 9. FOR TECHNICAL DATA REFER TO YOUR LOCAL TYCO ELECTRONICS SALES OFFICE
 - 10. ALL DIMENSIONS ARE NOMINAL FOR REFERENCE ONLY UNLESS OTHERWISE STATED



| QTY | DESCRIPTION | MATERIAL | ITEM | | | |
|------|-------------|----------|------|--------------|-----------------|---|
| 1 | 1 | 1 | 1 | ZINC DIECAST | △ BODY | 7 |
| - | - | 2 | 2 | BRASS | △ BOARD LOCK | 6 |
| - | - | - | 2 | BRASS | △ MOUNTING POST | 5 |
| 1 | 1 | 1 | 1 | BRASS | △ SOLDER TAIL | 4 |
| 1 | 1 | 1 | 1 | PE-606 | INSULATOR | 3 |
| 1 | 1 | 1 | 1 | PBT WHITE | HOUSING | 2 |
| 1 | 1 | 1 | 1 | BRASS | △ CONTACT | 1 |
| 6--2 | 1--2 | 6--1 | 1--1 | 6--0 | 1--0 | |
| △ | △ | △ | △ | | | |

THIS DRAWING IS A CONTROLLED DOCUMENT.

| | | |
|------------------|------------|-----------|
| DWN | RITA ZUO | 14 Feb 09 |
| CHK | ANSON MA | 14 Feb 09 |
| APVD | BOB ZHAO | 14 Feb 09 |
| PRODUCT SPEC | 108-112000 | |
| APPLICATION SPEC | | |
| MATERIAL | SEE TABLE | |
| FINISH | SEE TABLE | |
| WEIGHT | - | |
| CUSTOMER DRAWING | | |

Tyco Electronics Tyco Electronics Corporation
 Kunshan, Jiangsu, PRC 215312

BNC R/A INSULATED PCB SOCKET
 50 OHM WHITE

| | | | |
|-------|-----------|------------|---------------|
| SIZE | CAGE CODE | DRAWING NO | RESTRICTED TO |
| A2 | 00779 | C=1337543 | - |
| SCALE | SHEET | OF | REV |
| NTS | 1 | 1 | E |