

MATERIALS AND FINISHES

COUPLING SLEEVE: BRASS  
PLATED NICKEL

BODY: BRASS  
PLATED TRI-M3

RETENTION CAP: BRASS  
PLATED TRI-M3

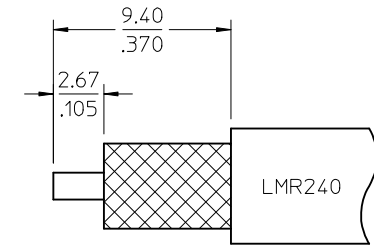
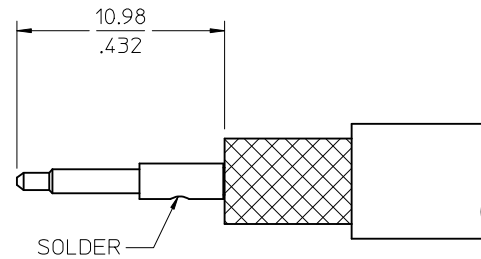
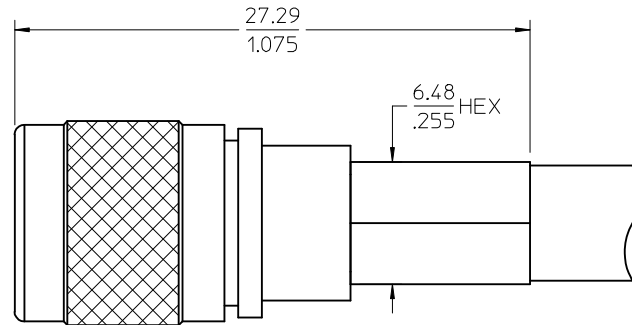
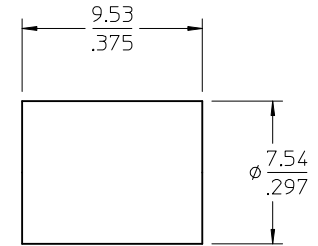
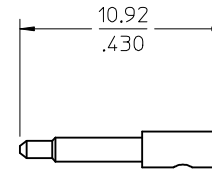
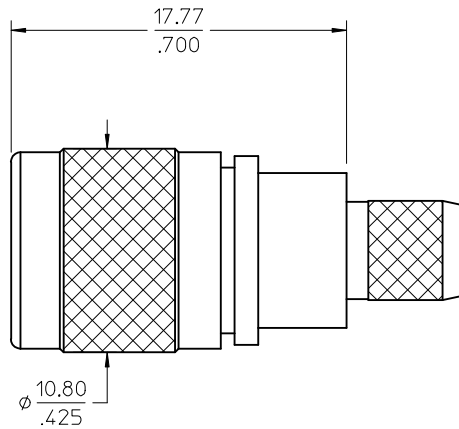
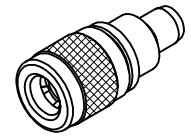
INSULATORS: TEFLON

RETENTION SPRING: STAINLESS STEEL  
PASSIVATED

GROUND SPRING: BERYLLIUM COPPER  
PLATED GOLD

CONTACT: BRASS  
PLATED GOLD

CRIMP TUBE: BRASS  
PLATED NICKEL



RECOMMENDED CABLE STRIP DIMENSION

73254-0071	ONE PER BAG
73254-0070	TRAY
PART NO	PACKAGING

CHG: UPDATE PACKAGING FOR 73254-0070 PER RF15-E211  
 EC NO: URF2015-0657  
 DRWNR: YEH  
 CHKD: B3  
 APPR: YCHENG  
 2015/05/25  
 2015/05/29

REV	DESCRIPTION
▽=0	QUALITY SYMBOLS
▽=0	
▽=0	

GENERAL TOLERANCES (UNLESS SPECIFIED)	
	mm INCH
4 PLACES	± .005 ± .0002
3 PLACES	± .005 ± .0002
2 PLACES	± .005 ± .0002
1 PLACE	± .005 ± .0002
0 PLACE	± .005 ± .0002
ANGULAR ± 2 °	
DRAFT WHERE APPLICABLE MUST REMAIN WITHIN DIMENSIONS	

DIMENSION STYLE	
MM/IN	
DRAWN BY	DATE
SSS	2003/10/01
CHECKED BY	DATE
TEF	2003/10/01
APPROVED BY	DATE
GMH	2003/10/01
MATERIAL NO.	
SEE TABLE	
SIZE C	

SCALE	5:1	DESIGN UNITS	INCH	THIRD ANGLE PROJECTION
TITLE				
QMA PLUG STRAIGHT LMR240 50 OHM QMA-PC, EWR-4121				
DOCUMENT NO.				SHEET NO.
SD-73254-007				1 OF 1
THIS DRAWING CONTAINS INFORMATION THAT IS PROPRIETARY TO MOLEX INCORPORATED AND SHOULD NOT BE USED WITHOUT WRITTEN PERMISSION				

# Mouser Electronics

Authorized Distributor

Click to View Pricing, Inventory, Delivery & Lifecycle Information:

[Molex:](#)

[73254-0071](#)