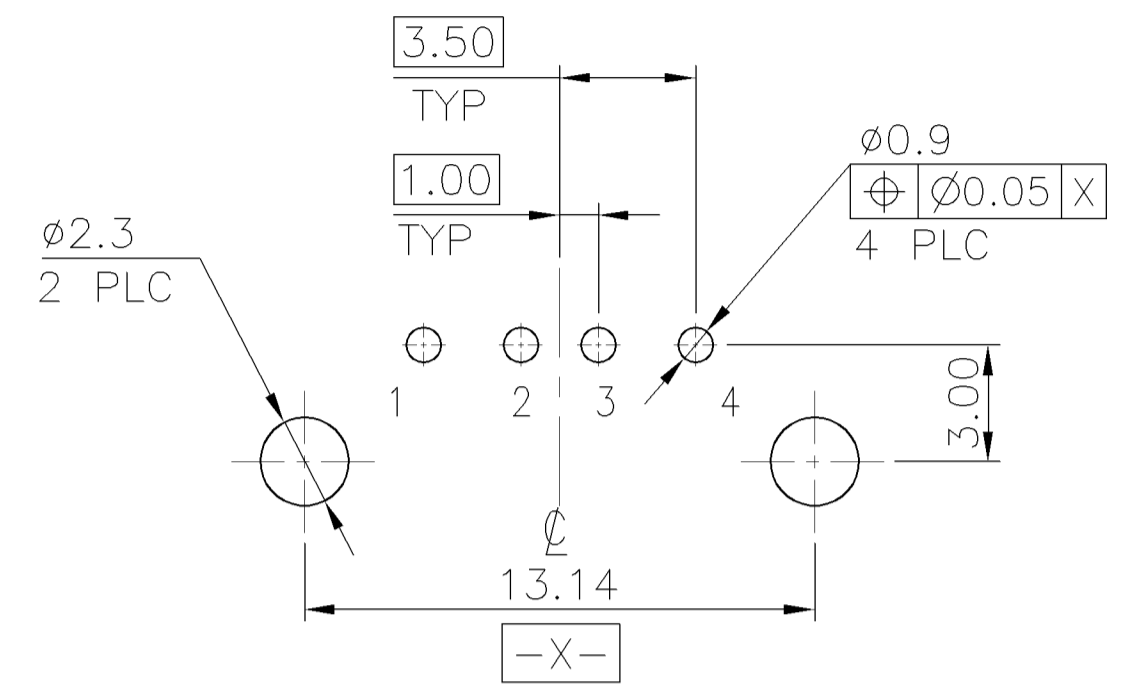
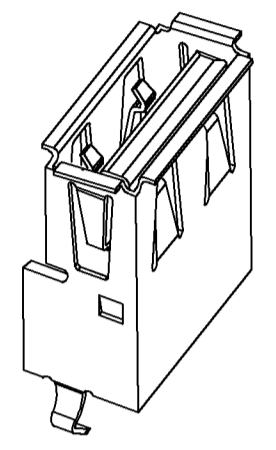
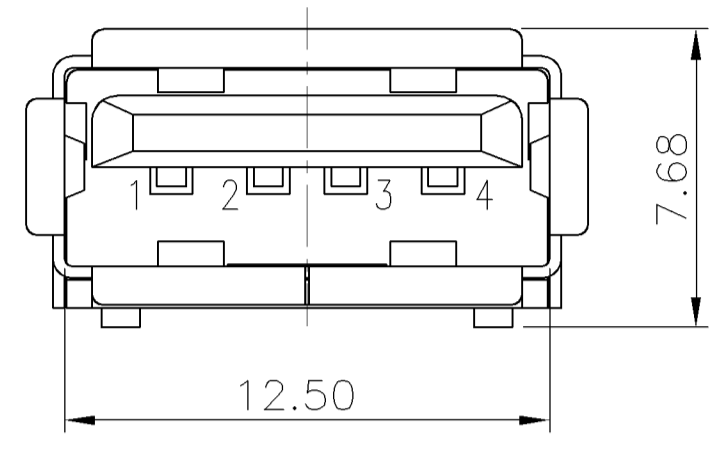
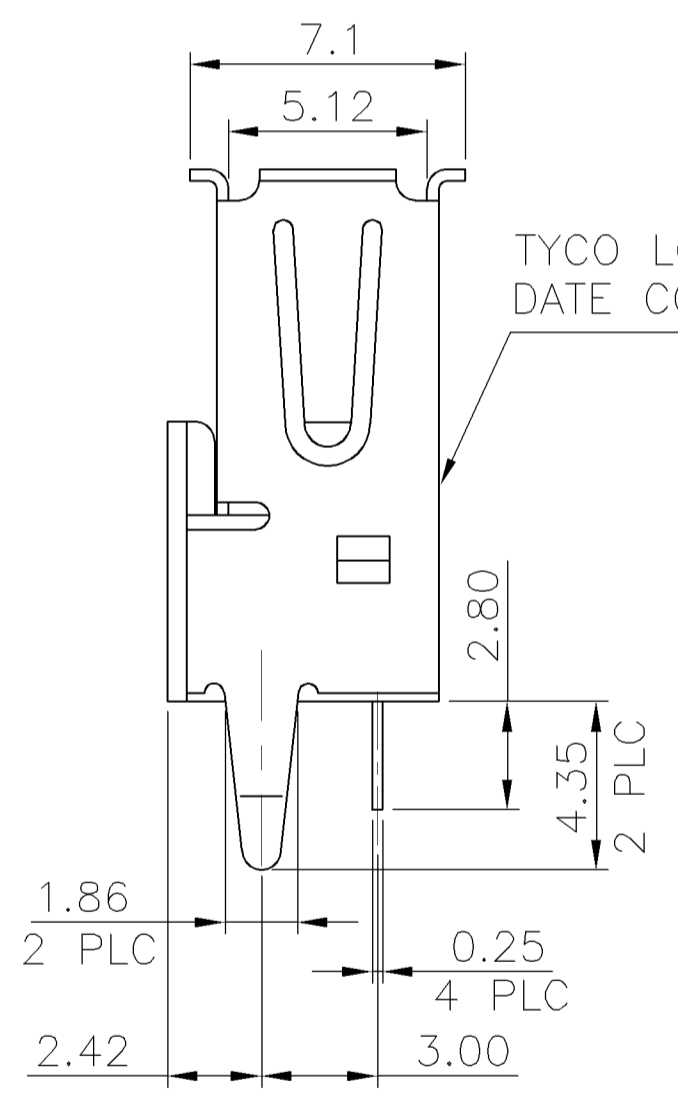
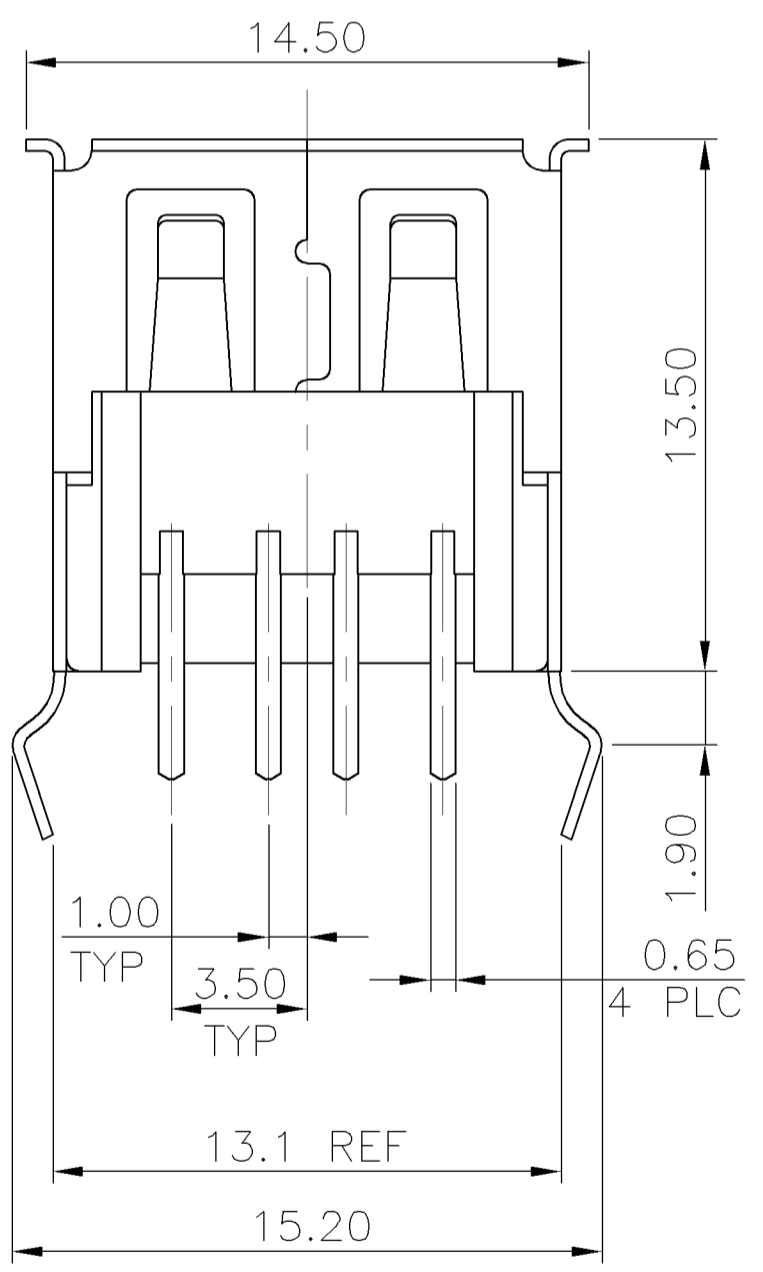


THIS DRAWING IS UNPUBLISHED. RELEASED FOR PUBLICATION
 © COPYRIGHT BY TYCO ELECTRONICS CORPORATION. ALL RIGHTS RESERVED.

LOC	DIST	REVISIONS			
P	LTR	DESCRIPTION	DATE	DWN	APVD
DW	—	ECR-06-029342, REVISE HSG. MATERIAL TO PA9T	17MAY07	OH	WK



RECOMMEND P.C.B LAYOUT (THICKNESS=1.6mm)
 (COMPONENT SIDE) TOLERANCE±0.05



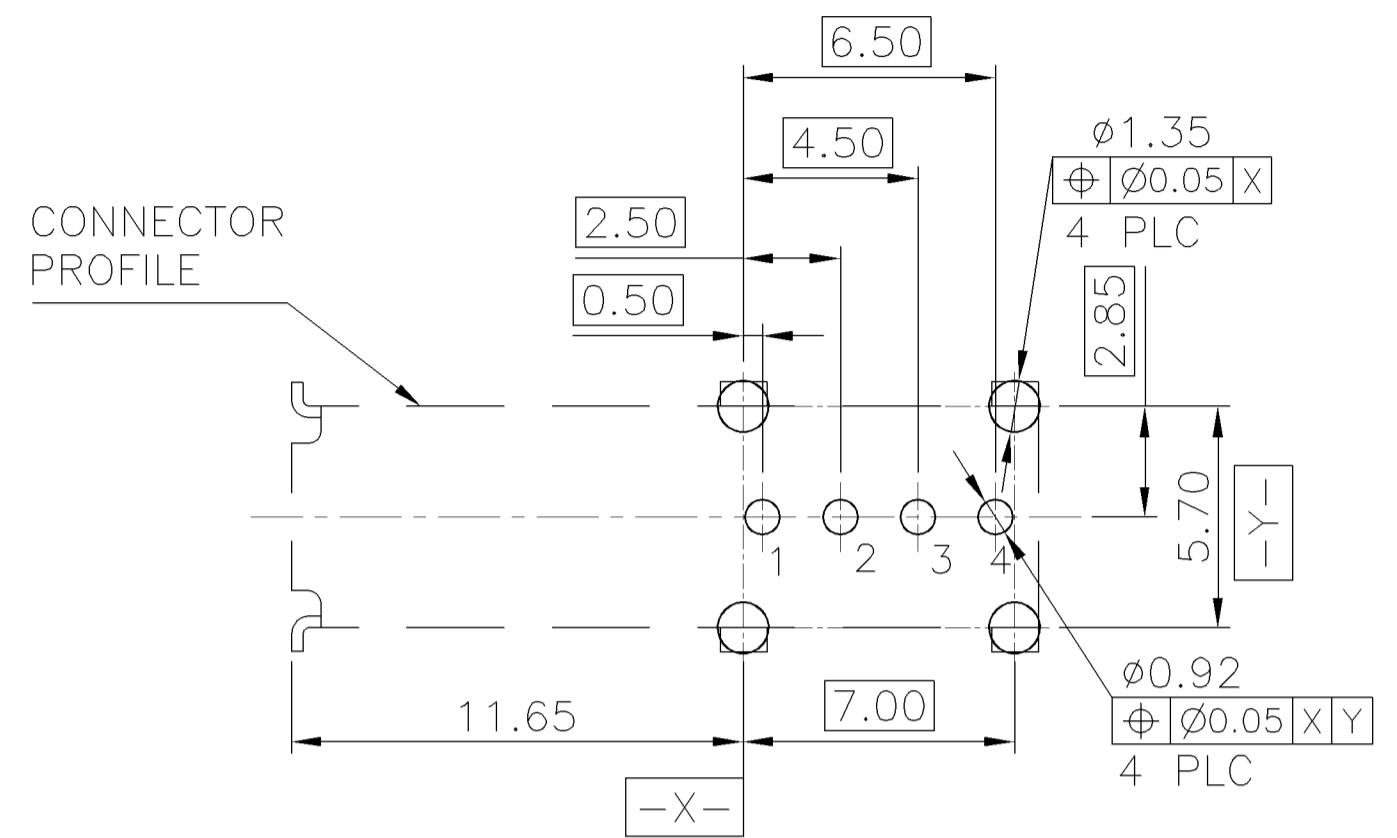
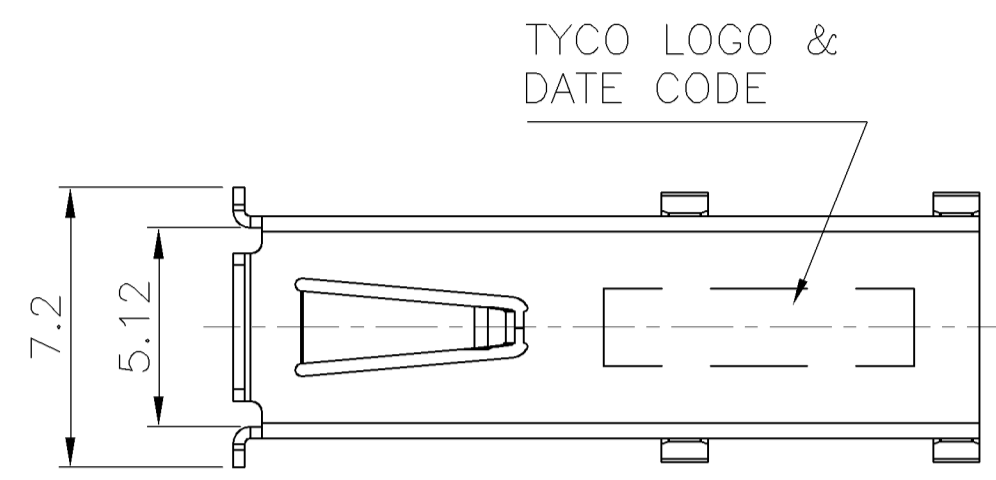
- NOTES:
- MATERIAL:
 HOUSING: THERMOPLASTIC (SEE TABLE), WITH 30% GF, UL 94V-0 RATED, BLACK COLOR.
 CONTACT: PHOSPHOR BRONZE.
 SHIELD: BRASS.
 - FINISH :
 CONTACT: 0.762µm [30µ"] MIN. GOLD PLATING ON CONTACT AREA.
 3.048µm [120µ"] MIN. BRIGHT TIN PLATING ON SOLDERTAILS.
 WITH ENTIRE CONTACT UNDERPLATED 1.27µm [50µ"] MIN. NICKEL
 SHIELD: 3.048µm [120µ"] MIN. NICKEL PLATING WITH
 2.54µm [100µ"] MIN. Cu UNDERPLATING OVERALL
- ⚠ WAVE SOLDER CAPABLE TO 240°C PER TYCO TEST SPEC. 109-202, CONDITION A.
 ⚠ REFLOW SOLDER CAPABLE TO 260°C PER TYCO TEST SPEC. 109-201, CONDITION B.
 5. TID NUMBER IS 61000806 FOR USB 2.0 SPEC.

⚠ PA-9T	TRAY	1734085-2
⚠ PBT	TRAY	1734085-1
HSG. MATERIAL	PACKAGE	PART NUMBER

THIS DRAWING IS A CONTROLLED DOCUMENT.		DWN O. HU 17MAY2007	Tyco Electronics Corporation Taipei, Taiwan		
DIMENSIONS: MM		CHK S. HOU 17MAY2007			
TOLERANCES UNLESS OTHERWISE SPECIFIED:		APVD W.J. KE 17MAY2007	NAME		
		PRODUCT SPEC 108-57549	USB CONNECTOR, A SERIES, VERTICAL, DIP TYPE		
MATERIAL SEE NOTE		QUALIFICATION TEST REPORT 501-57638	SIZE A3	CAGE CODE 00779	DRAWING NO C=1734085
FINISH SEE NOTE		WEIGHT 1.70 GRAMS	RESTRICTED TO —		SCALE —
CUSTOMER DRAWING			SHEET 1 OF 8		REV A

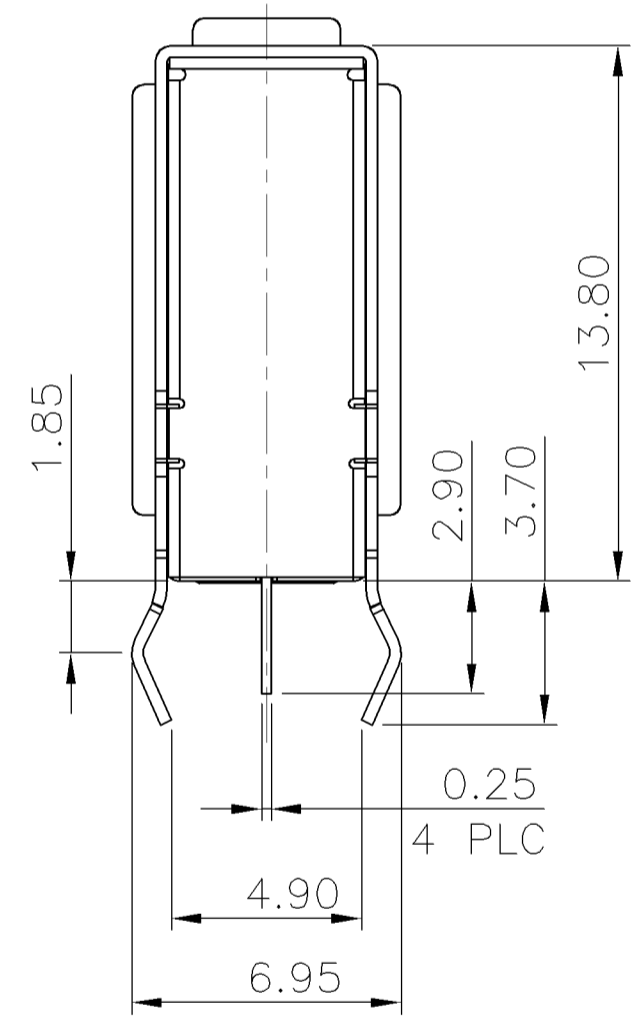
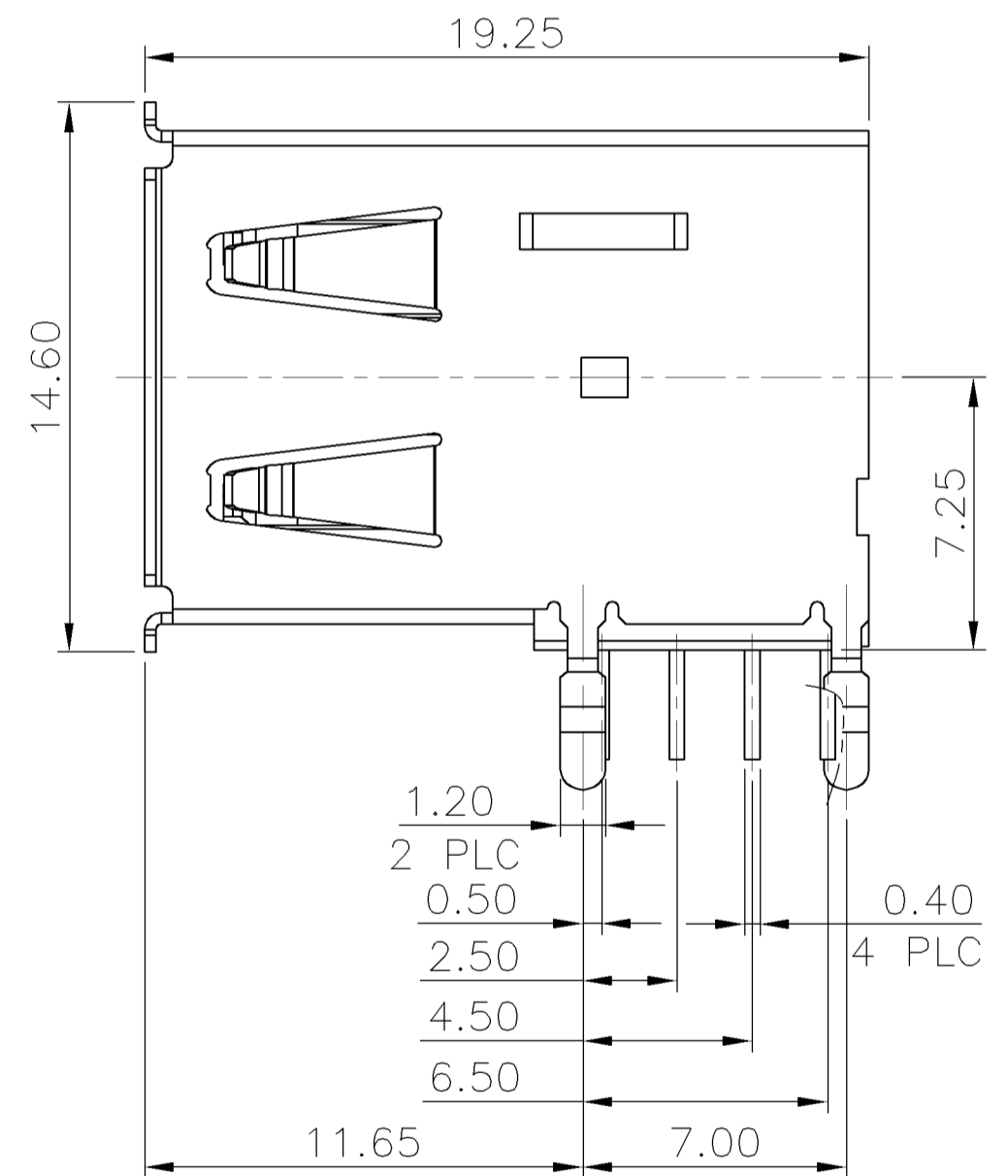
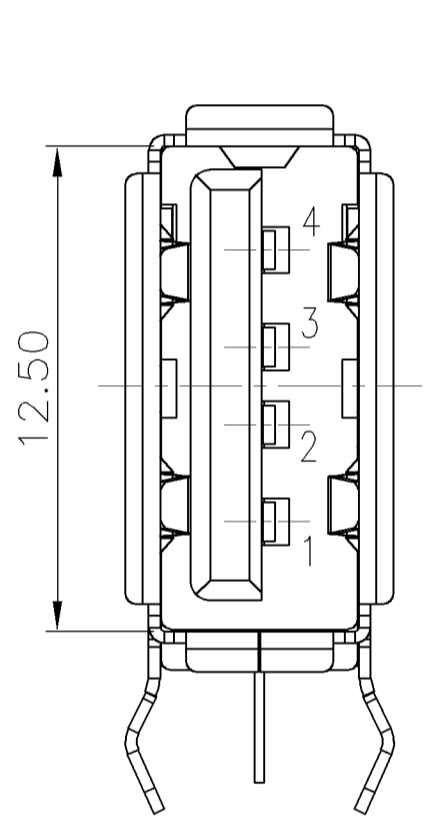
THIS DRAWING IS UNPUBLISHED. RELEASED FOR PUBLICATION
 © COPYRIGHT BY TYCO ELECTRONICS CORPORATION. ALL RIGHTS RESERVED.

LOC	DIST	REVISIONS					
DW	—	P	LTR	DESCRIPTION	DATE	DWN	APVD
				SEE SHEET 1.			



RECOMMEND P.C.B LAYOUT (THICKNESS 1.6mm)
 (COMPONENT SIDE) TOLERANCE ±0.05

- NOTES :
- MATERIAL:
 HOUSING: THERMOPLASTIC (SEE TABLE), WITH 30% GF, UL94V-0 RATED, BLACK COLOR
 CONTACTS: PHOSPHOR BRONZE.
 SHIELD: BRASS.
 REAR SHIELD: SPCC.
 - FINISH:
 CONTACT: 0.762µm [30µ"] MIN. GOLD PLATING ON CONTACT AREA
 3.81µm [150µ"] MIN. BRIGHT TIN PLATING ON SOLDERTAILS WITH ENTIRE CONTACT UNDERPLATED 1.27µm [50µ"] MIN. NICKEL
 SHIELD: 3.048µm [120µ"] MIN. NICKEL PLATING WITH 2.54µm [100µ"] MIN. Cu UNDERPLATING OVERALL
 - WAVE SOLDER CAPABLE TO 240°C PER TYCO TEST SPEC. 109-202, CONDITION A.
 - REFLOW SOLDER CAPABLE TO 260°C PER TYCO TEST SPEC. 109-201, CONDITION B.
 - TID NUMBER IS 61000806 FOR USB 2.0 SPEC.



△ PA-9T	TRAY	1-1734085-2
△ PBT	TRAY	1-1734085-1
HSG. MATERIAL	PACKAGE	PART NUMBER

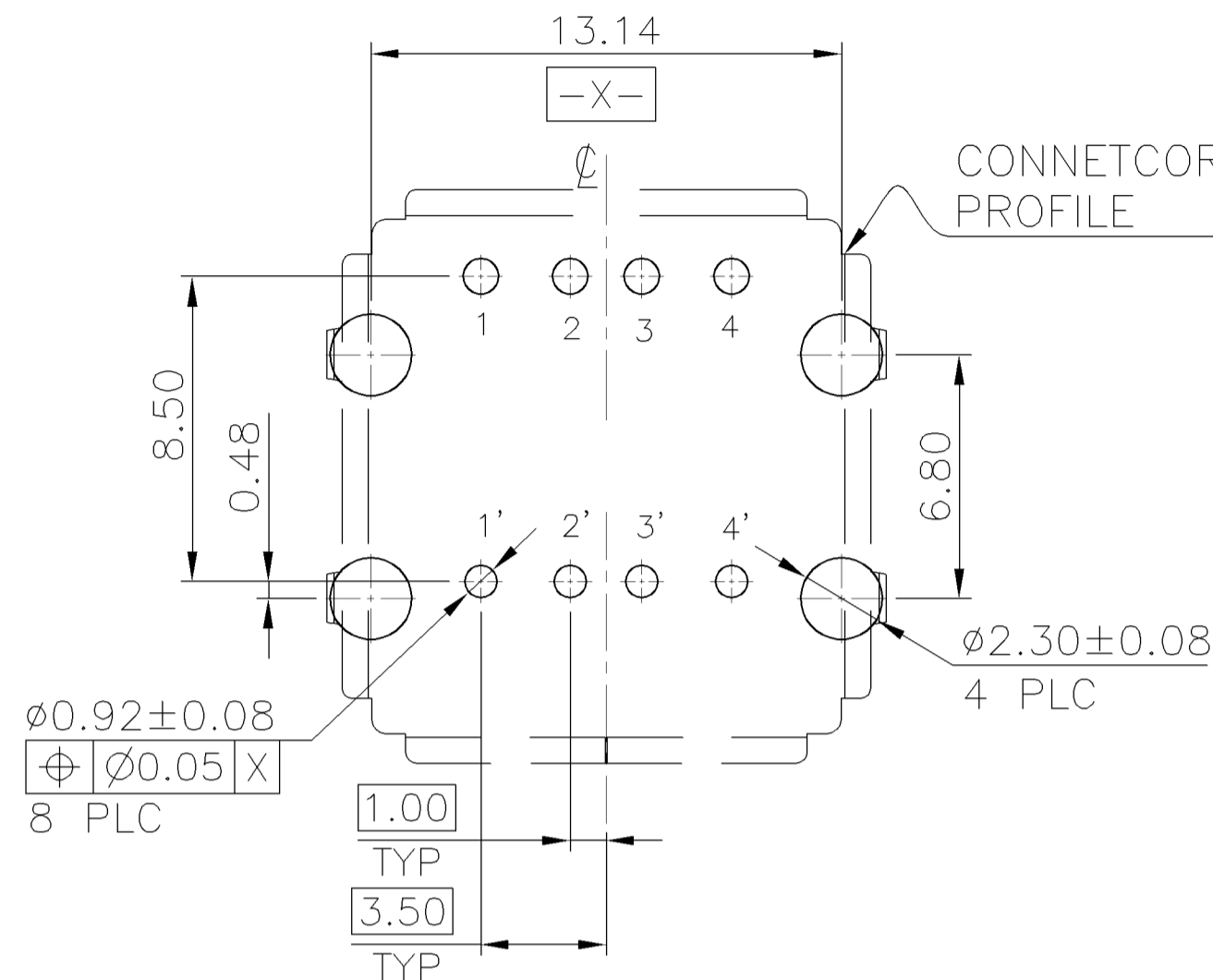
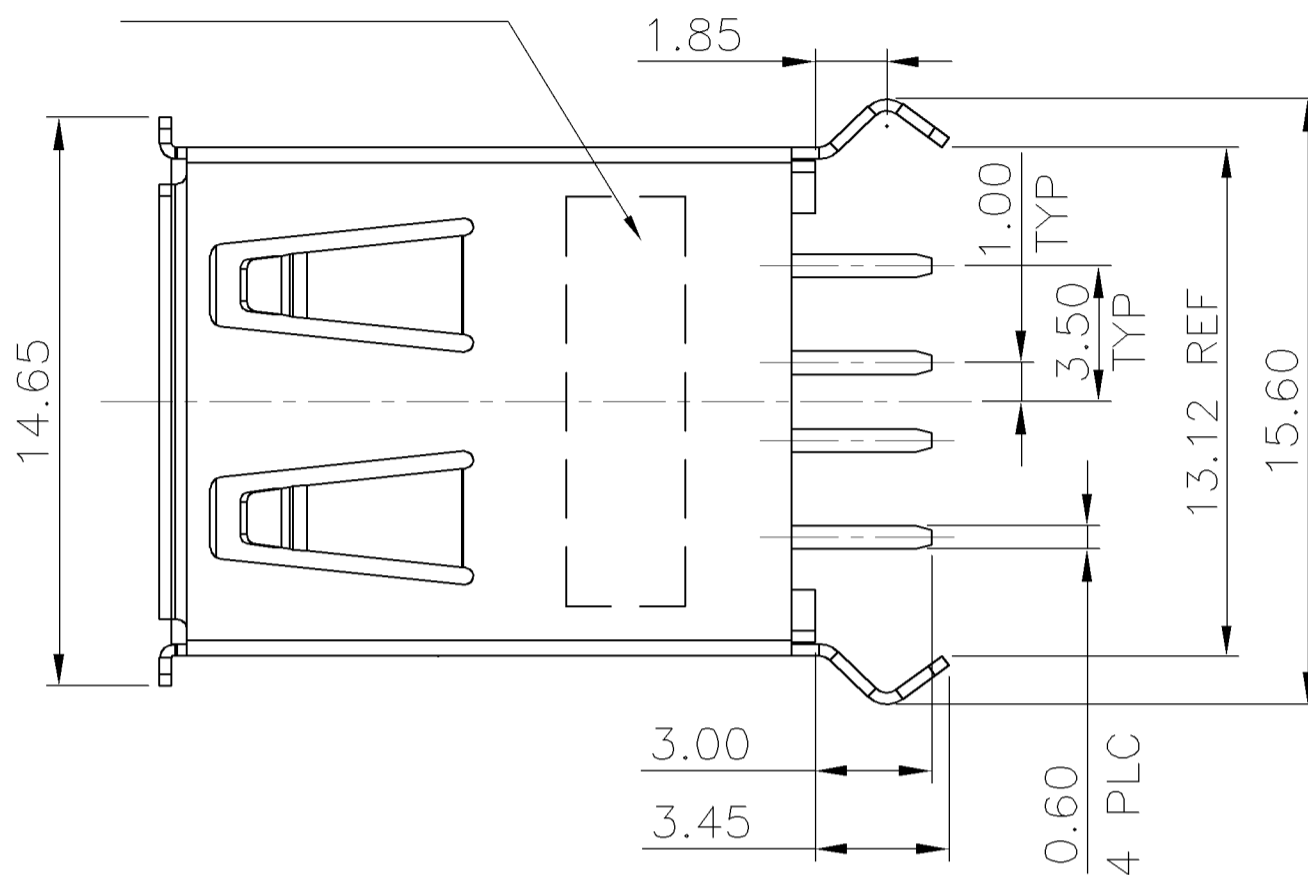
THIS DRAWING IS A CONTROLLED DOCUMENT.		DWN O. HU 17MAY2007	Tyco Electronics Corporation Taipei, Taiwan			
DIMENSIONS: MM		CHK S. HOU 17MAY2007				
TOLERANCES UNLESS OTHERWISE SPECIFIED:		APVD W.J. KE 17MAY2007	NAME			
0 PLC ± - 1 PLC ± 0.35 2 PLC ± 0.25 3 PLC ± - 4 PLC ± - ANGLES ± -		PRODUCT SPEC 108-57549	USB CONNECTOR, A SERIES, VERTICAL, DIP TYPE			
MATERIAL SEE NOTE		QUALIFICATION TEST REPORT 501-57638				
FINISH SEE NOTE		WEIGHT 2.8 GRAMS	SIZE A3	CAGE CODE 00779	DRAWING NO C=1734085	RESTRICTED TO -
CUSTOMER DRAWING			SCALE -	SHEET 2 OF 8	REV A	

THIS DRAWING IS UNPUBLISHED. RELEASED FOR PUBLICATION
 © COPYRIGHT BY TYCO ELECTRONICS CORPORATION. ALL RIGHTS RESERVED.

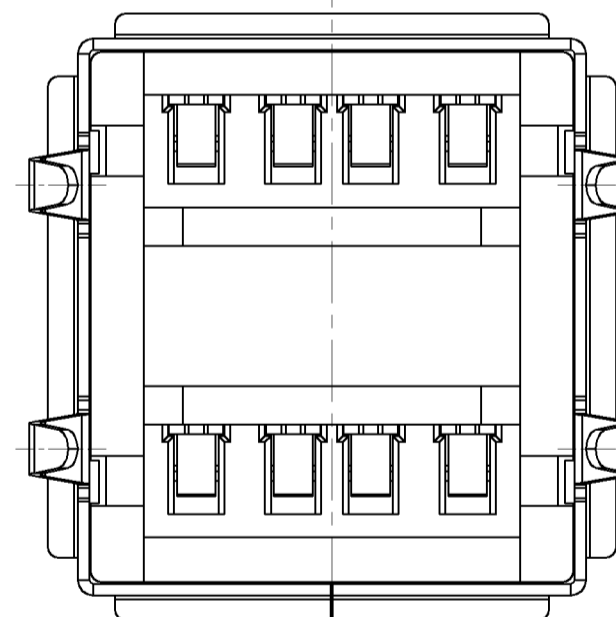
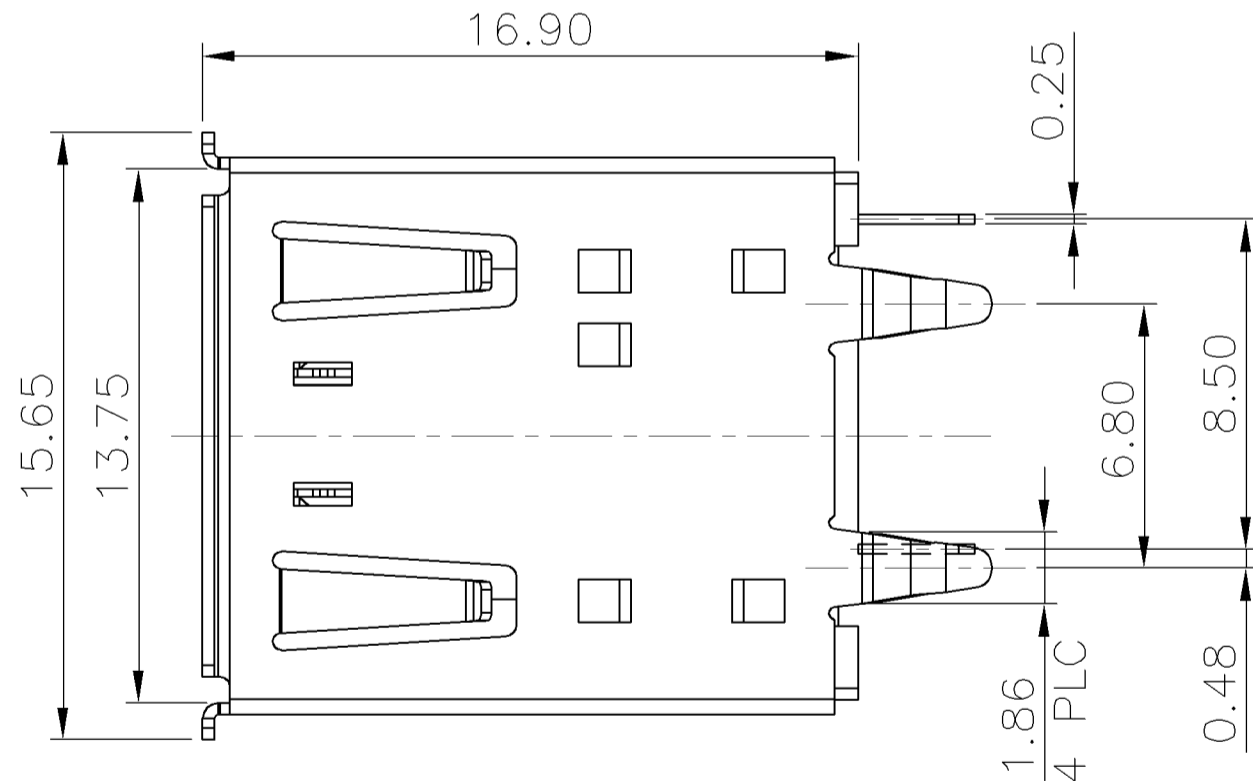
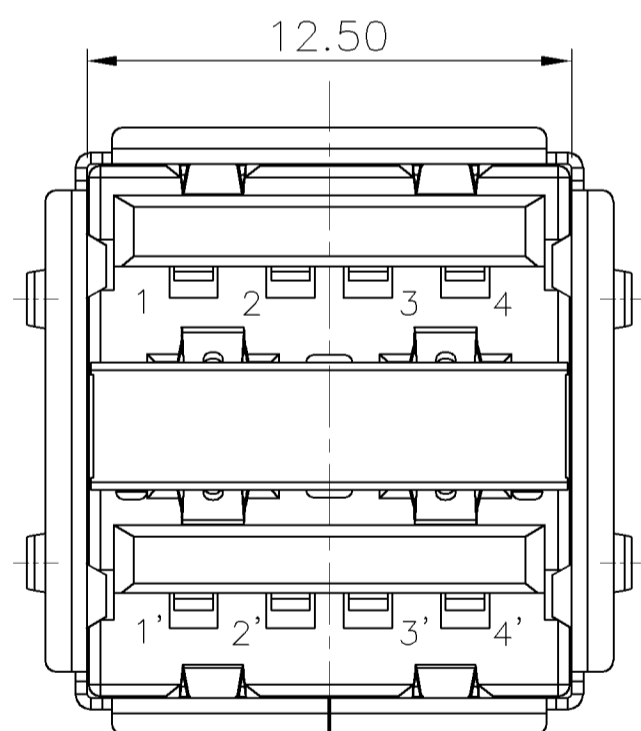
LOC	DIST	REVISIONS					
DW	—	P	LTR	DESCRIPTION	DATE	DWN	APVD
				SEE SHEET 1.			

- NOTES :
- MATERIAL:
HOUSING: THERMOPLASTIC (SEE TABLE), WITH 30% GF. UL94V-0 RATED, BLACK COLOR
CONTACTS: BRASS.
SHIELD: BRASS.
 - FINISH:
CONTACT: 0.762μm [30μ"] MIN. GOLD PLATING ON CONTACT AREA, 3.81μm [150μ"] MIN. BRIGHT TIN PLATING ON SOLDERTAILS, WITH ENTIRE CONTACT UNDERPLATED 1.27μm [50μ"] MIN. NICKEL
SHIELD: 3.048μm [120μ"] MIN. NICKEL PLATING WITH 2.54mm [100μ"] MIN. Cu UNDERPLATING OVERALL
 - WAVE SOLDER CAPABLE TO 240°C PER TYCO TEST SPEC. 109-202, CONDITION A.
 - REFLOW SOLDER CAPABLE TO 260°C PER TYCO TEST SPEC. 109-201, CONDITION B.
 - TID NUMBER IS 61000806 FOR USB 2.0 SPEC.

TYCO LOGO & DATE CODE



RECOMMEND P.C.B LAYOUT (THICKNESS 1.6mm)
 (COMPONENT SIDE) TOLERANCE±0.05mm

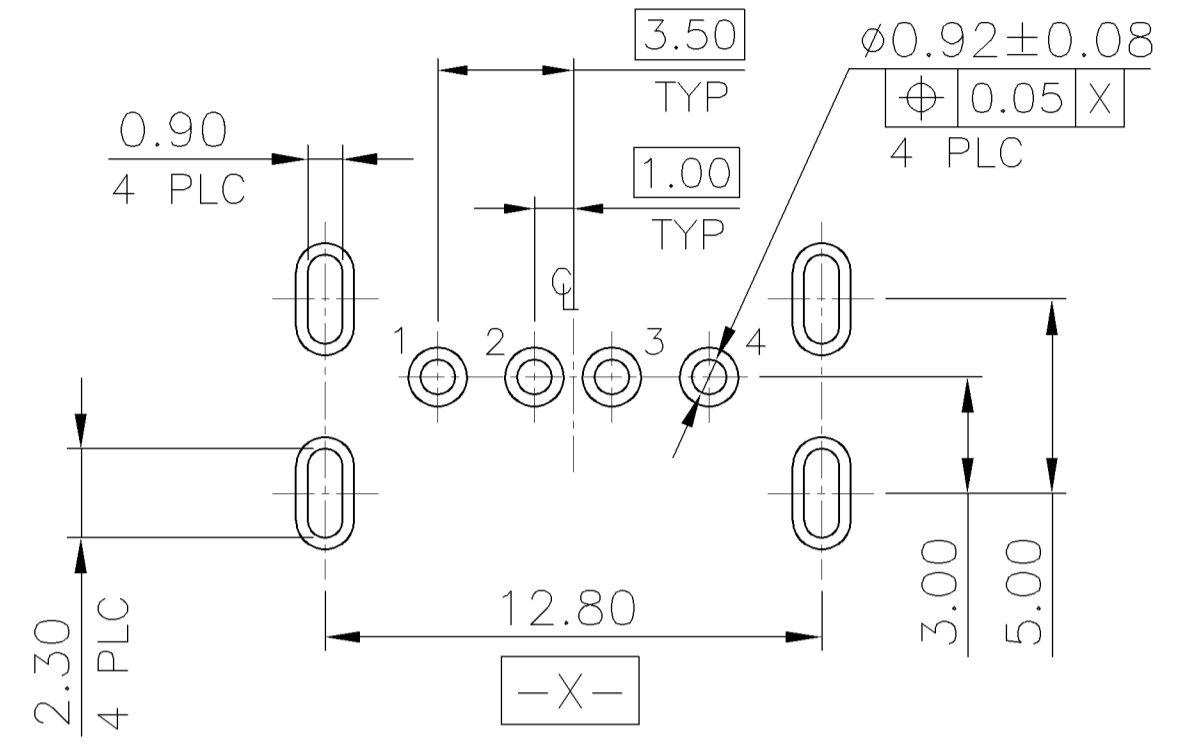
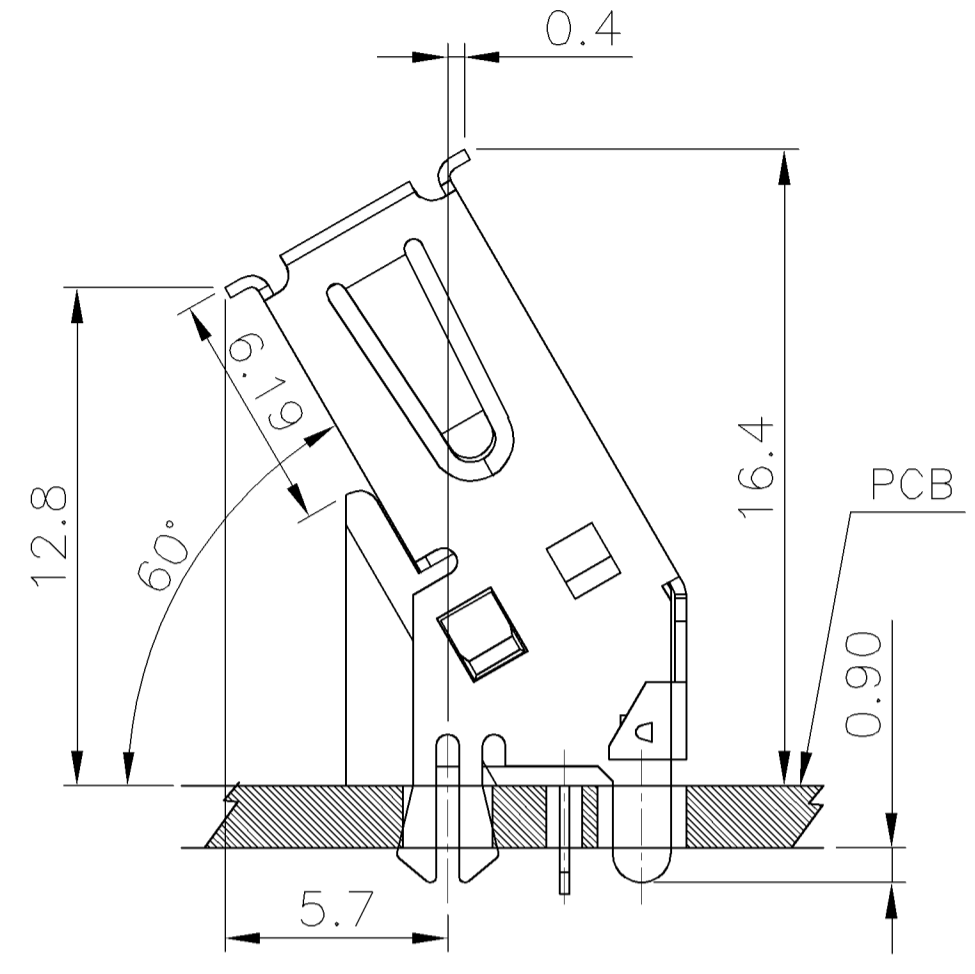
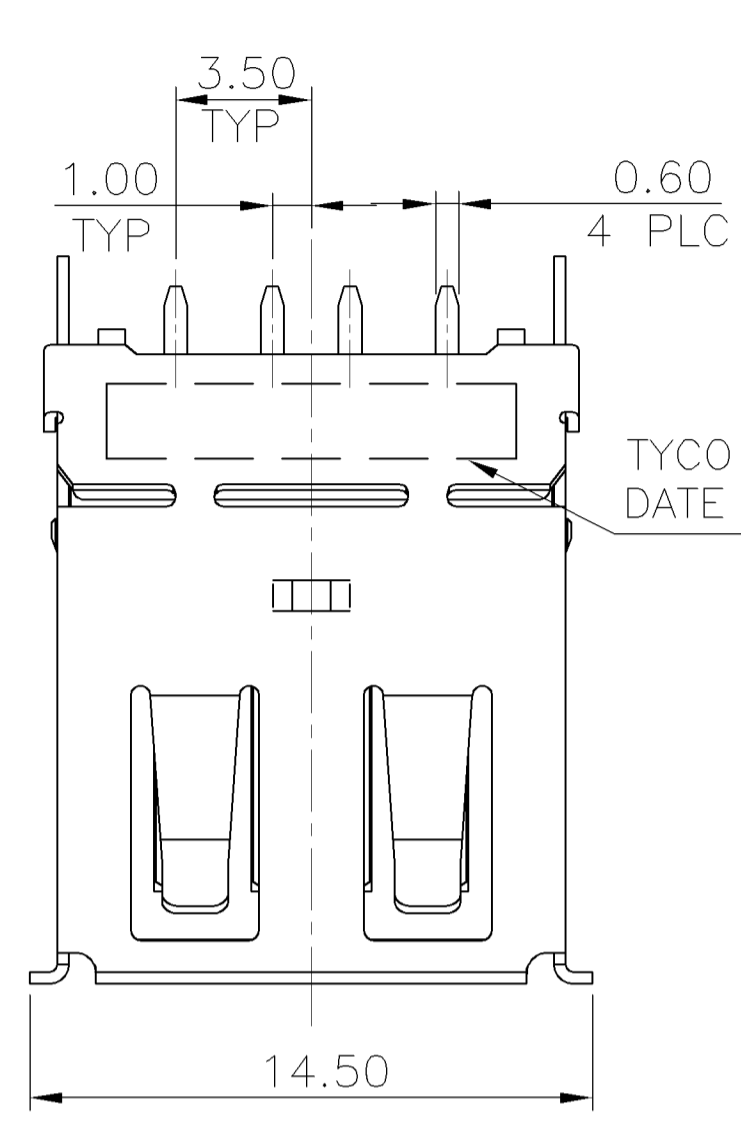


△ PA-9T	TRAY	2-1734085-2
△ PBT	TRAY	2-1734085-1
HSG. MATERIAL	PACKAGE	PART NUMBER

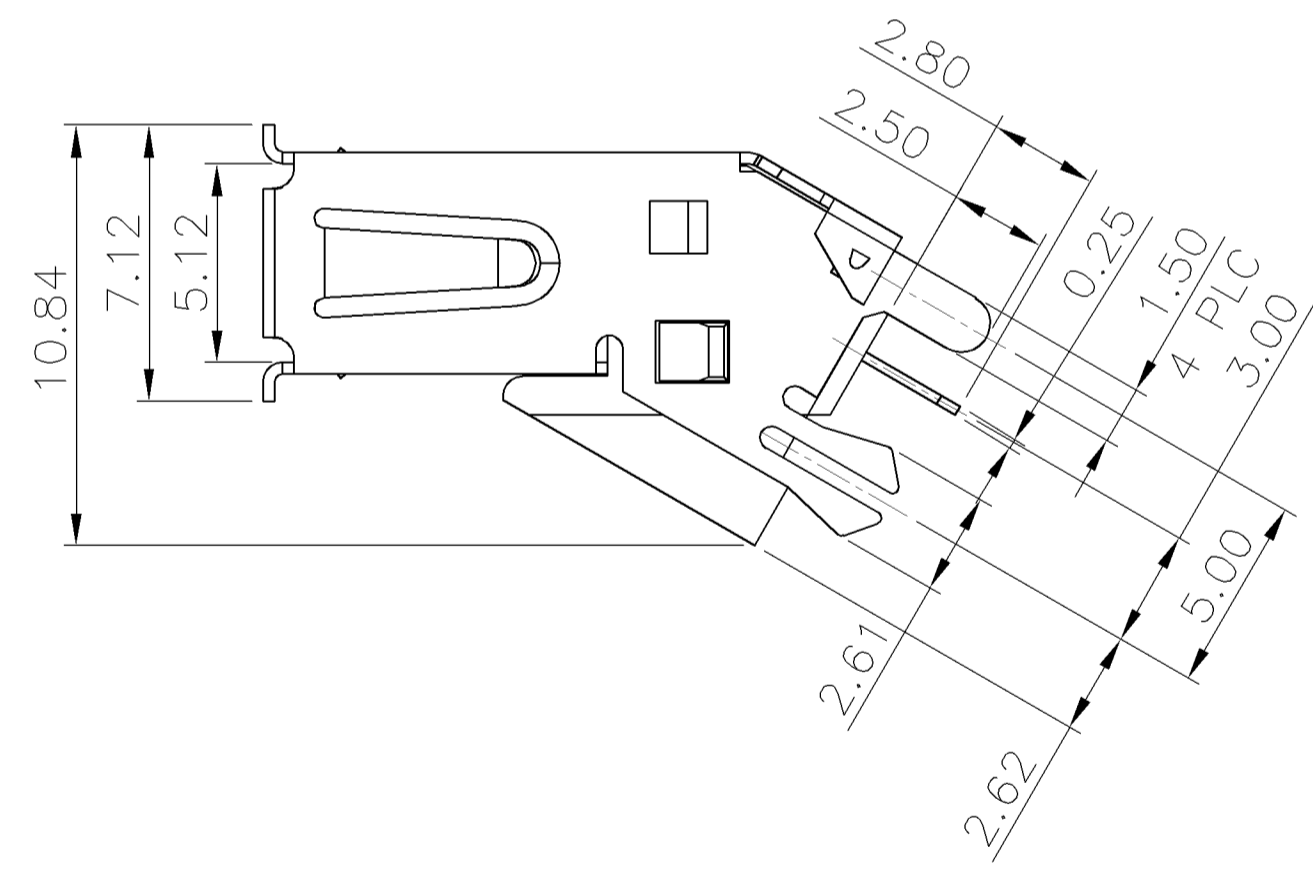
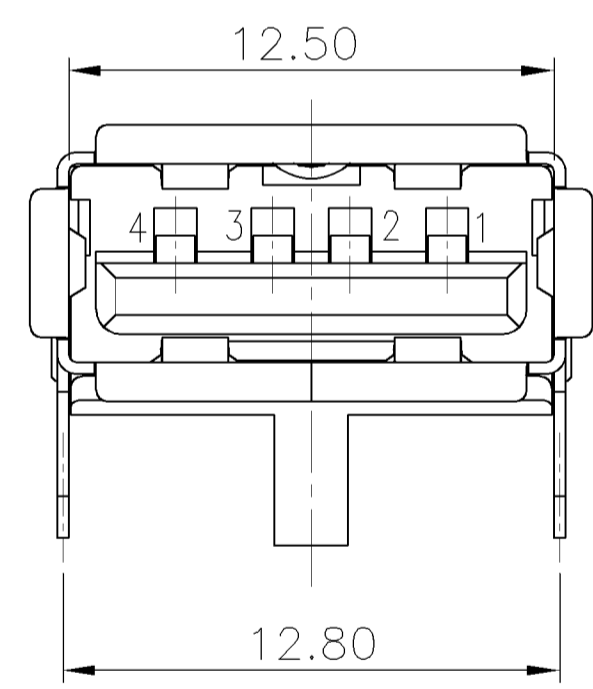
THIS DRAWING IS A CONTROLLED DOCUMENT.		DWN O. HU 17MAY2007	Tyco Electronics Corporation Taipei, Taiwan			
DIMENSIONS: MM		CHK S. HOU 17MAY2007				
TOLERANCES UNLESS OTHERWISE SPECIFIED:		APVD W.J. KE 17MAY2007	NAME			
0 PLC ± - 1 PLC ± 0.35 2 PLC ± 0.25 3 PLC ± - 4 PLC ± - ANGLES ± -		PRODUCT SPEC 108-57549	USB CONNECTOR, A SERIES, VERTICAL, DIP TYPE			
MATERIAL SEE NOTE		QUALIFICATION TEST REPORT 501-57638	SIZE A3	CAGE CODE 00779	DRAWING NO C=1734085	RESTRICTED TO -
FINISH SEE NOTE		WEIGHT 4.57 GRAMS	SCALE -		SHEET 3 OF 8	REV A
		CUSTOMER DRAWING				

THIS DRAWING IS UNPUBLISHED. RELEASED FOR PUBLICATION
 © COPYRIGHT BY TYCO ELECTRONICS CORPORATION. ALL RIGHTS RESERVED.

LOC	DIST	REVISIONS					
DW	—	P	LTR	DESCRIPTION	DATE	DWN	APVD
				SEE SHEET 1.			



RECOMMEND P.C.B LAYOUT (THICKNESS 1.6mm)
 (COMPONENT SIDE) TOLERANCE ±0.05mm



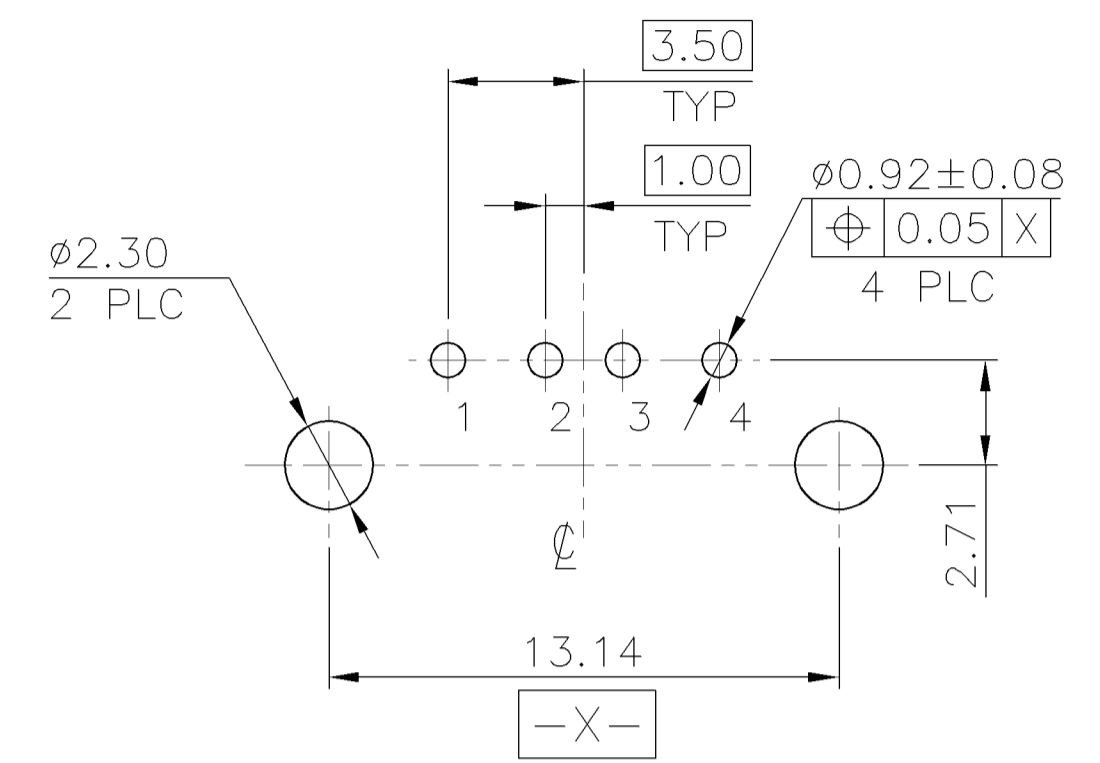
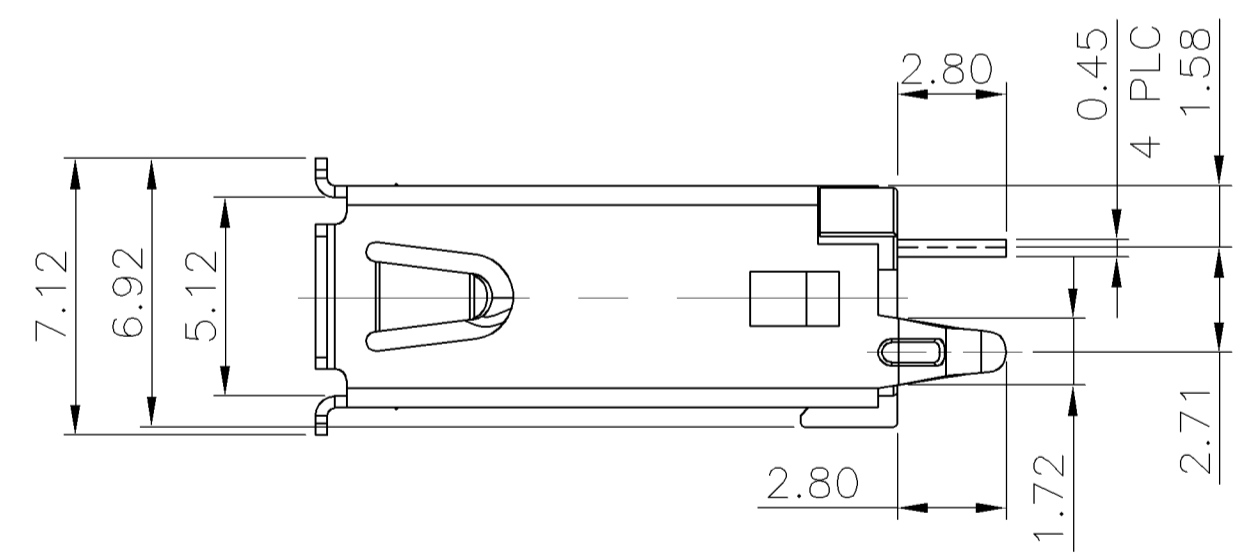
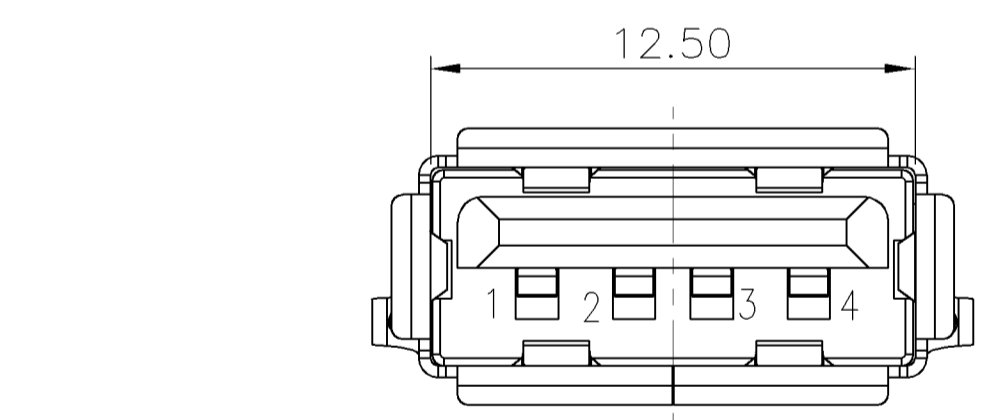
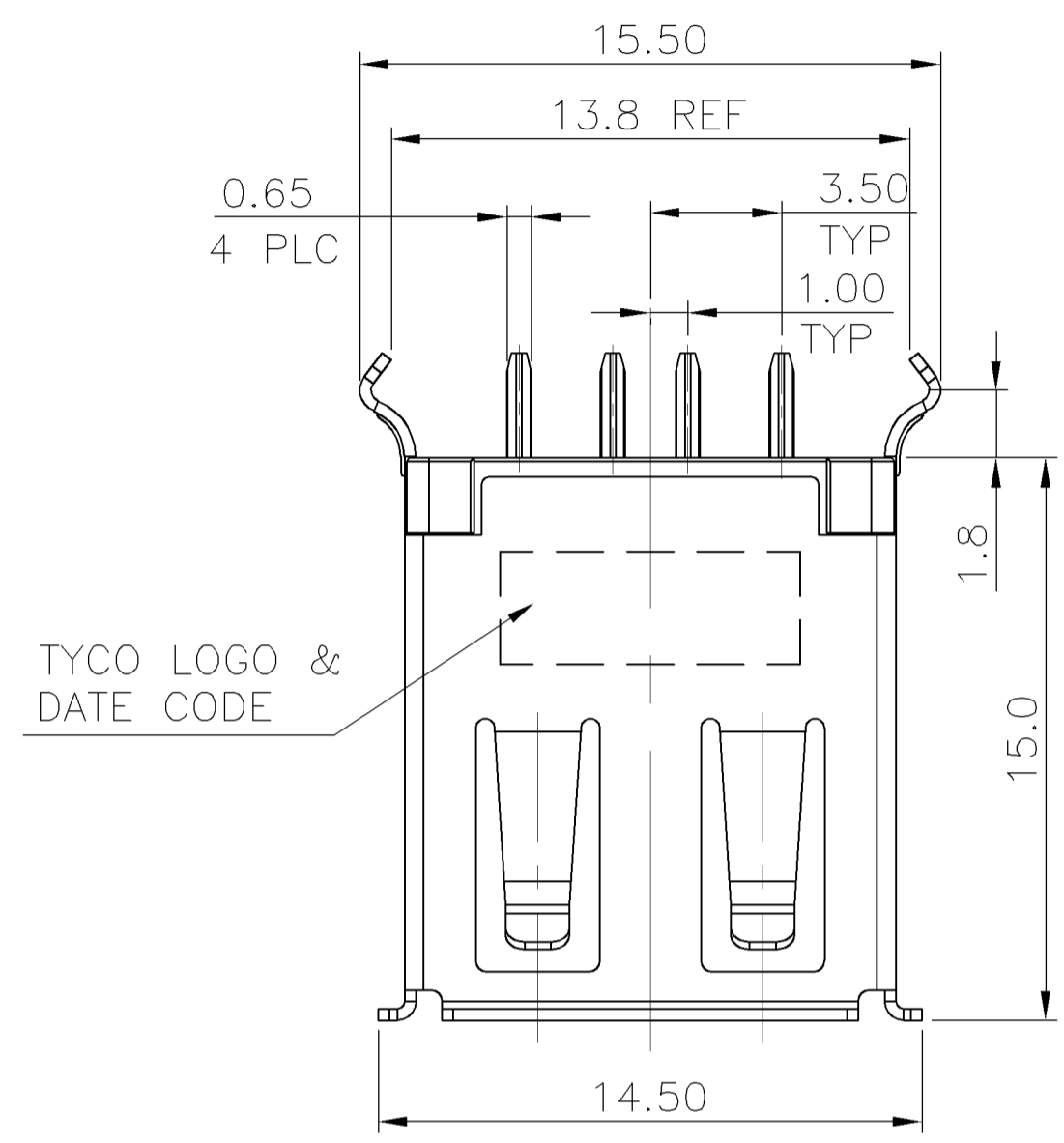
- NOTES :
- MATERIAL:
 HOUSING: THERMOPLASTIC (SEE TABLE), WITH 30% GF.
 UL94V-0 RATED, BLACK COLOR
 CONTACTS: PHOSPHOR BRONZE.
 SHELL: BRASS.
 - FINISH:
 CONTACT: 0.762µm [30µ"] MIN. GOLD PLATING ON CONTACT AREA
 3.048µm [120µ"] MIN. BRIGHT TIN PLATING ON SOLDER TAILS
 WITH ENTIRE CONTACT UNDERPLATED 1.27µm [50µ"] MIN. NICKEL
 SHIELD: 3.048µm [120µ"] MIN. NICKEL PLATING WITH
 1.27µm [50µ"] MIN. Cu UNDERPLATING OVERALL
 - WAVE SOLDER CAPABLE TO 240°C PER TYCO TEST SPEC.
 109-202, CONDITION A.
 - REFLOW SOLDER CAPABLE TO 260°C PER TYCO TEST SPEC.
 109-201, CONDITION B.
 - TID NUMBER IS 61000806 FOR USB 2.0 SPEC.

△ PA-9T	TRAY	3-1734085-2
△ PBT	TRAY	3-1734085-1
HSG. MATERIAL	PACKAGE	PART NUMBER

THIS DRAWING IS A CONTROLLED DOCUMENT.		DWN O. HU 17MAY2007	Tyco Electronics Corporation Taipei, Taiwan	
DIMENSIONS: MM		CHK S. HOU 17MAY2007		
TOLERANCES UNLESS OTHERWISE SPECIFIED:		APVD W.J. KE 17MAY2007	NAME	
0 PLC ± - 1 PLC ± 0.35 2 PLC ± 0.25 3 PLC ± - 4 PLC ± - ANGLES ± -		PRODUCT SPEC 108-57549	USB CONNECTOR, A SERIES, VERTICAL, DIP TYPE	
MATERIAL SEE NOTE		QUALIFICATION TEST REPORT 501-57638	SIZE	CAGE CODE
FINISH SEE NOTE		WEIGHT 2.16 GRAMS	A3	00779
		CUSTOMER DRAWING	DRAWING NO	RESTRICTED TO
			C=1734085	—
		SCALE —	SHEET 4 OF 8	REV A

THIS DRAWING IS UNPUBLISHED. RELEASED FOR PUBLICATION
 © COPYRIGHT - BY TYCO ELECTRONICS CORPORATION. ALL RIGHTS RESERVED.

LOC	DIST	REVISIONS					
DW	-	P	LTR	DESCRIPTION	DATE	DWN	APVD
				SEE SHEET 1.			



RECOMMEND P.C.B LAYOUT (THICKNESS 1.6mm)
 (COMPONENT SIDE) TOLERANCE ±0.05mm

- NOTES :
- MATERIAL:
 HOUSING: THERMOPLASTIC (SEE TABLE), WITH 30% GF. UL94V-0 RATED, BLACK: SEE TABLE
 CONTACTS: PHOSPHOR BRONZE.
 SHIELD: BRASS.
 - FINISH:
 CONTACT: 0.762µm [30µ"] MIN. GOLD PLATING ON CONTACT AREA
 3.81µm [150µ"] MIN. BRIGHT TIN PLATING ON SOLDERTAILS
 WITH ENTIRE CONTACT UNDERPLATED 1.27µm [50µ"] MIN. NICKEL
 SHIELD: 3.048µm [120µ"] MIN. NICKEL PLATING WITH
 2.54µm [100µ"] MIN. Cu UNDERPLATING OVERALL
 - WAVE SOLDER CAPABLE TO 240°C PER TYCO TEST SPEC. 109-202, CONDITION A.
 - REFLOW SOLDER CAPABLE TO 260°C PER TYCO TEST SPEC. 109-201, CONDITION B.
 - TID NUMBER IS 61000806 FOR USB 2.0 SPEC.

NATURE	△ PA-9T	TRAY	4-1734085-2
WHITE	△ PBT	TRAY	4-1734085-1
HSG. COLOR	HSG. MATERIAL	PACKAGE	PART NUMBER

THIS DRAWING IS A CONTROLLED DOCUMENT.		DWN	O. HU	17MAY2007
DIMENSIONS: MM		CHK	S. HOU	17MAY2007
TOLERANCES UNLESS OTHERWISE SPECIFIED:		APVD	W.J. KE	17MAY2007
0 PLC	± -	PRODUCT SPEC		
1 PLC	± 0.35	108-57549		
2 PLC	± 0.25	QUALIFICATION TEST REPORT		
3 PLC	± -	501-57638		
4 PLC	± -	WEIGHT 1.70 GRAMS		
ANGLES	± -	CUSTOMER DRAWING		
FINISH	± -	SCALE - SHEET 5 OF 8 REV A		
SEE NOTE	SEE NOTE	RESTRICTED TO -		

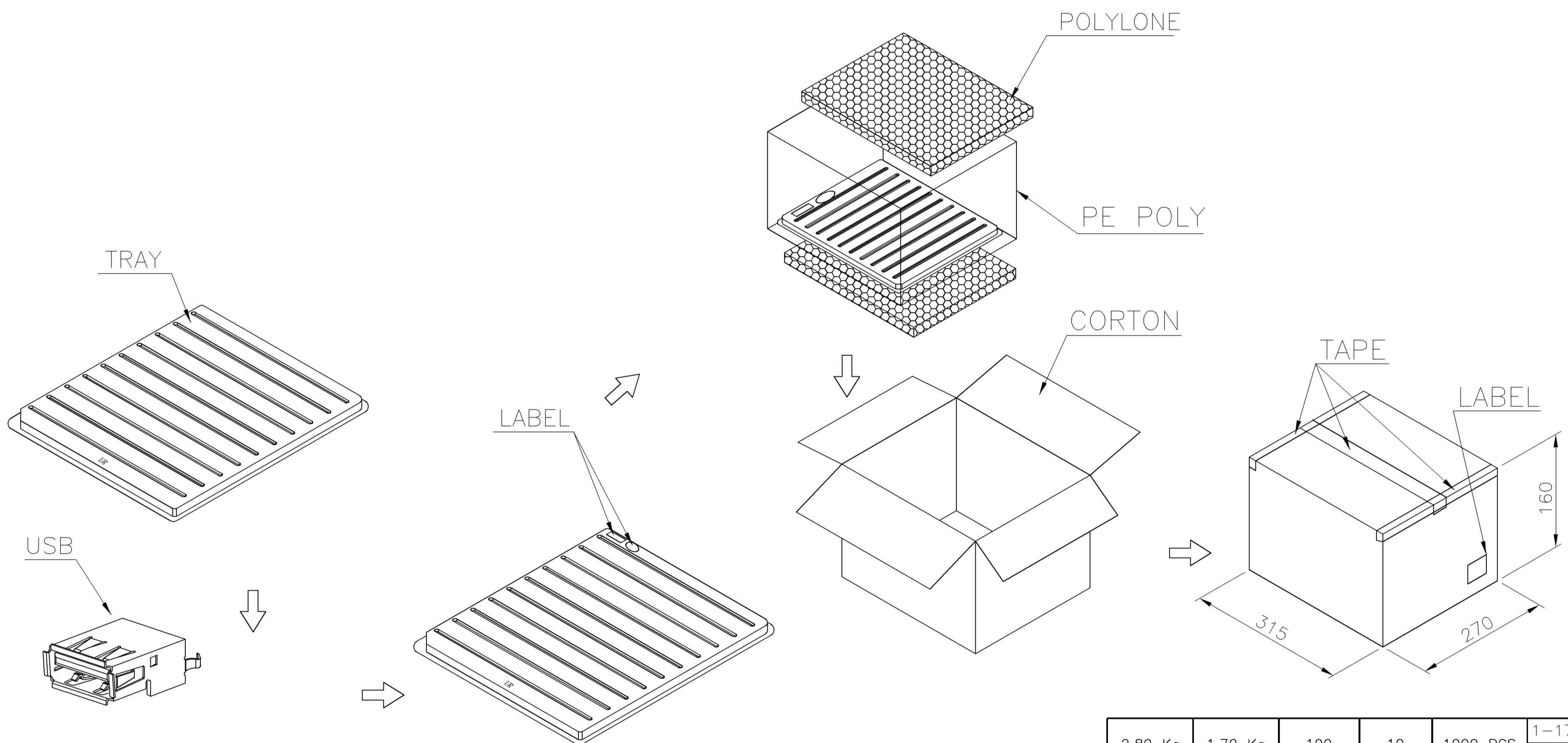
tyco Tyco Electronics Corporation
 Electronics Taipei, Taiwan

NAME: USB CONNECTOR, A SERIES, VERTICAL, DIP TYPE

SIZE: A3 CAGE CODE: 00779 DRAWING NO: C=1734085

THIS DRAWING IS UNPUBLISHED. RELEASED FOR PUBLICATION
 © COPYRIGHT BY TYCO ELECTRONICS CORPORATION. ALL RIGHTS RESERVED.

LOC DW	DIST —	REVISIONS			
P	LTR	DESCRIPTION	DATE	DWN	APVD
		SEE SHEET 1.			

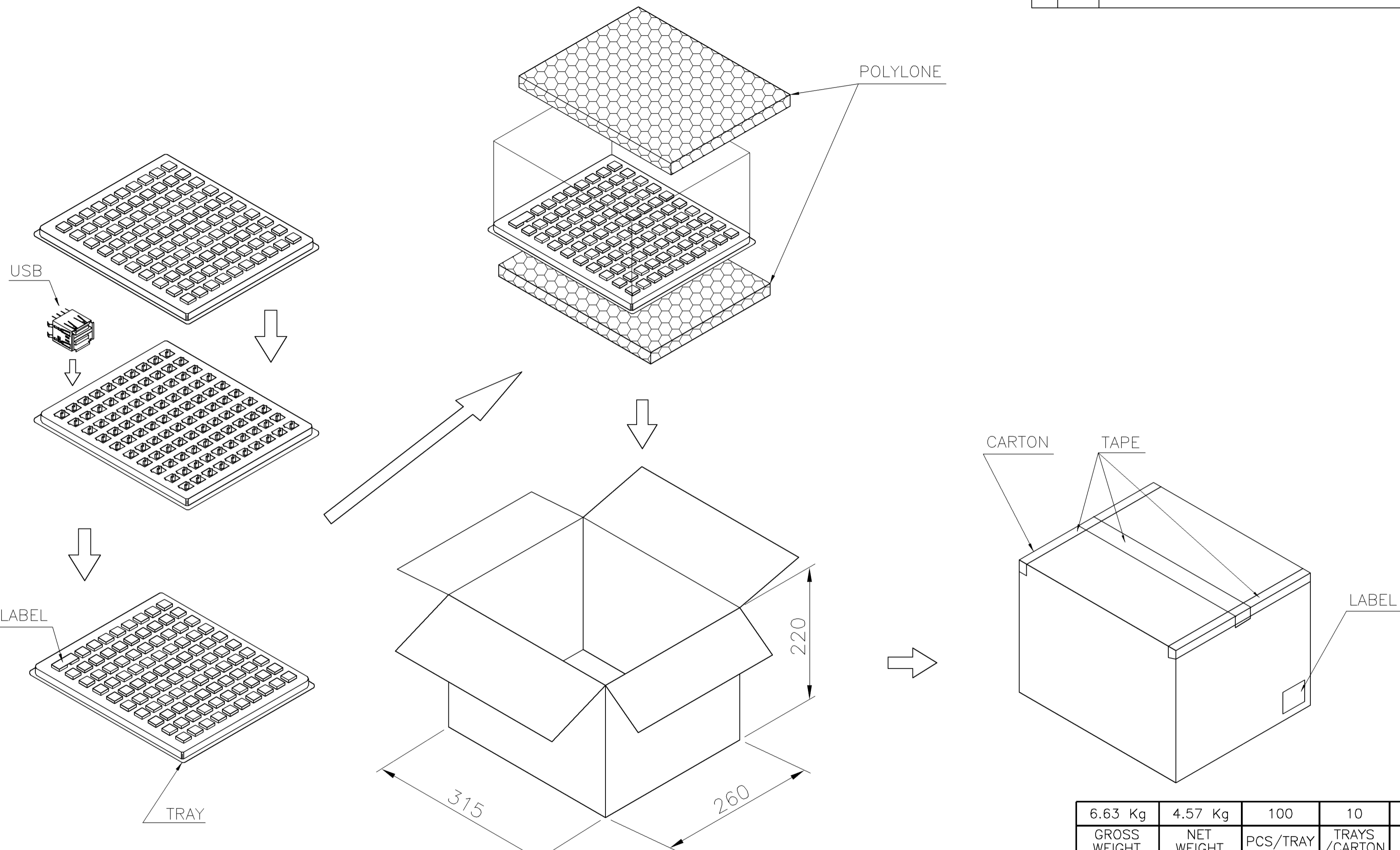


2.89 Kg	1.70 Kg	100	10	1000 PCS	1-1734085-X
GROSS WEIGHT	NET WEIGHT	PCS/TRAY	TRAYS /CARTON	QUANTITY	PART NUMBER
					1734085-X

THIS DRAWING IS A CONTROLLED DOCUMENT.		DWN O. HU 17MAY2007	Tyco Electronics Corporation Taipei, Taiwan		
DIMENSIONS: MM		CHK S. HOU 17MAY2007			
TOLERANCES UNLESS OTHERWISE SPECIFIED:		APVD W.J. KE 17MAY2007	NAME USB CONNECTOR, A SERIES, VERTICAL, DIP TYPE		
0 PLC ± - 1 PLC ± - 2 PLC ± - 3 PLC ± - 4 PLC ± - ANGLES ± -		PRODUCT SPEC —	SIZE A3		
MATERIAL		APPLICATION SPEC —	CAGE CODE 00779	DRAWING NO C=1734085	RESTRICTED TO —
FINISH		WEIGHT —	SCALE —		SHEET 6 OF 8
CUSTOMER DRAWING			REV A		

THIS DRAWING IS UNPUBLISHED. RELEASED FOR PUBLICATION
 © COPYRIGHT BY TYCO ELECTRONICS CORPORATION. ALL RIGHTS RESERVED.

LOC	DIST	REVISIONS					
DW	—	P	LTR	DESCRIPTION	DATE	DWN	APVD
				SEE SHEET 1.			

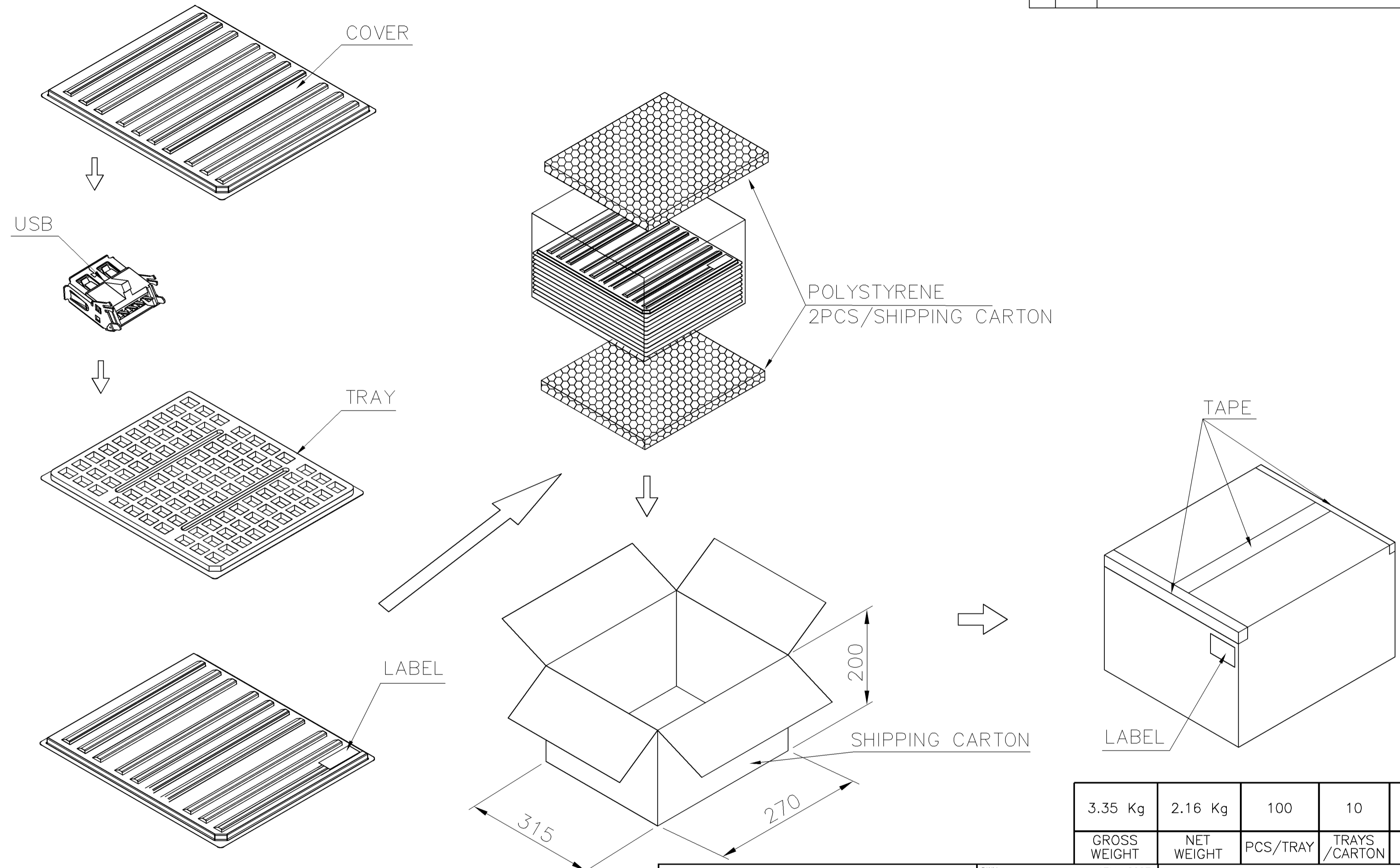


6.63 Kg	4.57 Kg	100	10	1000 PCS	2-1734085-X
GROSS WEIGHT	NET WEIGHT	PCS/TRAY	TRAYS /CARTON	QUANTITY	PART NUMBER

THIS DRAWING IS A CONTROLLED DOCUMENT.		DWN	O. HU	17MAY2007	 Tyco Electronics Corporation Taipei, Taiwan		
DIMENSIONS: MM		CHK	S. HOU	17MAY2007			
		APVD	W.J. KE	17MAY2007			
TOLERANCES UNLESS OTHERWISE SPECIFIED:		PRODUCT SPEC		NAME			
MATERIAL		APPLICATION SPEC		USB CONNECTOR, A SERIES, VERTICAL, DIP TYPE			
FINISH		WEIGHT		SIZE	CAGE CODE	DRAWING NO	RESTRICTED TO
		CUSTOMER DRAWING		A3	00779	C=1734085	—
				SCALE	SHEET	REV	
				—	7 OF 8	A	

THIS DRAWING IS UNPUBLISHED. RELEASED FOR PUBLICATION
 © COPYRIGHT BY TYCO ELECTRONICS CORPORATION. ALL RIGHTS RESERVED.

LOC	DIST	REVISIONS					
DW	—	P	LTR	DESCRIPTION	DATE	DWN	APVD
				SEE SHEET 1.			



3.35 Kg	2.16 Kg	100	10	1000 PCS	4-1734085-X
GROSS WEIGHT	NET WEIGHT	PCS/TRAY	TRAYS /CARTON	QUANTITY	3-1734085-X

THIS DRAWING IS A CONTROLLED DOCUMENT.		DWN	O. HU	17MAY2007	tyco Tyco Electronics Corporation Tapei, Taiwan												
DIMENSIONS: MM		CHK	S. HOU	17MAY2007													
TOLERANCES UNLESS OTHERWISE SPECIFIED:		APVD	W.J. KE	17MAY2007													
<table border="1"> <tr><td>0 PLC</td><td>± -</td></tr> <tr><td>1 PLC</td><td>± -</td></tr> <tr><td>2 PLC</td><td>± -</td></tr> <tr><td>3 PLC</td><td>± -</td></tr> <tr><td>4 PLC</td><td>± -</td></tr> <tr><td>ANGLES</td><td>± -</td></tr> </table>		0 PLC	± -	1 PLC	± -	2 PLC	± -	3 PLC	± -	4 PLC	± -	ANGLES	± -	PRODUCT SPEC		NAME	
0 PLC	± -																
1 PLC	± -																
2 PLC	± -																
3 PLC	± -																
4 PLC	± -																
ANGLES	± -																
MATERIAL		APPLICATION SPEC		USB CONNECTOR, A SERIES, VERTICAL, DIP TYPE													
FINISH		WEIGHT		SIZE	CAGE CODE												
		—		A3	00779												
		CUSTOMER DRAWING		DRAWING NO	RESTRICTED TO												
				C=1734085	—												
				SCALE	SHEET												
				—	8 OF 8												
				REV	A												