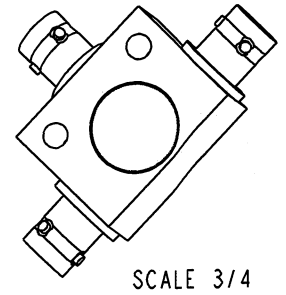
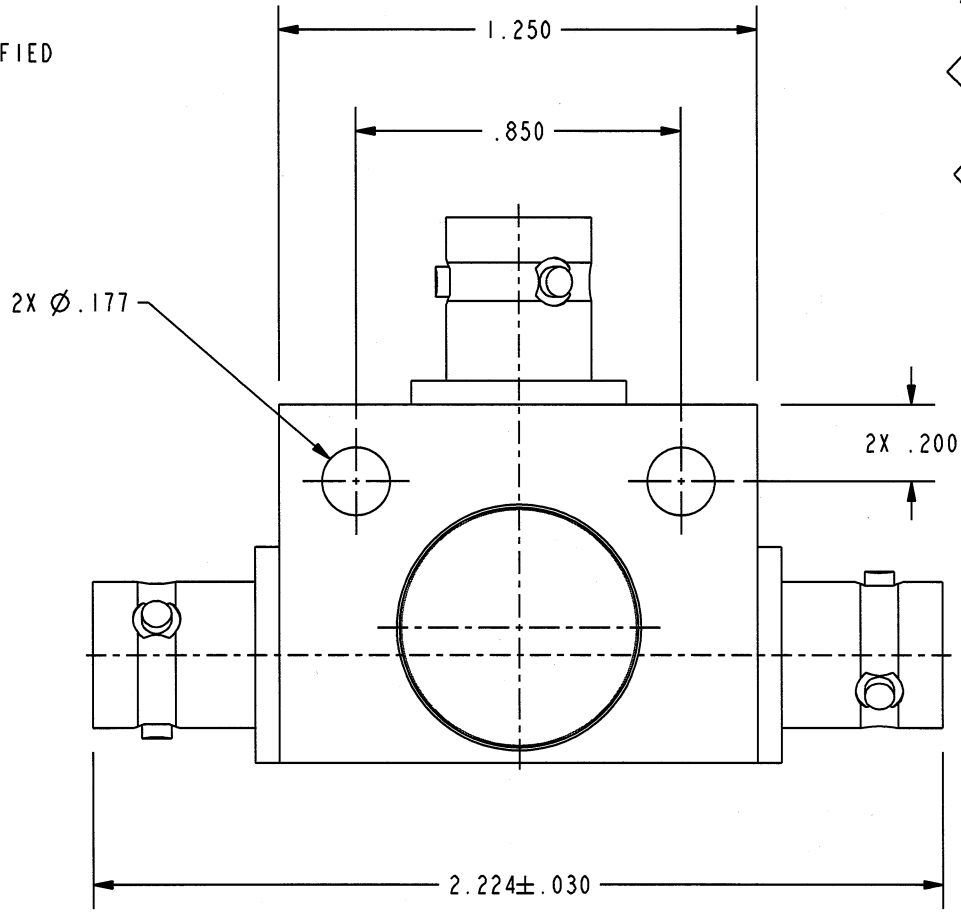
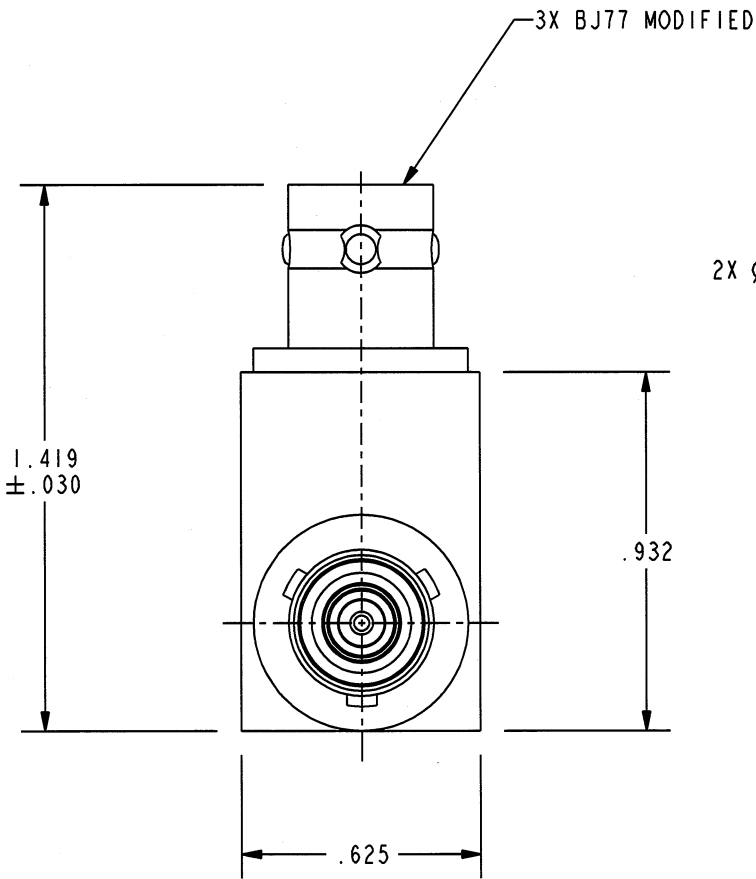


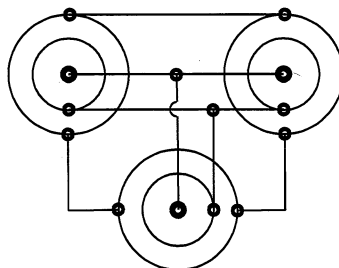
RED INDICATES ORIGINAL

DATA CONTAINED IN THIS DOCUMENT IS PROPRIETARY TO TROMPETER ELECTRONICS INC. AND SHALL NOT BE DISCLOSED, COPIED OR USED FOR PROCUREMENT OR MANUFACTURE WITHOUT EXPRESS WRITTEN PERMISSION.

REVISIONS			
REV	DESCRIPTIONS	DATE	APPROVED
C	REVISED PER ECO 16884	4/3/09	mmx.



SCHEMATIC



- 2. CONCENTRIC TWINAX / TRIAX TEE, ALL RECEPTACLE
- 1. FINISH: TFS-1A (NICKEL)

NOTES: UNLESS OTHERWISE SPECIFIED.

INTERPRET DRAWING PER MIL-STD-100. DIMENSIONS ARE IN INCHES AND INCLUDE FINISH THICKNESS UNLESS OTHERWISE SPECIFIED.

TOL: UNLESS SPECIFIED.
 .XX ± .02
 .XXX ± .010
 ANGLE ± 1°



DRN N JOHNSON	3-12-09	MATERIAL:	TITLE:
CHK <i>mm</i>	4/1/09	FINISH:	TEE, TRIAX ALL RECEPTACLE
QUALITY			
MANUF			
APPROVED <i>mm</i>	4/1/09		
PROJ FILE NO. 305-0146		DO NOT SCALE DWG	

SIZE A	CAGE CODE 14949	DRAWING NO. 305-0146	REV. C
SCALE 2/1	DATE 3-4-74	SHEET IC	