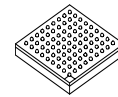


MSC7110



MAP-BGA-400
17 mm × 17 mm

Low-Cost 16-bit DSP with DDR Controller

- StarCore® SC1400 DSP extended core with one SC1400 DSP core, 64 Kbyte of internal SRAM M1 memory, 16 way 16 Kbyte instruction cache (ICache), four-entry write buffer, programmable interrupt controller (PIC), and low-power Wait and Stop processing modes.
- 8 Kbyte boot ROM.
- AHB-Lite crossbar switch that allows parallel data transfers between four master ports and six slave ports, where each port connects to an AHB-Lite bus; fixed or round robin priority programmable at each slave port; programmable bus parking at each slave port; low power mode.
- Internal PLL generates up to 266 MHz clock for the SC1400 core and up to 133 MHz for the crossbar switch, DMA channels, and other peripherals.
- Clock synthesis module provides predivision of PLL input clock; independent clocking of the internal timers and DDR module; programmable operation in the SC1400 low power Stop mode; independent shutdown of different regions of the device.
- Enhanced 16-bit wide host interface (HDI16) provides a glueless connection to industry-standard microcomputers, microprocessors, and DSPs and can also operate with an 8-bit host data bus, making it fully compatible with the DSP56300 HI08 from the external host side.
- DDR memory controller that supports byte enables for up to a 32-bit data bus; glueless interface to 133 MHz 14-bit page mode DDR-RAM; 14-bit external address bus supporting up to 1 Gbyte; and 16-bit or 32-bit external data bus.
- Programmable memory interface with independent read buffers, programmable predictive read feature for each buffer, and a write buffer.
- System control unit performs software watchdog timer function; includes programmable bus time-out monitors on AHB-Lite slave buses; includes bus error detection and programmable time-out monitors on AHB-Lite master buses; and has address out-of-range detection on each crossbar switch buses.
- Event port collects and counts important signal events including DMA and interrupt requests and trigger events such as interrupts, breakpoints, DMA transfers, or wake-up events; units operate independently, in sequence, or triggered externally; can be used standalone or with the OCE10.
- Multi-channel DMA controller with 32 time-multiplexed unidirectional channels, priority-based time-multiplexing between channels using 32 internal priority levels, fixed- or round-robin-priority operation, major-minor loop structure, and DONE or DRACK protocol from requesting units.
- One TDM module with independent receive and transmit, programmable sharing of frame sync and clock, programmable word size (8 or 16-bit), hardware-base A-law/ μ -law conversion, up to 50 Mbps data rate, up to 128 channels, with glueless interface to E1/T1 frames and MVIP, SCAS, and H.110 buses.
- UART with full-duplex operation up to 5.0 Mbps.
- Up to 41 general-purpose input/output (GPIO) ports.
- I²C interface that allows booting from EEPROM devices up to 1 Mbyte.
- Two quad timer modules, each with sixteen configurable 16-bit timers.
- fieldBIST™ unit detects and provides visibility into unlikely field failures for systems with high availability to ensure structural integrity, that the device operates at the rated speed, is free from reliability defects, and reports diagnostics for partial or complete device inoperability.
- Standard JTAG interface allows easy integration to system firmware and internal on-chip emulation (OCE10) module.
- Optional booting external host via 8-bit or 16-bit access through the HDI16, I²C, or SPI using in the boot ROM to access serial SPI Flash/EEPROM devices; different clocking options during boot with the PLL on or off using a variety of input frequency ranges.

Table of Contents

1	Pin Assignments	4	Figure 6.	DDR DRAM Output Timing Diagram	26
1.1	MAP-BGA Ball Layout Diagrams	4	Figure 7.	DDR DRAM AC Test Load	26
1.2	Signal List By Ball Location	6	Figure 8.	TDM Receive Signals	27
2	Specifications	17	Figure 9.	TDM Transmit Signals	27
2.1	Maximum Ratings	17	Figure 10.	Read Timing Diagram, Single Data Strobe	29
2.2	Recommended Operating Conditions	18	Figure 11.	Read Timing Diagram, Double Data Strobe	30
2.3	Thermal Characteristics	18	Figure 12.	Write Timing Diagram, Single Data Strobe	30
2.4	DC Electrical Characteristics	19	Figure 13.	Write Timing Diagram, Double Data Strobe	31
2.5	AC Timings	20	Figure 14.	Host DMA Read Timing Diagram, HPCR[OAD] = 0	31
3	Hardware Design Considerations	38	Figure 15.	Host DMA Write Timing Diagram, HPCR[OAD] = 0	32
3.1	Thermal Design Considerations	38	Figure 16.	I2C Timing Diagram	33
3.2	Power Supply Design Considerations	39	Figure 17.	UART Input Timing	34
3.3	Estimated Power Usage Calculations	46	Figure 18.	UART Output Timing	34
3.4	Reset and Boot	48	Figure 19.	EE Pin Timing	34
3.5	DDR Memory System Guidelines	50	Figure 20.	EVNT Pin Timing	35
4	Ordering Information	53	Figure 21.	GPI/GPO Pin Timing	35
5	Package Information	54	Figure 22.	Test Clock Input Timing Diagram	36
6	Product Documentation	54	Figure 23.	Boundary Scan (JTAG) Timing Diagram	37
7	Revision History	55	Figure 24.	Test Access Port Timing Diagram	37
List of Figures			Figure 25.	TRST Timing Diagram	37
Figure 1.	MSC7110 Block Diagram	3	Figure 26.	Voltage Sequencing Case 1	40
Figure 2.	MSC7110 Molded Array Process-Ball Grid Array (MAP-BGA), Top View	4	Figure 27.	Voltage Sequencing Case 2	41
Figure 3.	MSC7110 Molded Array Process-Ball Grid Array (MAP-BGA), Bottom View	5	Figure 28.	Voltage Sequencing Case 3	42
Figure 4.	Timing Diagram for a Reset Configuration Write	24	Figure 29.	Voltage Sequencing Case 4	43
Figure 5.	DDR DRAM Input Timing Diagram	24	Figure 30.	Voltage Sequencing Case 5	44
			Figure 31.	PLL Power Supply Filter Circuits	45
			Figure 32.	SSTL Termination Techniques	50
			Figure 33.	SSTL Power Value	51

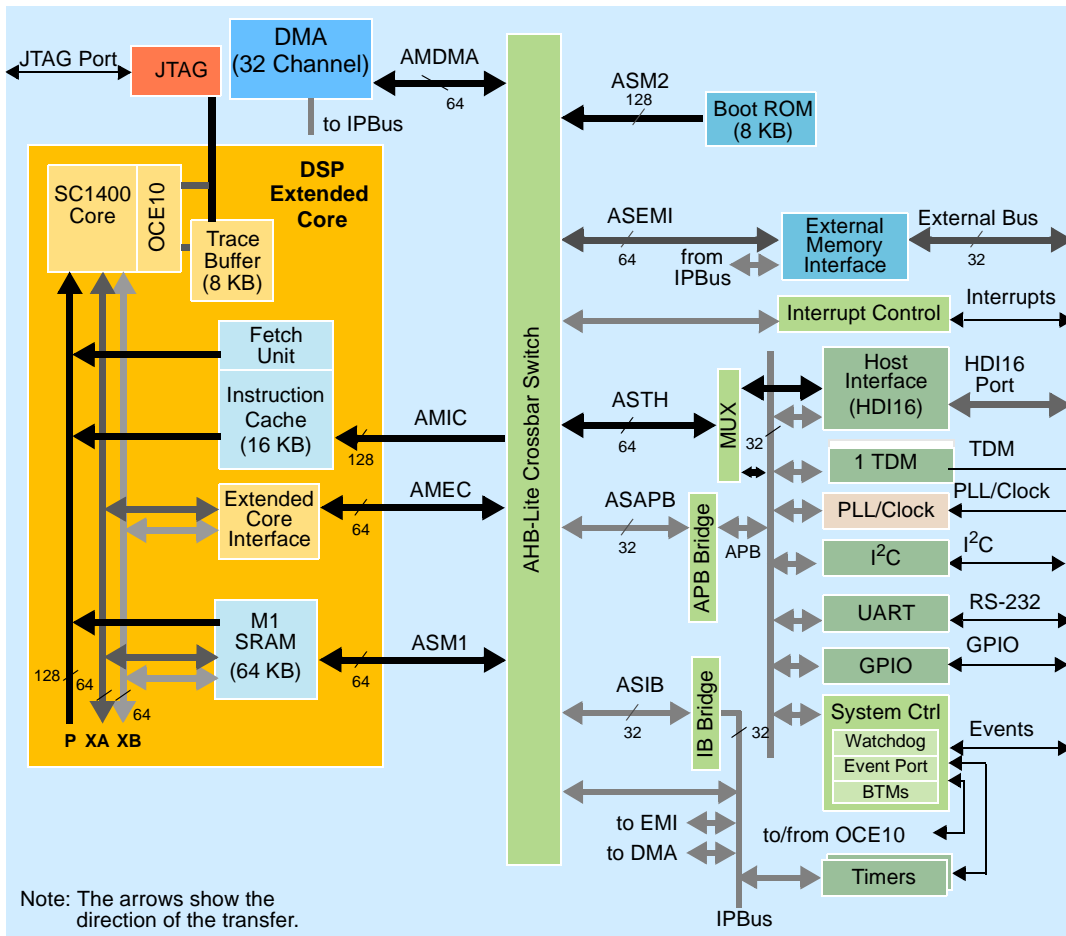


Figure 1. MSC7110 Block Diagram

Because of an order from the United States International Trade Commission, BGA-packaged product lines and part numbers indicated here currently are not available from Freescale for import or sale in the United States prior to September 2010: MSC711XADS

1 Pin Assignments

This section includes diagrams of the MSC7110 package ball grid array layouts and pinout allocation tables.

1.1 MAP-BGA Ball Layout Diagrams

Top and bottom views of the MAP-BGA package are shown in **Figure 2** and **Figure 3** with their ball location index numbers.

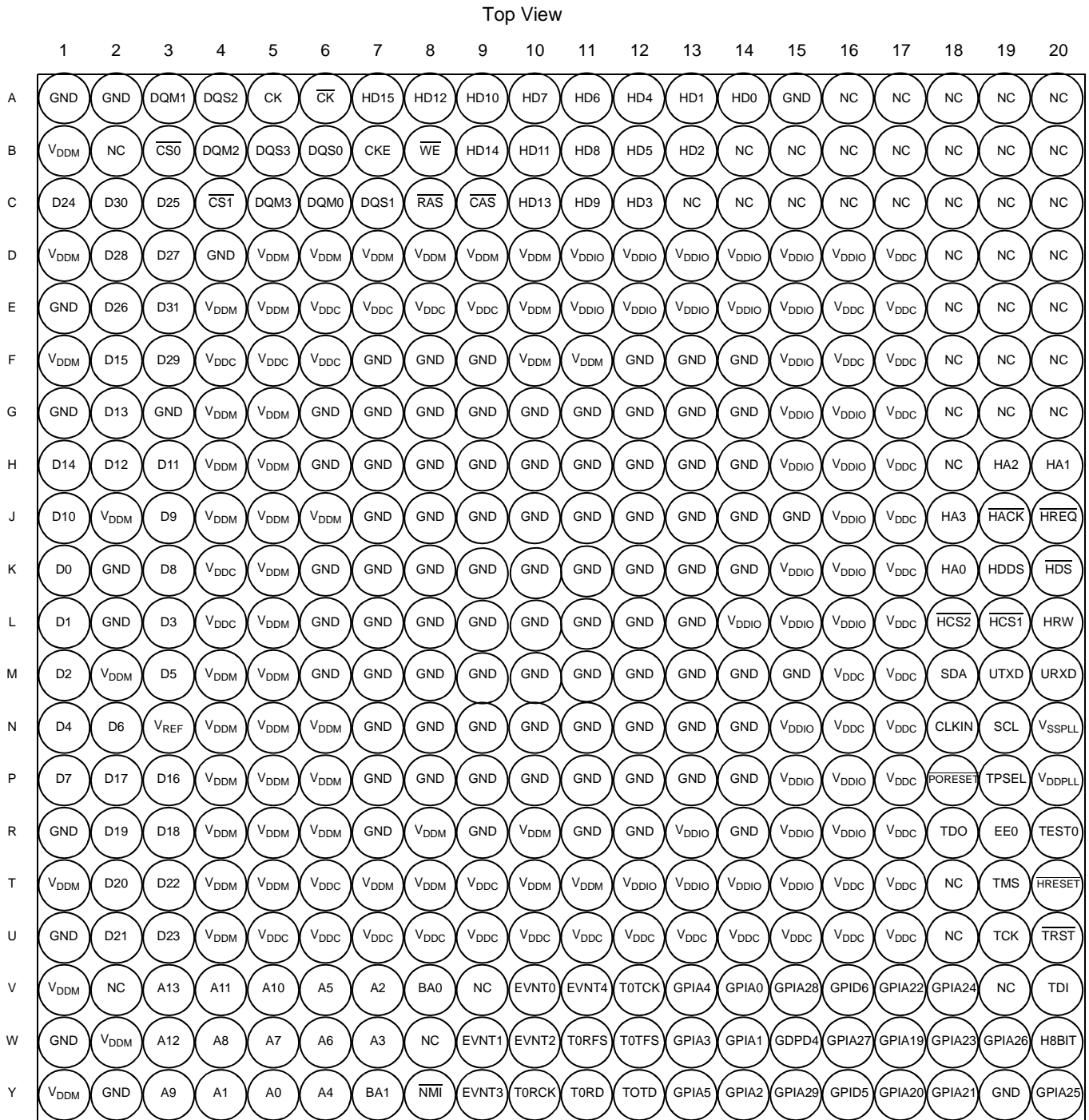


Figure 2. MSC7110 Molded Array Process-Ball Grid Array (MAP-BGA), Top View

Bottom View

	20	19	18	17	16	15	14	13	12	11	10	9	8	7	6	5	4	3	2	1
A	NC	NC	NC	NC	NC	GND	HD0	HD1	HD4	HD6	HD7	HD10	HD12	HD15	\overline{CK}	CK	DQS2	DQM1	GND	GND
B	NC	NC	NC	NC	NC	NC	NC	HD2	HD5	HD8	HD11	HD14	\overline{WE}	CKE	DQS0	DQS3	DQM2	$\overline{CS0}$	NC	V _{DDM}
C	NC	NC	NC	NC	NC	NC	NC	NC	HD3	HD9	HD13	\overline{CAS}	\overline{RAS}	DQS1	DQM0	DQM3	$\overline{CS1}$	D25	D30	D24
D	NC	NC	NC	V _{DD}	V _{DDIO}	V _{DDIO}	V _{DDIO}	V _{DDIO}	V _{DDIO}	V _{DDIO}	V _{DDM}	V _{DDM}	V _{DDM}	V _{DDM}	V _{DDM}	V _{DDM}	GND	D27	D28	V _{DDM}
E	NC	NC	NC	V _{DD}	V _{DD}	V _{DDIO}	V _{DDIO}	V _{DDIO}	V _{DDIO}	V _{DDIO}	V _{DDM}	V _{DD}	V _{DD}	V _{DD}	V _{DD}	V _{DDM}	V _{DDM}	D31	D26	GND
F	NC	NC	NC	V _{DD}	V _{DD}	V _{DDIO}	GND	GND	GND	V _{DDM}	V _{DDM}	GND	GND	GND	V _{DD}	V _{DD}	V _{DD}	D29	D15	V _{DDM}
G	NC	NC	NC	V _{DD}	V _{DDIO}	V _{DDIO}	GND	GND	GND	GND	GND	GND	GND	GND	GND	V _{DDM}	V _{DDM}	GND	D13	GND
H	HA1	HA2	NC	V _{DD}	V _{DDIO}	V _{DDIO}	GND	GND	GND	GND	GND	GND	GND	GND	GND	V _{DDM}	V _{DDM}	D11	D12	D14
J	\overline{HREQ}	\overline{HACK}	HA3	V _{DD}	V _{DDIO}	GND	GND	GND	GND	GND	GND	GND	GND	GND	V _{DDM}	V _{DDM}	V _{DDM}	D9	V _{DDM}	D10
K	\overline{HDS}	\overline{HDDS}	HA0	V _{DD}	V _{DDIO}	V _{DDIO}	GND	GND	GND	GND	GND	GND	GND	GND	GND	V _{DDM}	V _{DD}	D8	GND	D0
L	\overline{HRW}	$\overline{HCS1}$	$\overline{HCS2}$	V _{DD}	V _{DDIO}	V _{DDIO}	V _{DDIO}	GND	GND	GND	GND	GND	GND	GND	GND	V _{DDM}	V _{DD}	D3	GND	D1
M	\overline{URXD}	\overline{UTXD}	SDA	V _{DD}	V _{DD}	GND	GND	GND	GND	GND	GND	GND	GND	GND	GND	V _{DDM}	V _{DDM}	D5	V _{DDM}	D2
N	V _{SSPLL}	SCL	CLKIN	V _{DD}	V _{DD}	V _{DDIO}	GND	GND	GND	GND	GND	GND	GND	GND	V _{DDM}	V _{DDM}	V _{DDM}	V _{REF}	D6	D4
P	V _{DDPLL}	TPSEL	$\overline{PORESET}$	V _{DD}	V _{DDIO}	V _{DDIO}	GND	GND	GND	GND	GND	GND	GND	GND	V _{DDM}	V _{DDM}	V _{DDM}	D16	D17	D7
R	TEST0	EE0	TDO	V _{DD}	V _{DDIO}	V _{DDIO}	GND	V _{DDIO}	GND	GND	V _{DDM}	GND	V _{DDM}	GND	V _{DDM}	V _{DDM}	V _{DDM}	D18	D19	GND
T	\overline{HRESET}	TMS	NC	V _{DD}	V _{DD}	V _{DDIO}	V _{DDIO}	V _{DDIO}	V _{DDIO}	V _{DDM}	V _{DDM}	V _{DD}	V _{DDM}	V _{DDM}	V _{DD}	V _{DDM}	V _{DDM}	D22	D20	V _{DDM}
U	\overline{TRST}	TCK	NC	V _{DD}	V _{DD}	V _{DD}	V _{DD}	V _{DD}	V _{DD}	V _{DD}	V _{DD}	V _{DD}	V _{DD}	V _{DD}	V _{DD}	V _{DD}	V _{DDM}	D23	D21	GND
V	TDI	NC	GPIA24	GPIA22	GPID6	GPIA28	GPIA0	GPIA4	T0TCK	EVNT4	EVNT0	NC	BA0	A2	A5	A10	A11	A13	NC	V _{DDM}
W	H8BIT	GPIA26	GPIA23	GPIA19	GPIA27	GDPD4	GPIA1	GPIA3	T0TFS	T0RFS	EVNT2	EVNT1	NC	A3	A6	A7	A8	A12	V _{DDM}	GND
Y	GPIA25	GND	GPIA21	GPIA20	GPID5	GPIA29	GPIA2	GPIA5	T0TD	T0RD	T0RCK	EVNT3	\overline{NMI}	BA1	A4	A0	A1	A9	GND	V _{DDM}

Note: The display is for mask set 1L44X. For mask set 1M88B, A16 is BM3 and B15 is BM2.

Figure 3. MSC7110 Molded Array Process-Ball Grid Array (MAP-BGA), Bottom View

1.2 Signal List By Ball Location

Table 1 lists the signals sorted by ball number and configuration.

Table 1. MSC7110 Signals by Ball Designator

Number	Signal Names					
	End of Reset	Software Controlled			Hardware Controlled	
		GPI Enabled (Default)	Interrupt Enabled	GPO Enabled	Primary	Alternate
A1		GND				
A2		GND				
A3		DQM1				
A4		DQS2				
A5		CK				
A6		$\overline{\text{CK}}$				
A7		GPIC7		GPOC7	HD15	
A8		GPIC4		GPOC4	HD12	
A9		GPIC2		GPOC2	HD10	
A10		reserved			HD7	
A11		reserved			HD6	
A12		reserved			HD4	
A13		reserved			HD1	
A14		reserved			HD0	
A15		GND				
A16 (1L44X)		NC				
A16 (1M88B)	BM3	GPID8		GPOD7	reserved	
A17		NC				
A18		NC				
A19		NC				
A20		NC				
B1		V_{DDM}				
B2		NC				
B3		$\overline{\text{CS0}}$				
B4		DQM2				
B5		DQS3				
B6		DQS0				
B7		CKE				
B8		$\overline{\text{WE}}$				
B9		GPIC6		GPOC6	HD14	
B10		GPIC3		GPOC3	HD11	
B11		GPIC0		GPOC0	HD8	
B12		reserved			HD5	
B13		reserved			HD2	
B14		NC				
B15 (1L44X)		NC				

Table 1. MSC7110 Signals by Ball Designator (continued)

Number	Signal Names					
	End of Reset	Software Controlled			Hardware Controlled	
		GPI Enabled (Default)	Interrupt Enabled	GPO Enabled	Primary	Alternate
B15 (1M88B)	BM2	GPID7		GPOD7	reserved	
B16		NC				
B17		NC				
B18		NC				
B19		NC				
B20		NC				
C1		D24				
C2		D30				
C3		D25				
C4		$\overline{CS1}$				
C5		DQM3				
C6		DQM0				
C7		DQS1				
C8		\overline{RAS}				
C9		\overline{CAS}				
C10		GPIC5		GPOC5	HD13	
C11		GPIC1		GPOC1	HD9	
C12		reserved			HD3	
C13		NC				
C14		NC				
C15		NC				
C16		NC				
C17		NC				
C18		NC				
C19		NC				
C20		NC				
D1		V_{DDM}				
D2		D28				
D3		D27				
D4		GND				
D5		V_{DDM}				
D6		V_{DDM}				
D7		V_{DDM}				
D8		V_{DDM}				
D9		V_{DDM}				
D10		V_{DDM}				
D11		V_{DDIO}				
D12		V_{DDIO}				

Table 1. MSC7110 Signals by Ball Designator (continued)

Number	Signal Names					
	End of Reset	Software Controlled			Hardware Controlled	
		GPI Enabled (Default)	Interrupt Enabled	GPO Enabled	Primary	Alternate
D13					V _{DDIO}	
D14					V _{DDIO}	
D15					V _{DDIO}	
D16					V _{DDIO}	
D17					V _{DDC}	
D18					NC	
D19					NC	
D20					NC	
E1					GND	
E2					D26	
E3					D31	
E4					V _{DDM}	
E5					V _{DDM}	
E6					V _{DDC}	
E7					V _{DDC}	
E8					V _{DDC}	
E9					V _{DDC}	
E10					V _{DDM}	
E11					V _{DDIO}	
E12					V _{DDIO}	
E13					V _{DDIO}	
E14					V _{DDIO}	
E15					V _{DDIO}	
E16					V _{DDC}	
E17					V _{DDC}	
E18					NC	
E19					NC	
E20					NC	
F1					V _{DDM}	
F2					D15	
F3					D29	
F4					V _{DDC}	
F5					V _{DDC}	
F6					V _{DDC}	
F7					GND	
F8					GND	
F9					GND	
F10					V _{DDM}	

Table 1. MSC7110 Signals by Ball Designator (continued)

Number	Signal Names					
	End of Reset	Software Controlled			Hardware Controlled	
		GPI Enabled (Default)	Interrupt Enabled	GPO Enabled	Primary	Alternate
F11						V _{DDM}
F12						GND
F13						GND
F14						GND
F15						V _{DDIO}
F16						V _{DDC}
F17						V _{DDC}
F18						NC
F19						NC
F20						NC
G1						GND
G2						D13
G3						GND
G4						V _{DDM}
G5						V _{DDM}
G6						GND
G7						GND
G8						GND
G9						GND
G10						GND
G11						GND
G12						GND
G13						GND
G14						GND
G15						V _{DDIO}
G16						V _{DDIO}
G17						V _{DDC}
G18						NC
G19						NC
G20						NC
H1						D14
H2						D12
H3						D11
H4						V _{DDM}
H5						V _{DDM}
H6						GND
H7						GND
H8						GND

Because of an order from the United States International Trade Commission, BGA-packaged product lines and part numbers indicated here currently are not available from Freescale for import or sale in the United States prior to September 2010: MSC711XADS

Table 1. MSC7110 Signals by Ball Designator (continued)

Number	Signal Names					
	End of Reset	Software Controlled			Hardware Controlled	
		GPI Enabled (Default)	Interrupt Enabled	GPO Enabled	Primary	Alternate
H9						GND
H10						GND
H11						GND
H12						GND
H13						GND
H14						GND
H15						V _{DDIO}
H16						V _{DDIO}
H17						V _{DDC}
H18						NC
H19		reserved				HA2
H20		reserved				HA1
J1						D10
J2						V _{DDM}
J3						D9
J4						V _{DDM}
J5						V _{DDM}
J6						V _{DDM}
J7						GND
J8						GND
J9						GND
J10						GND
J11						GND
J12						GND
J13						GND
J14						GND
J15						GND
J16						V _{DDIO}
J17						V _{DDC}
J18 (1L44X)		reserved				HA3
J18 (1M88B)		GPIC11		GPOC11		HA3
J19		reserved				$\overline{\text{HACK}}/\text{HACK}$ or $\overline{\text{HRRQ}}/\text{HRRQ}$
J20	HDSP	reserved				$\overline{\text{HREQ}}/\text{HREQ}$ or $\overline{\text{HTRQ}}/\text{HTRQ}$
K1						D0
K2						GND
K3						D8
K4						V _{DDC}
K5						V _{DDM}

Table 1. MSC7110 Signals by Ball Designator (continued)

Number	Signal Names					
	End of Reset	Software Controlled			Hardware Controlled	
		GPI Enabled (Default)	Interrupt Enabled	GPO Enabled	Primary	Alternate
K6						GND
K7						GND
K8						GND
K9						GND
K10						GND
K11						GND
K12						GND
K13						GND
K14						GND
K15						V _{DDIO}
K16						V _{DDIO}
K17						V _{DCC}
K18		reserved				HA0
K19		reserved				HDDS
K20		reserved				$\overline{\text{HDS}}/\text{HDS}$ or $\overline{\text{HWR}}/\text{HWR}$
L1						D1
L2						GND
L3						D3
L4						V _{DCC}
L5						V _{DDM}
L6						GND
L7						GND
L8						GND
L9						GND
L10						GND
L11						GND
L12						GND
L13						GND
L14						V _{DDIO}
L15						V _{DDIO}
L16						V _{DDIO}
L17						V _{DCC}
L18 (1L44X)		reserved				$\overline{\text{HCS2}}/\text{HCS2}$
L18 (1M88B)		GPIB11		GPOB11		$\overline{\text{HCS2}}/\text{HCS2}$
L19		reserved				$\overline{\text{HCS1}}/\text{HCS1}$
L20		reserved				HRW or $\overline{\text{HRD}}/\text{HRD}$
M1						D2
M2						V _{DDM}

Table 1. MSC7110 Signals by Ball Designator (continued)

Number	Signal Names					
	End of Reset	Software Controlled			Hardware Controlled	
		GPI Enabled (Default)	Interrupt Enabled	GPO Enabled	Primary	Alternate
M3					D5	
M4					V _{DDM}	
M5					V _{DDM}	
M6					GND	
M7					GND	
M8					GND	
M9					GND	
M10					GND	
M11					GND	
M12					GND	
M13					GND	
M14					GND	
M15					GND	
M16					V _{DDC}	
M17					V _{DDC}	
M18		GPIA14	$\overline{\text{IRQ15}}$	GPOA14		SDA
M19		GPIA12	$\overline{\text{IRQ3}}$	GPOA12		UTXD
M20		GPIA13	$\overline{\text{IRQ2}}$	GPOA13		URXD
N1					D4	
N2					D6	
N3					V _{REF}	
N4					V _{DDM}	
N5					V _{DDM}	
N6					V _{DDM}	
N7					GND	
N8					GND	
N9					GND	
N10					GND	
N11					GND	
N12					GND	
N13					GND	
N14					GND	
N15					V _{DDIO}	
N16					V _{DDC}	
N17					V _{DDC}	
N18					CLKIN	
N19		GPIA15	$\overline{\text{IRQ14}}$	GPOA15		SCL
N20					V _{SSPLL}	

Table 1. MSC7110 Signals by Ball Designator (continued)

Number	Signal Names					
	End of Reset	Software Controlled			Hardware Controlled	
		GPI Enabled (Default)	Interrupt Enabled	GPO Enabled	Primary	Alternate
P1				D7		
P2				D17		
P3				D16		
P4				V _{DDM}		
P5				V _{DDM}		
P6				V _{DDM}		
P7				GND		
P8				GND		
P9				GND		
P10				GND		
P11				GND		
P12				GND		
P13				GND		
P14				GND		
P15				V _{DDIO}		
P16				V _{DDIO}		
P17				V _{DDC}		
P18				$\overline{\text{PORESET}}$		
P19				TPSEL		
P20				V _{DDPLL}		
R1				GND		
R2				D19		
R3				D18		
R4				V _{DDM}		
R5				V _{DDM}		
R6				V _{DDM}		
R7				GND		
R8				V _{DDM}		
R9				GND		
R10				V _{DDM}		
R11				GND		
R12				GND		
R13				V _{DDIO}		
R14				GND		
R15				V _{DDIO}		
R16				V _{DDIO}		
R17				V _{DDC}		
R18				TDO		

Table 1. MSC7110 Signals by Ball Designator (continued)

Number	Signal Names					
	End of Reset	Software Controlled			Hardware Controlled	
		GPI Enabled (Default)	Interrupt Enabled	GPO Enabled	Primary	Alternate
R19	reserved			EE0/DBREQ		
R20	TEST0					
T1	V _{DDM}					
T2	D20					
T3	D22					
T4	V _{DDM}					
T5	V _{DDM}					
T6	V _{DDC}					
T7	V _{DDM}					
T8	V _{DDM}					
T9	V _{DDC}					
T10	V _{DDM}					
T11	V _{DDM}					
T12	V _{DDIO}					
T13	V _{DDIO}					
T14	V _{DDIO}					
T15	V _{DDIO}					
T16	V _{DDC}					
T17	V _{DDC}					
T18	NC					
T19	TMS					
T20	HRESET					
U1	GND					
U2	D21					
U3	D23					
U4	V _{DDM}					
U5	V _{DDC}					
U6	V _{DDC}					
U7	V _{DDC}					
U8	V _{DDC}					
U9	V _{DDC}					
U10	V _{DDC}					
U11	V _{DDC}					
U12	V _{DDC}					
U13	V _{DDC}					
U14	V _{DDC}					
U15	V _{DDC}					
U16	V _{DDC}					

Table 1. MSC7110 Signals by Ball Designator (continued)

Number	Signal Names					
	End of Reset	Software Controlled			Hardware Controlled	
		GPI Enabled (Default)	Interrupt Enabled	GPO Enabled	Primary	Alternate
U17	V _{DDC}					
U18	NC					
U19	TCK					
U20	$\overline{\text{TRST}}$					
V1	V _{DDM}					
V2	NC					
V3	A13					
V4	A11					
V5	A10					
V6	A5					
V7	A2					
V8	BA0					
V9	NC					
V10	reserved				EVNT0	
V11	SWTE	GPIA16	$\overline{\text{IRQ12}}$	GPOA16	EVNT4	
V12	GPIA8		$\overline{\text{IRQ6}}$	GPOA8	T0TCK	
V13	GPIA4		$\overline{\text{IRQ1}}$	GPOA4	reserved	
V14	GPIA0		$\overline{\text{IRQ11}}$	GPOA0	reserved	
V15	GPIA28		$\overline{\text{IRQ17}}$	GPOA28	reserved	reserved
V16	GPID6			GPOD6	reserved	reserved
V17	GPIA22		$\overline{\text{IRQ22}}$	GPOA22	reserved	
V18	GPIA24		$\overline{\text{IRQ24}}$	GPOA24	reserved	
V19	NC					
V20	TDI					
W1	GND					
W2	V _{DDM}					
W3	A12					
W4	A8					
W5	A7					
W6	A6					
W7	A3					
W8	NC					
W9	GPIA17		$\overline{\text{IRQ13}}$	GPOA17	EVNT1	CLKO
W10	BM0	GPIC14		GPOC14	EVNT2	
W11	GPIA10		$\overline{\text{IRQ5}}$	GPOA10	T0RFS	
W12	GPIA7		$\overline{\text{IRQ7}}$	GPOA7	T0TFS	
W13	GPIA3		$\overline{\text{IRQ8}}$	GPOA3	reserved	
W14	GPIA1		$\overline{\text{IRQ10}}$	GPOA1	reserved	

Table 1. MSC7110 Signals by Ball Designator (continued)

Number	Signal Names					
	End of Reset	Software Controlled			Hardware Controlled	
		GPI Enabled (Default)	Interrupt Enabled	GPO Enabled	Primary	Alternate
W15	GPID4			GPOD4	reserved	reserved
W16	GPIA27		$\overline{\text{IRQ18}}$	GPOA27	reserved	reserved
W17	GPIA19		$\overline{\text{IRQ19}}$	GPOA19	reserved	
W18	GPIA23		$\overline{\text{IRQ23}}$	GPOA23	reserved	
W19	GPIA26		$\overline{\text{IRQ26}}$	GPOA26	reserved	
W20	H8BIT	reserved				
Y1	V_{DDM}					
Y2	GND					
Y3	A9					
Y4	A1					
Y5	A0					
Y6	A4					
Y7	BA1					
Y8	reserved		$\overline{\text{NMI}}$	reserved		
Y9	BM1	GPIC15		GPOC15	EVNT3	
Y10	GPIA11		$\overline{\text{IRQ4}}$	GPOA11	TORCK	
Y11	GPIA9			GPOA9	TORRD	
Y12	GPIA6			GPOA6	TORRD	
Y13	GPIA5		$\overline{\text{IRQ0}}$	GPOA5	reserved	
Y14	GPIA2		$\overline{\text{IRQ9}}$	GPOA2	reserved	
Y15	GPIA29		$\overline{\text{IRQ16}}$	GPOA29	reserved	reserved
Y16	GPID5			GPOD5	reserved	reserved
Y17	GPIA20		$\overline{\text{IRQ20}}$	GPOA20	reserved	
Y18	GPIA21		$\overline{\text{IRQ21}}$	GPOA21	reserved	
Y19	GND					
Y20	GPIA25		$\overline{\text{IRQ25}}$	GPOA25	reserved	

2 Specifications

This chapter covers power considerations, DC/AC electrical characteristics, and AC timing specifications. For additional information, see the *MSC711x Reference Manual*.

Note: The MSC7110 electrical specifications are preliminary and many are from design simulations. These specifications may not be fully tested or guaranteed at this early stage of the product life cycle. Finalized specifications will be published after thorough characterization and device qualifications have been completed.

2.1 Maximum Ratings

CAUTION

This device contains circuitry protecting against damage due to high static voltage or electrical fields; however, normal precautions should be taken to avoid exceeding maximum voltage ratings. Reliability is enhanced if unused inputs are tied to an appropriate logic voltage level (for example, either GND or V_{DD}).

In calculating timing requirements, adding a maximum value of one specification to a minimum value of another specification does not yield a reasonable sum. A maximum specification is calculated using a worst case variation of process parameter values in one direction. The minimum specification is calculated using the worst case for the same parameters in the opposite direction. Therefore, a “maximum” value for a specification never occurs in the same device with a “minimum” value for another specification; adding a maximum to a minimum represents a condition that can never exist.

Table 2 describes the maximum electrical ratings for the MSC7110.

Table 2. Absolute Maximum Ratings

Rating	Symbol	Value	Unit
Core supply voltage	V_{DDC}	1.5	V
Memory supply voltage	V_{DDM}	4.0	V
PLL supply voltage	V_{DDPLL}	1.5	V
I/O supply voltage	V_{DDIO}	-0.2 to 4.0	V
Input voltage	V_{IN}	(GND - 0.2) to 4.0	V
Reference voltage	V_{REF}	4.0	V
Maximum operating temperature	T_J	105	°C
Minimum operating temperature	T_A	-40	°C
Storage temperature range	T_{STG}	-55 to +150	°C
Notes: <ol style="list-style-type: none"> 1. Functional operating conditions are given in Table 3. 2. Absolute maximum ratings are stress ratings only, and functional operation at the maximum is not guaranteed. Stress beyond the listed limits may affect device reliability or cause permanent damage. 3. Section 3.1, Thermal Design Considerations includes a formula for computing the chip junction temperature (T_J). 			

2.2 Recommended Operating Conditions

Table 3 lists recommended operating conditions. Proper device operation outside of these conditions is not guaranteed.

Table 3. Recommended Operating Conditions

Rating	Symbol	Value	Unit
Core supply voltage	V_{DDC}	1.14 to 1.26	V
Memory supply voltage	V_{DDM}	2.38 to 2.63	V
PLL supply voltage	V_{DDPLL}	1.14 to 1.26	V
I/O supply voltage	V_{DDIO}	3.14 to 3.47	V
Reference voltage	V_{REF}	1.19 to 1.31	V
Operating temperature range	T_J T_A	maximum: 105 minimum: -40	°C °C

2.3 Thermal Characteristics

Table 4 describes thermal characteristics of the MSC7110 for the MAP-BGA package.

Table 4. Thermal Characteristics for MAP-BGA Package

Characteristic	Symbol	MAP-BGA 17 × 17 mm ⁵		Unit
		Natural Convection	200 ft/min (1 m/s) airflow	
Junction-to-ambient ^{1, 2}	$R_{\theta JA}$	39	31	°C/W
Junction-to-ambient, four-layer board ^{1, 3}	$R_{\theta JA}$	23	20	°C/W
Junction-to-board ⁴	$R_{\theta JB}$	12		°C/W
Junction-to-case ⁵	$R_{\theta JC}$	7		°C/W
Junction-to-package-top ⁶	Ψ_{JT}	2		°C/W
Notes: <ol style="list-style-type: none"> Junction temperature is a function of die size, on-chip power dissipation, package thermal resistance, mounting site (board) temperature, ambient temperature, air flow, power dissipation of other components on the board, and board thermal resistance. Per SEMI G38-87 and JEDEC JESD51-2 with the single layer board horizontal. Per JEDEC JESD51-6 with the board horizontal. Thermal resistance between the die and the printed circuit board per JEDEC JESD 51-8. Board temperature is measured on the top surface of the board near the package. Thermal resistance between the die and the case top surface as measured by the cold plate method (MIL SPEC-883 Method 1012.1). Thermal characterization parameter indicating the temperature difference between package top and the junction temperature per JEDEC JESD51-2. 				

Section 3.1, *Thermal Design Considerations* explains these characteristics in detail.

2.4 DC Electrical Characteristics

This section describes the DC electrical characteristics for the MSC7110.

Note: The leakage current is measured for nominal voltage values must vary in the same direction (for example, both V_{DDIO} and V_{DDC} vary by +2 percent or both vary by -2 percent).

Table 5. DC Electrical Characteristics

Characteristic	Symbol	Min	Typical	Max	Unit
Core and PLL voltage	V_{DDC} V_{DDPLL}	1.14	1.2	1.26	V
DRAM interface I/O voltage ¹	V_{DDM}	2.375	2.5	2.625	V
I/O voltage	V_{DDIO}	3.135	3.3	3.465	V
DRAM interface I/O reference voltage ²	V_{REF}	$0.49 \times V_{DDM}$	1.25	$0.51 \times V_{DDM}$	V
DRAM interface I/O termination voltage ³	V_{TT}	$V_{REF} - 0.04$	V_{REF}	$V_{REF} + 0.04$	V
Input high CLKIN voltage	V_{IHCLK}	2.4	3.0	3.465	V
DRAM interface input high I/O voltage	V_{IHM}	$V_{REF} + 0.28$	V_{DDM}	$V_{DDM} + 0.3$	V
DRAM interface input low I/O voltage	V_{ILM}	-0.3	GND	$V_{REF} - 0.18$	V
Input leakage current, $V_{IN} = V_{DDIO}$	I_{IN}	-1.0	0.09	1	μ A
V_{REF} input leakage current	I_{VREF}	—	—	5	μ A
Tri-state (high impedance off state) leakage current, $V_{IN} = V_{DDIO}$	I_{OZ}	-1.0	0.09	1	μ A
Signal low input current, $V_{IL} = 0.4$ V	I_L	-1.0	0.09	1	μ A
Signal high input current, $V_{IH} = 2.0$ V	I_H	-1.0	0.09	1	μ A
Output high voltage, $I_{OH} = -2$ mA, except open drain pins	V_{OH}	2.0	3.0	—	V
Output low voltage, $I_{OL} = 5$ mA	V_{OL}	—	0	0.4	V
Typical core power ⁵ • at 200 MHz • at 266 MHz (mask set 1M88B only)	P_C	— —	222 293	— —	mW mW
Notes: <ol style="list-style-type: none"> The value of V_{DDM} at the MSC7110 device must remain within 50 mV of V_{DDM} at the DRAM device at all times. V_{REF} must be equal to 50% of V_{DDM} and track V_{DDM} variations as measured at the receiver. Peak-to-peak noise must not exceed $\pm 2\%$ of the DC value. V_{TT} is not applied directly to the MSC7110 device. It is the level measured at the far end signal termination. It should be equal to V_{REF}. This rail should track variations in the DC level of V_{REF}. Output leakage for the memory interface is measured with all outputs disabled, $0 \text{ V} \leq V_{OUT} \leq V_{DDM}$. The core power values were measured using a standard EFR pattern at typical conditions (25°C, 200 MHz or 266 MHz, 1.2 V core). 					

Table 6 lists the DDR DRAM capacitance.

Table 6. DDR DRAM Capacitance

Parameter/Condition	Symbol	Max	Unit
Input/output capacitance: DQ, DQS	C_{IO}	30	pF
Delta input/output capacitance: DQ, DQS	C_{DIO}	30	pF
Note: These values were measured under the following conditions: <ul style="list-style-type: none"> $V_{DDM} = 2.5 \text{ V} \pm 0.125 \text{ V}$ $f = 1 \text{ MHz}$ $T_A = 25^\circ\text{C}$ $V_{OUT} = V_{DDM}/2$ V_{OUT} (peak to peak) = 0.2 V 			

2.5 AC Timings

This section presents timing diagrams and specifications for individual signals and parallel I/O outputs and inputs. All AC timings are based on a 30 pF load, except where noted otherwise, and a 50 Ω transmission line. For any additional pF, use the following equations to compute the delay:

- Standard interface: $2.45 + (0.054 \times C_{load})$ ns
- DDR interface: $1.6 + (0.002 \times C_{load})$ ns

2.5.1 Clock and Timing Signals

The following tables describe clock signal characteristics. **Table 7** shows the maximum frequency values for internal (core, reference, and peripherals) and external (CLKO) clocks. You must ensure that maximum frequency values are not exceeded (see for the allowable ranges when using the PLL).

Table 7. Maximum Frequencies

Characteristic	Maximum in MHz	
	Mask Set 1L44X	Mask Set 1M88B
Core clock frequency (CLOCK)	200	266
External output clock frequency (CLKO)	50	67
Memory clock frequency (CK, \overline{CK})	100	133
TDM clock frequency (TxRCK, TxTCK)	50	67

Table 8. Clock Frequencies in MHz

Characteristic	Symbol	Min	Max	
			Mask Set 1L44X	Mask Set 1M88B
CLKIN frequency	F_{CLKIN}	10	100	100
CLOCK frequency	F_{CORE}	—	200	266
CK, \overline{CK} frequency	F_{CK}	—	100	133
TDMxRCK, TDMxTCK frequency	F_{TDMCK}	—	50	50
CLKO frequency	F_{CKO}	—	50	67
AHB/IPBus/APB clock frequency	F_{BCK}	—	100	133
Note: The rise and fall time of external clocks should be 5 ns maximum				

Table 9. System Clock Parameters

Characteristic	Min	Max	Unit
CLKIN frequency	10	100	MHz
CLKIN slope	—	5	ns
CLKIN frequency jitter (peak-to-peak)	—	1000	ps
CLKO frequency jitter (peak-to-peak)	—	150	ps

2.5.2 Configuring Clock Frequencies

This section describes important requirements for configuring clock frequencies in the MSC7110 device when using the PLL block. To configure the device clocking, you must program four fields in the Clock Control Register (CLKCTL):

- PLLDVF field. Specifies the PLL division factor. The output of the divider block is the input to the multiplier block.
- PLLMLTF field. Specifies the PLL multiplication factor. The output from the multiplier block is the VCO.
- RNG field. Selects the available PLL frequency range.
- CKSEL field. Selects the source for the core clock.

There are restrictions on the frequency range permitted at the beginning of the multiplication portion of the PLL that affect the allowable values for the PLLDVF and PLLMLTF fields. The following sections define these restrictions and provide guidelines to configure the device clocking when using the PLL. Refer to the Clock and Power Management chapter in the *MSC711x Reference Manual* for details on the clock programming model.

2.5.2.1 PLL Multiplier Restrictions

There are two restrictions for correct usage of the PLL block:

- The input frequency to the PLL multiplier block (that is, the output of the divider) must be in the range 10.5–19.5 MHz.
- The output frequency of the PLL multiplier must be in the range 300–600 MHz.

When programming the PLL for a desired output frequency using the PLLDVF, PLLMLTF, and RNG fields, you must meet these constraints.

2.5.2.2 Division Factors and Corresponding CLKIN Frequency Range

The value of the PLLDVF field determines the allowable CLKIN frequency range, as shown in **Table 10**.

Table 10. CLKIN Frequency Ranges by Divide Factor Value

PLLDVF Field Value	Divide Factor	CLKIN Frequency Range	Comments
0x00	1	10.5 to 19.5 MHz	Pre-Division by 1
0x01	2	21 to 39 MHz	Pre-Division by 2
0x02	3	31.5 to 58.5 MHz	Pre-Division by 3
0x03	4	42 to 78 MHz	Pre-Division by 4
0x04	5	52.5 to 97.5 MHz	Pre-Division by 5
0x05	6	63 to 100 MHz	Pre-Division by 6
0x06	7	73.5 to 100 MHz	Pre-Division by 7
0x07	8	84 to 100 MHz	Pre-Division by 8
0x08	9	94.5 to 100 MHz	Pre-Division by 9

Note: The maximum CLKIN frequency is 100 MHz. Therefore, the PLLDVF value must be in the range from 1–9.

2.5.2.3 Multiplication Factor Range

The multiplier block output frequency ranges depend on the input clock frequency as shown in **Table 11**.

Table 11. PLLMLTF Ranges

Multiplier Block (Loop) Output Range	Minimum PLLMLTF Value	Maximum PLLMLTF Value
$300 \leq [\text{Pre-Divided Clock} \times (\text{PLLMLTF} + 1)] \leq 600 \text{ MHz}$	300/Pre-Divided Clock	600/Pre-Divided Clock

Note: This table results from the allowed range for F_{Loop} . The minimum and maximum multiplication factors are dependent on the frequency of the Pre-Divided Clock.

2.5.2.4 Allowed Core Clock Frequency Range

The frequency delivered to the core, extended core, and peripheral depends on the value of the CLKCTRL[RNG] bit as shown in **Table 12**.

Table 12. F_{VCO} Frequency Ranges

CLKCTRL[RNG] Value	Allowed Range of F_{VCO}
1	$300 \leq F_{\text{VCO}} \leq 600 \text{ MHz}$
0	$150 \leq F_{\text{VCO}} \leq 300 \text{ MHz}$

Note: This table results from the allowed range for F_{VCO} , which is F_{Loop} modified by CLKCTRL[RNG].

This bit along with the CKSEL determines the frequency range of the core clock.

Table 13. Resulting Ranges Permitted for the Core Clock

CLKCTRL[CKSEL]	CLKCTRL[RNG]	Resulting Division Factor	Allowed Range of Core Clock	Comments
11	1	1	Reserved	Reserved
11	0	2	$150 \leq \text{Core_Clk} \leq 200$ MHz	Limited by range of PLL
01	1	2	$150 \leq \text{Core_Clk} \leq 200$ MHz	Limited by range of PLL
01	0	4	$75 \leq \text{Core_Clk} \leq 150$ MHz	Limited by range of PLL

Note: This table results from the allowed range for F_{OUT} , which depends on clock selected via CLKCTRL[CKSEL].

2.5.2.5 Core Clock Frequency Range When Using DDR Memory

The core clock can also be limited by the frequency range of the DDR devices in the system. Table 14 summarizes this restriction.

Table 14. Core Clock Ranges When Using DDR

DDR Type	Allowed Frequency Range for DDR CK	Corresponding Range for the Core Clock	Comments
DDR 200 (PC-1600)	83–100 MHz	$166 \leq \text{core clock} \leq 200$ MHz	Core limited to $2 \times$ maximum DDR frequency
DDR 266 (PC-2100)	83–133 MHz	$166 \leq \text{core clock} \leq 266$ MHz	Core limited to $2 \times$ maximum DDR frequency
DDR 333 (PC-2600)	83–150 MHz	$166 \leq \text{core clock} \leq 300$ MHz	Core limited to $2 \times$ maximum DDR frequency

2.5.3 Reset Timing

The MSC7110 device has several inputs to the reset logic. All MSC7110 reset sources are fed into the reset controller, which takes different actions depending on the source of the reset. The reset status register indicates the most recent sources to cause a reset. Table 15 describes the reset sources.

Table 15. Reset Sources

Name	Direction	Description
Power-on reset (PORESET)	Input	Initiates the power-on reset flow that resets the MSC7110 and configures various attributes of the MSC7110. On PORESET, the entire MSC7110 device is reset. SPL and DLL states are reset, HRESET is driven, the SC1400 extended core is reset, and system configuration is sampled. The system is configured only when PORESET is asserted.
External Hard reset (HRESET)	Input/ Output	Initiates the hard reset flow that configures various attributes of the MSC7110. While HRESET is asserted, HRESET is an open-drain output. Upon hard reset, HRESET is driven and the SC1400 extended core is reset.
Software watchdog reset	Internal	When the MSC7110 watchdog count reaches zero, a software watchdog reset is signalled. The enabled software watchdog event then generates an internal hard reset sequence.
Bus monitor reset	Internal	When the MSC7110 bus monitor count reaches zero, a bus monitor hard reset is asserted. The enabled bus monitor event then generates an internal hard reset sequence.
JTAG EXTEST, CLAMP, or HIGHZ command	Internal	When a Test Access Port (TAP) executes an EXTEST, CLAMP, or HIGHZ command, the TAP logic asserts an internal reset signal that generates an internal soft reset sequence.

Table 16 summarizes the reset actions that occur as a result of the different reset sources.

Table 16. Reset Actions for Each Reset Source

Reset Action/Reset Source	Power-On Reset (PORESET)	Hard Reset (HRESET)	Soft Reset (SRESET)
	External only	External or Internal (Software Watchdog or Bus Monitor)	JTAG Command: EXTEST, CLAMP, or HIGHZ
Configuration pins sampled (refer to Section 2.5.3.1 for details).	Yes	No	No
PLL and clock synthesis states Reset	Yes	No	No
HRESET Driven	Yes	Yes	No
Software watchdog and bus time-out monitor registers	Yes	Yes	Yes
Clock synthesis modules (STOPCTRL, HLTREQ, and HLTACK) reset	Yes	Yes	Yes
Extended core reset	Yes	Yes	Yes
Peripheral modules reset	Yes	Yes	Yes

2.5.3.1 Power-On Reset (PORESET) Pin

Asserting $\overline{\text{PORESET}}$ initiates the power-on reset flow. $\overline{\text{PORESET}}$ must be asserted externally for at least 16 CLKIN cycles after external power to the MSC7110 reaches at least $2/3 V_{DD}$.

2.5.3.2 Reset Configuration

The MSC7110 has two mechanisms for writing the reset configuration:

- From a host through the host interface (HDI16)
- From memory through the I²C interface

Five signal levels (see **Chapter 1** for signal description details) are sampled on $\overline{\text{PORESET}}$ deassertion to define the boot and operating conditions:

- BM[0–1]
- SWTE
- H8BIT
- HDSP

2.5.3.3 Reset Timing Tables

Table 17 and **Figure 4** describe the reset timing for a reset configuration write.

Table 17. Timing for a Reset Configuration Write

No.	Characteristics	Expression	Unit
1	Required external $\overline{\text{PORESET}}$ duration minimum	$16/F_{\text{CLKIN}}$	clocks
2	Delay from $\overline{\text{PORESET}}$ deassertion to $\overline{\text{HRESET}}$ deassertion	$521/F_{\text{CLKIN}}$	clocks
Note: Timings are not tested, but are guaranteed by design.			

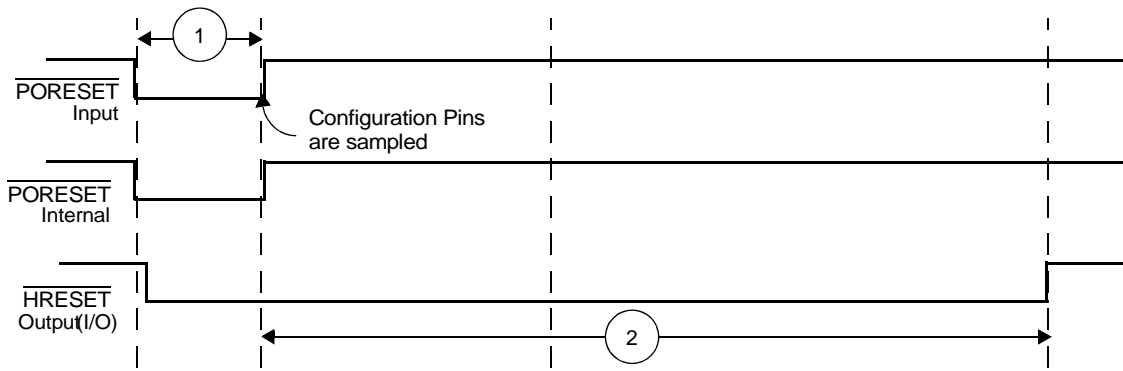


Figure 4. Timing Diagram for a Reset Configuration Write

2.5.4 DDR DRAM Controller Timing

This section provides the AC electrical characteristics for the DDR DRAM interface.

2.5.4.1 DDR DRAM Input AC Timing Specifications

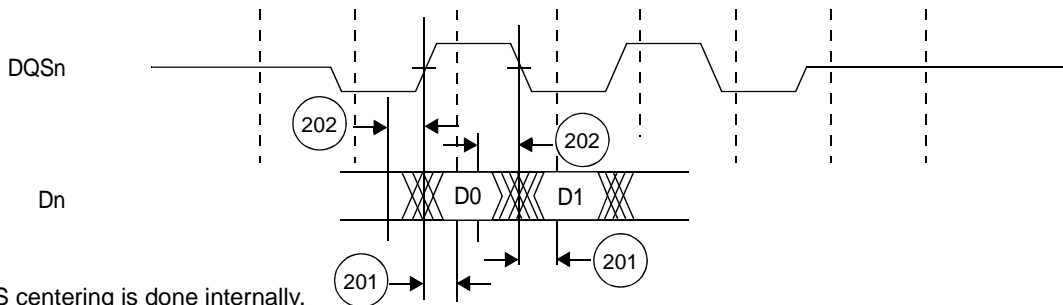
Table 18 provides the input AC timing specifications for the DDR DRAM interface.

Table 18. DDR DRAM Input AC Timing

No.	Parameter	Symbol	Min	Max		Unit
				Mask Set 1L44X	Mask Set 1M88B	
—	AC input low voltage	V_{IL}	—	$V_{REF} - 0.31$	$V_{REF} - 0.31$	V
—	AC input high voltage	V_{IH}	$V_{REF} + 0.31$	$V_{DDM} + 0.3$	$V_{DDM} + 0.3$	V
201	Maximum Dn input setup skew relative to DQSn input	—	—	1026	900	ps
202	Maximum Dn input hold skew relative to DQSn input	—	—	386	900	ps

Notes:

1. Maximum possible skew between a data strobe (DQSn) and any corresponding bit of data (D[8n + {0...7}]) if $0 \leq n \leq 7$.
2. See Table 19 for t_{CK} value.
3. Dn should be driven at the same time as DQSn. This is necessary because the DQSn centering on the DQn data tenure is done internally.



Note: DQS centering is done internally.

Figure 5. DDR DRAM Input Timing Diagram

2.5.4.2 DDR DRAM Output AC Timing Specifications

Table 19 and Table 20 list the output AC timing specifications and measurement conditions for the DDR DRAM interface.

Table 19. DDR DRAM Output AC Timing

No.	Parameter	Symbol	Min		Max	Unit
			Mask Set 1L44X	Mask Set 1M88B		
200	CK cycle time, (CK/ $\overline{\text{CK}}$ crossing) ¹ • 100 MHz (DDR200) • 133 MHz (DDR266)	t_{CK}	10 Not applicable	1.0 7.52	— —	ns ns
204	$\overline{\text{An}}/\overline{\text{RAS}}/\overline{\text{CAS}}/\overline{\text{WE}}/\overline{\text{CKE}}$ output setup with respect to CK	t_{DDKHAS}	$0.5 \times t_{\text{CK}} - 2250$	$0.5 \times t_{\text{CK}} - 1000$	—	ps
205	$\overline{\text{An}}/\overline{\text{RAS}}/\overline{\text{CAS}}/\overline{\text{WE}}/\overline{\text{CKE}}$ output hold with respect to CK	t_{DDKHAX}	$0.5 \times t_{\text{CK}} - 1250$	$0.5 \times t_{\text{CK}} - 1000$	—	ps
206	$\overline{\text{CSn}}$ output setup with respect to CK	t_{DDKHCS}	$0.5 \times t_{\text{CK}} - 2250$	$0.5 \times t_{\text{CK}} - 1000$	—	ps
207	$\overline{\text{CSn}}$ output hold with respect to CK	t_{DDKHCS}	$0.5 \times t_{\text{CK}} - 1250$	$0.5 \times t_{\text{CK}} - 1000$	—	ps
208	CK to DQSn ²	t_{DDKMHM}	–600	–600	600	ps
209	Dn/DQMn output setup with respect to DQSn ³	t_{DDKHDS} , t_{DDKLDS}	$0.25 \times t_{\text{MCK}} - 1050$	$0.25 \times t_{\text{CK}} - 750$	—	ps
210	Dn/DQMn output hold with respect to DQSn ³	t_{DDKHDX} , t_{DDKLDX}	$0.25 \times t_{\text{CK}} - 1050$	$0.25 \times t_{\text{CK}} - 750$	—	ps
211	DQSn preamble start ⁴	t_{DDKHMP}	$-0.25 \times t_{\text{CK}}$	$-0.25 \times t_{\text{CK}}$	—	ps
212	DQSn epilogue end ⁵	t_{DDKHME}	–600	–600	600	ps

Notes:

- All CK/ $\overline{\text{CK}}$ referenced measurements are made from the crossing of the two signals ± 0.1 V.
- t_{DDKMHM} can be modified through the TCFG2[WRDD] DQSS override bits. The DRAM requires that the first write data strobe arrives 75–125% of a DRAM cycle after the write command is issued. Any skew between DQSn and CK must be considered when trying to achieve this 75%–125% goal. The TCFG2[WRDD] bits can be used to shift DQSn by 1/4 DRAM cycle increments. The skew in this case refers to an internal skew existing at the signal connections. By default, the CK/ $\overline{\text{CK}}$ crossing occurs in the middle of the control signal ($\overline{\text{An}}/\overline{\text{RAS}}/\overline{\text{CAS}}/\overline{\text{WE}}/\overline{\text{CKE}}$) tenure. Setting TCFG2[ACSM] bit shifts the control signal assertion 1/2 DRAM cycle earlier than the default timing. This means that the signal is asserted no earlier than 410 ps before the CK/ $\overline{\text{CK}}$ crossing and no later than 677 ps after the crossing time; the device uses 1087 ps of the skew budget (the interval from –410 to +677 ps). Timing is verified by referencing the falling edge of CK. See Chapter 10 of the *MSC711x Reference Manual* for details.
- Determined by maximum possible skew between a data strobe (DQS) and any corresponding bit of data. The data strobe should be centered inside of the data eye.
- Please note that this spec is in reference to the DQSn first rising edge. It could also be referenced from CK(r), but due to programmable delay of the write strobes (TCFG2[WRDD]), there pre-amble may be extended for a full DRAM cycle. For this reason, we reference from DQSn.
- All outputs are referenced to the rising edge of CK. Note that this is essentially the CK/DQSn skew in spec 208. In addition there is no real “maximum” time for the epilogue end. JEDEC does not require this is as a device limitation, but simply for the chip to guarantee fast enough write to read turn-around times. This is already guaranteed by the memory controller operation.

Specifications

Figure 6 shows the DDR DRAM output timing diagram.

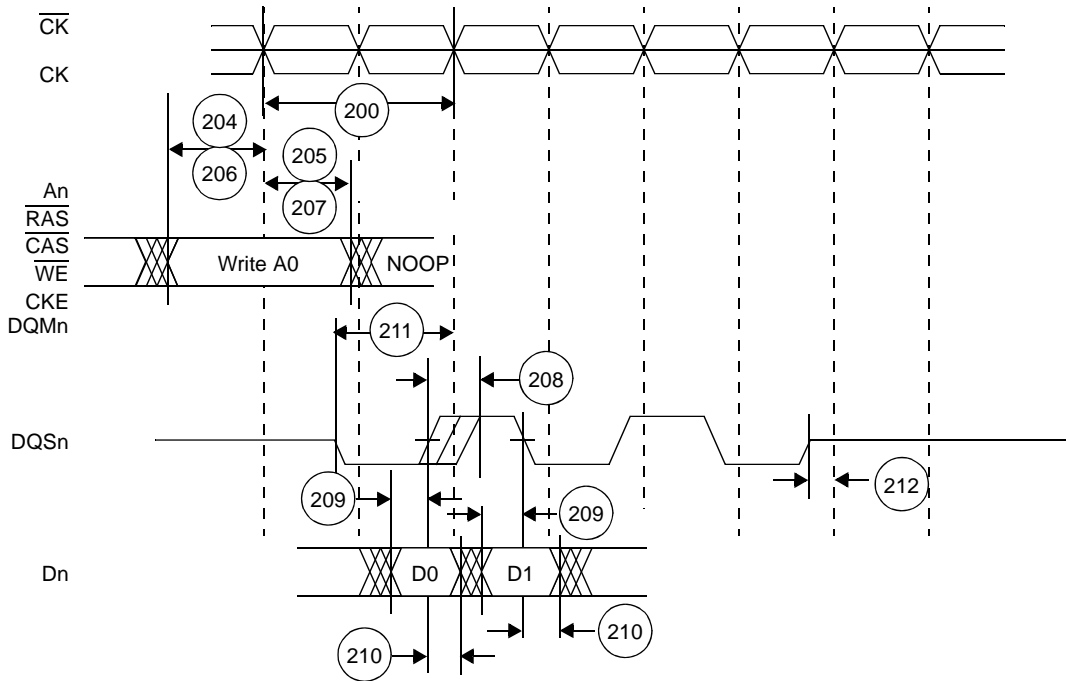


Figure 6. DDR DRAM Output Timing Diagram

Figure 7 provides the AC test load for the DDR DRAM bus.

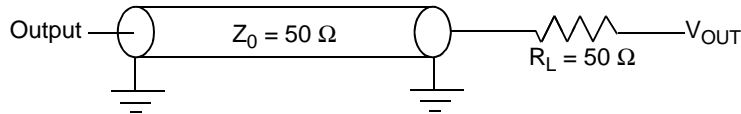


Figure 7. DDR DRAM AC Test Load

Table 20. DDR DRAM Measurement Conditions

Symbol	DDR DRAM	Unit
V_{TH}^1	$V_{REF} \pm 0.31 \text{ V}$	V
V_{OUT}^2	$0.5 \times V_{DDM}$	V

Notes: 1. Data input threshold measurement point.
2. Data output measurement point.

2.5.5 TDM Timing

Table 21. TDM Timing

No.	Characteristic	Expression	Min	Max	Units
300	TDMxRCK/TDMxTCK	TC	20.0	—	ns
301	TDMxRCK/TDMxTCK High Pulse Width	$0.4 \times TC$	8.0	—	ns
302	TDMxRCK/TDMxTCK Low Pulse Width	$0.4 \times TC$	8.0	—	ns
303	TDM all input Setup time		3.0	—	ns
304	TDMxRD Hold time		3.5	—	ns
305	TDMxTFS/TDMxRFS input Hold time		2.0	—	ns
306	TDMxTCK High to TDMxTD output active		4.0	—	ns

Table 21. TDM Timing

No.	Characteristic	Expression	Min	Max	Units
307	TDMxTCK High to TDMxTD output valid		—	14.0	ns
308	TDMxTD hold time		2.0	—	ns
309	TDMxTCK High to TDMxTD output high impedance		—	10.0	ns
310	TDMxTFS/TDMxRFS output valid		—	13.5	ns
311	TDMxTFS/TDMxRFS output hold time		2.5	—	ns

Notes:

- Output values are based on 30 pF capacitive load.
- Inputs are referenced to the sampling that the TDM is programmed to use. Outputs are referenced to the programming edge they are programmed to use. Use of the rising edge or falling edge as a reference is programmable. Refer to the *MSC711x Reference Manual* for details. TDMxTCK and TDMxRCK are shown using the rising edge.

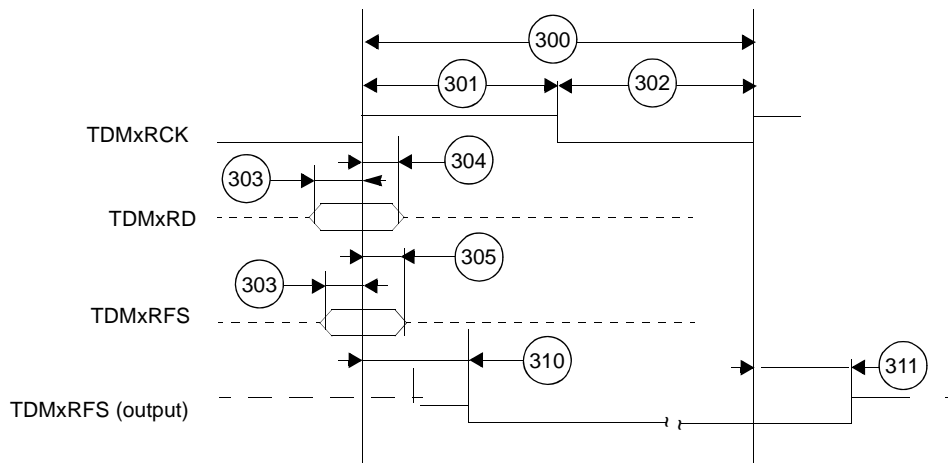


Figure 8. TDM Receive Signals

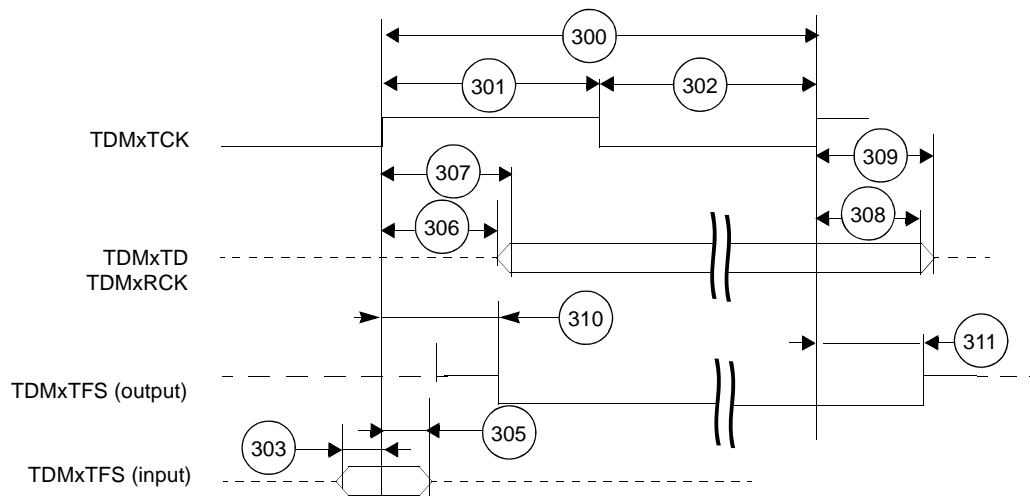


Figure 9. TDM Transmit Signals

2.5.6 HDI16 Signals

Table 22. Host Interface (HDI16) Timing^{1, 2}

No.	Characteristics ³	Mask Set 1L44X		Mask Set 1M88B		Unit
		Expression	Value	Expression	Value	
40	Host Interface Clock period	T_{HCLK}	Note 1	T_{CORE}	Note 1	ns

Table 22. Host Interface (HDI16) Timing^{1, 2} (continued)

No.	Characteristics ³	Mask Set 1L44X		Mask Set 1M88B		Unit
		Expression	Value	Expression	Value	
44a	Read data strobe minimum assertion width ⁴ HACK read minimum assertion width	$3.0 \times T_{HCLK}$	Note 11	$2.0 \times T_{CORE} + 9.0$	Note 11	ns
44b	Read data strobe minimum deassertion width ⁴ HACK read minimum deassertion width	$1.5 \times T_{HCLK}$	Note 11	$1.5 \times T_{CORE}$	Note 11	ns
44c	Read data strobe minimum deassertion width ⁴ after "Last Data Register" reads ^{5,6} , or between two consecutive CVR, ICR, or ISR reads ⁷ HACK minimum deassertion width after "Last Data Register" reads ^{5,6}	$2.5 \times T_{HCLK}$	Note 11	$2.5 \times T_{CORE}$	Note 11	ns
45	Write data strobe minimum assertion width ⁸ HACK write minimum assertion width	$1.5 \times T_{HCLK}$	Note 11	$1.5 \times T_{CORE}$	Note 11	ns
46	Write data strobe minimum deassertion width ⁸ HACK write minimum deassertion width after ICR, CVR and Data Register writes ⁵	$2.5 \times T_{HCLK}$	Note 11	$2.5 \times T_{CORE}$	Note 11	ns
47	Host data input minimum setup time before write data strobe deassertion ⁸ Host data input minimum setup time before $\overline{\text{HACK}}$ write deassertion	—	3.0	—	2.5	ns
48	Host data input minimum hold time after write data strobe deassertion ⁸ Host data input minimum hold time after $\overline{\text{HACK}}$ write deassertion	—	4.0	—	2.5	ns
49	Read data strobe minimum assertion to output data active from high impedance ⁴ HACK read minimum assertion to output data active from high impedance	—	1.0	—	1.0	ns
50	Read data strobe maximum assertion to output data valid ⁴ HACK read maximum assertion to output data valid	$(2.0 \times T_{HCLK}) + 8.0$	Note 11	$(2.0 \times T_{CORE}) + 8.0$	Note 11	ns
51	Read data strobe maximum deassertion to output data high impedance ⁴ HACK read maximum deassertion to output data high impedance	—	8.0	—	9.0	ns
52	Output data minimum hold time after read data strobe deassertion ⁴ Output data minimum hold time after HACK read deassertion	—	1.0	—	1.0	ns
53	HCS[1–2] minimum assertion to read data strobe assertion ⁴	—	0.0	—	0.5	ns
54	HCS[1–2] minimum assertion to write data strobe assertion ⁸	—	0.0	—	0.0	ns
55	HCS[1–2] maximum assertion to output data valid	$(2.0 \times T_{HCLK}) + 8.0$	Note 11	$(2.0 \times T_{CORE}) + 6.0$	Note 11	ns
56	HCS[1–2] minimum hold time after data strobe deassertion ⁹	—	0.0	—	0.5	ns
57	HA[0–3], HRW minimum setup time before data strobe assertion ⁹	—	5.0	—	5.0	ns
58	HA[0–3], HRW minimum hold time after data strobe deassertion ⁹	—	5.0	—	5.0	ns
61	Maximum delay from read data strobe deassertion to host request deassertion for "Last Data Register" read ^{4, 5, 10}	$(3.0 \times T_{HCLK}) + 8.0$	Note 11	$(3.0 \times T_{CORE}) + 6.0$	Note 11	ns
62	Maximum delay from write data strobe deassertion to host request deassertion for "Last Data Register" write ^{5,8,10}	$(3.0 \times T_{HCLK}) + 8.0$	Note 11	$(3.0 \times T_{CORE}) + 6.0$	Note 11	ns
63	Minimum delay from DMA HACK (OAD=0) or Read/Write data strobe(OAD=1) deassertion to HREQ assertion.	$(2.0 \times T_{HCLK}) + 1.0$	Note 11	$(2.0 \times T_{CORE}) + 1.0$	Note 11	ns
64	Maximum delay from DMA HACK (OAD=0) or Read/Write data strobe(OAD=1) assertion to HREQ deassertion	$(5.0 \times T_{HCLK}) + 8.0$	Note 11	$(5.0 \times T_{CORE}) + 6.0$	Note 11	ns

Table 22. Host Interface (HDI16) Timing^{1, 2} (continued)

No.	Characteristics ³	Mask Set 1L44X		Mask Set 1M88B		Unit
		Expression	Value	Expression	Value	
Notes:	<ol style="list-style-type: none"> 1. $T_{HCLK} = 2 / (\text{Core Clock})$. At 200 MHz, $T_{HCLK} = 10 \text{ ns}$. $T_{CORE} = \text{core clock period}$. At 266 MHz, $T_{CORE} = 3.75 \text{ ns}$. 2. In the timing diagrams below, the controls pins are drawn as active low. The pin polarity is programmable. 3. $V_{DD} = 3.3 \text{ V} \pm 0.15 \text{ V}$; $T_J = -40^\circ\text{C}$ to $+105^\circ\text{C}$, $C_L = 30 \text{ pF}$ for maximum delay timings and $C_L = 0 \text{ pF}$ for minimum delay timings. 4. The read data strobe is $\overline{\text{HRD}}/\overline{\text{HRD}}$ in the dual data strobe mode and $\overline{\text{HDS}}/\overline{\text{HDS}}$ in the single data strobe mode. 5. For 64-bit transfers, The "last data register" is the register at address 0x7, which is the last location to be read or written in data transfers. This is $\text{RX0}/\text{TX0}$ in the little endian mode ($\text{HBE} = 0$), or $\text{RX3}/\text{TX3}$ in the big endian mode ($\text{HBE} = 1$). 6. This timing is applicable only if a read from the "last data register" is followed by a read from the RXL, RXM, or RXH registers without first polling RXDF or HREQ bits, or waiting for the assertion of the $\overline{\text{HREQ}}/\overline{\text{HREQ}}$ signal. 7. This timing is applicable only if two consecutive reads from one of these registers are executed. 8. The write data strobe is $\overline{\text{HWR}}$ in the dual data strobe mode and $\overline{\text{HDS}}$ in the single data strobe mode. 9. The data strobe is host read ($\overline{\text{HRD}}/\overline{\text{HRD}}$) or host write ($\overline{\text{HWR}}/\overline{\text{HWR}}$) in the dual data strobe mode and host data strobe ($\overline{\text{HDS}}/\overline{\text{HDS}}$) in the single data strobe mode. 10. The host request is $\overline{\text{HREQ}}/\overline{\text{HREQ}}$ in the single host request mode and $\overline{\text{HRRQ}}/\overline{\text{HRRQ}}$ and $\overline{\text{HTRQ}}/\overline{\text{HTRQ}}$ in the double host request mode. $\overline{\text{HRRQ}}/\overline{\text{HRRQ}}$ is deasserted only when HOTX fifo is empty, $\overline{\text{HTRQ}}/\overline{\text{HTRQ}}$ is deasserted only if HORX fifo is full (treat as level Host Request). 11. Compute the value using the expression. 12. For mask set 1M88B, the read and write data strobe minimum deassertion width for non-"last data register" accesses in single and dual data strobe modes is based on timings 57 and 58. 					

Figure 10 and Figure 11 show HDI16 read signal timing. Figure 12 and Figure 13 show HDI16 write signal timing.

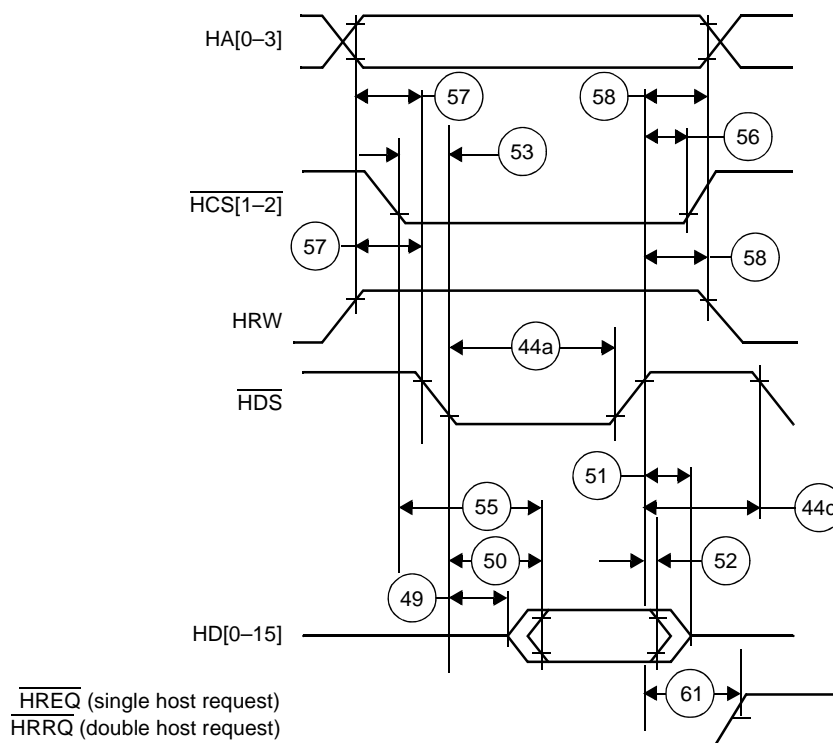


Figure 10. Read Timing Diagram, Single Data Strobe

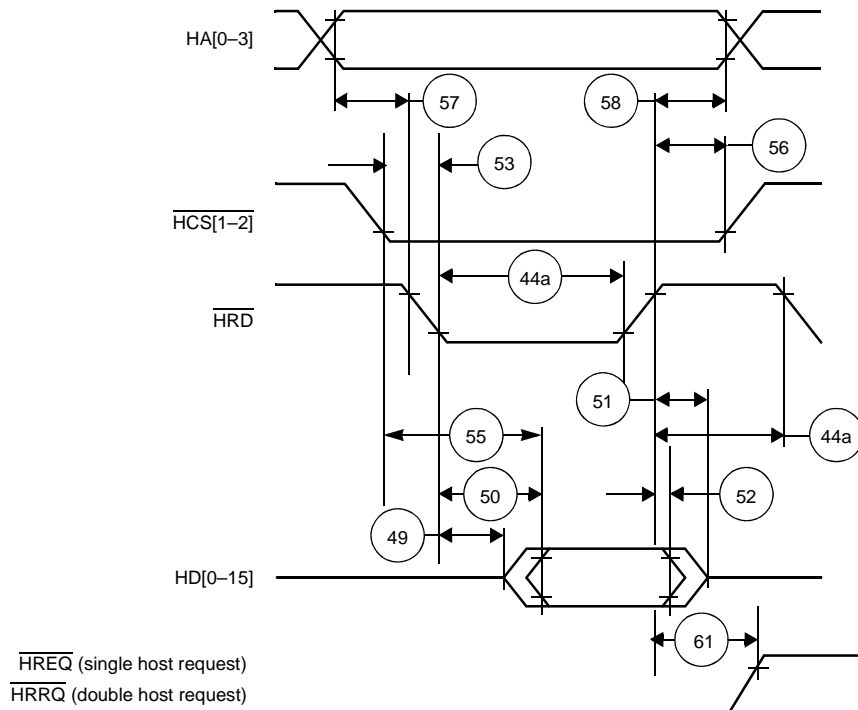


Figure 11. Read Timing Diagram, Double Data Strobe

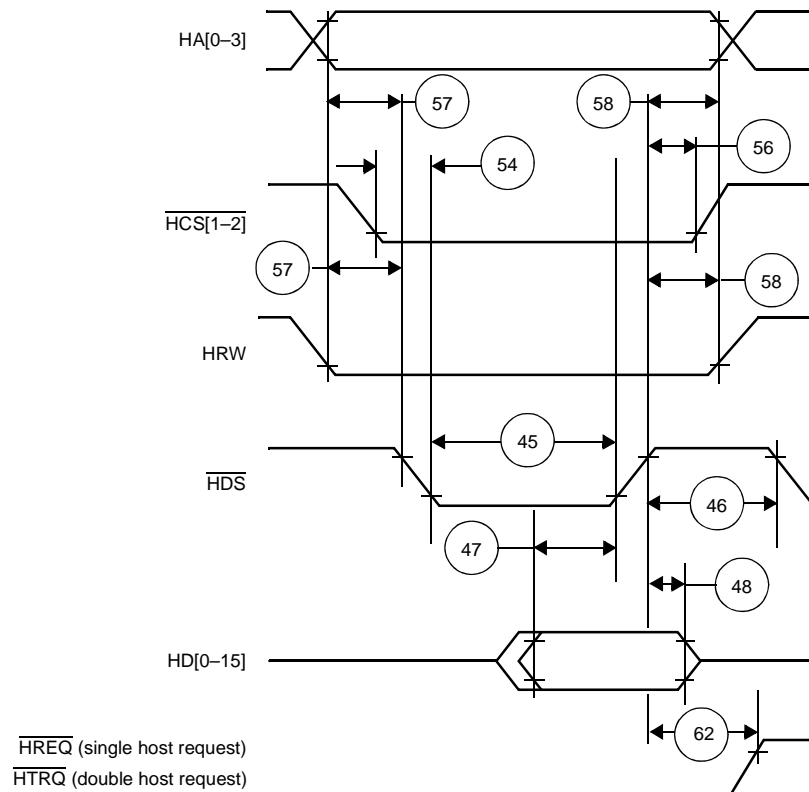


Figure 12. Write Timing Diagram, Single Data Strobe

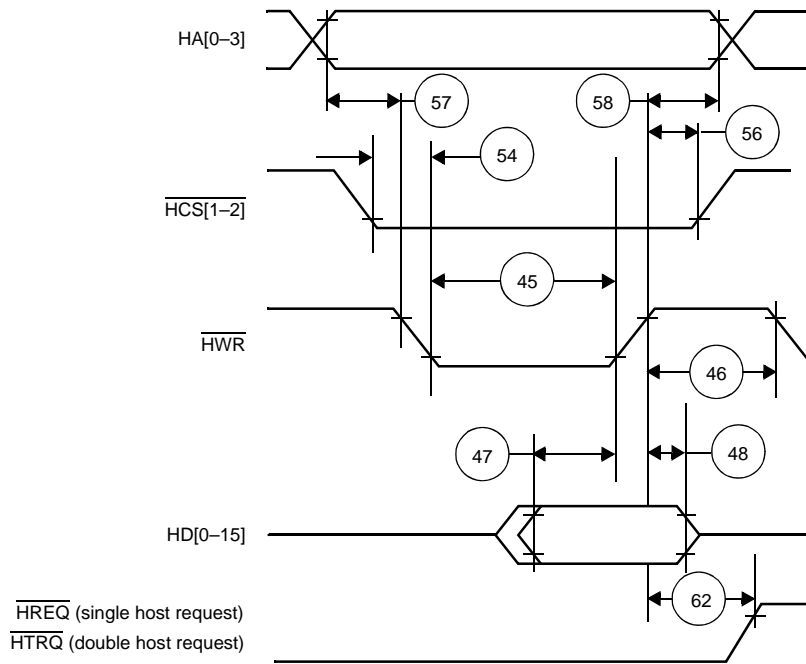


Figure 13. Write Timing Diagram, Double Data Strobe

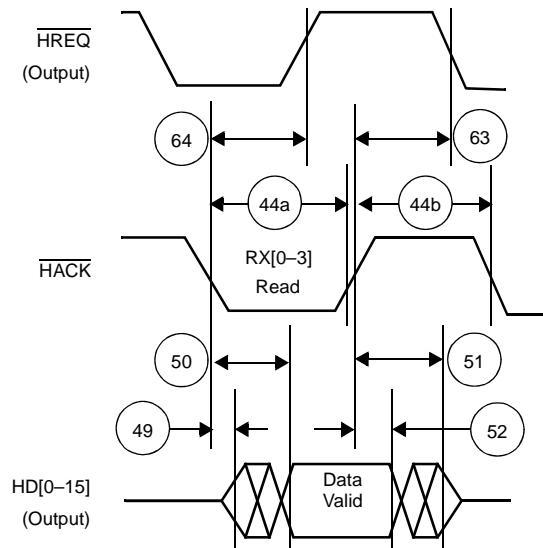


Figure 14. Host DMA Read Timing Diagram, HPCR[OAD] = 0

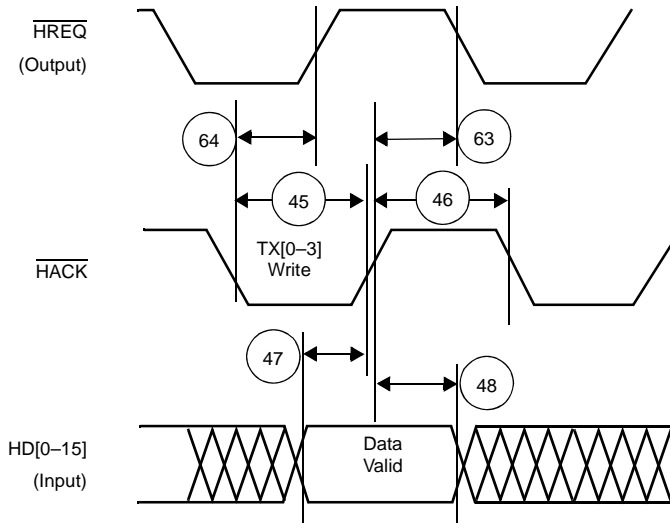


Figure 15. Host DMA Write Timing Diagram, HPCR[OAD] = 0

Because of an order from the United States International Trade Commission, BGA-packaged product lines and part numbers indicated here currently are not available from Freescale for import or sale in the United States prior to September 2010: MSC711XADS

2.5.7 I²C Timing

Table 23. I²C Timing

No.	Characteristic	Fast		Unit
		Min	Max	
450	SCL clock frequency	0	400	kHz
451	Hold time START condition	$(\text{Clock period}/2) - 0.3$	—	μs
452	SCL low period	$(\text{Clock period}/2) - 0.3$	—	μs
453	SCL high period	$(\text{Clock period}/2) - 0.1$	—	μs
454	Repeated START set-up time (not shown in figure)	$2 \times 1/F_{\text{BCK}}$	—	μs
455	Data hold time	0	—	μs
456	Data set-up time	250	—	ns
457	SDA and SCL rise time	—	700	ns
458	SDA and SCL fall time	—	300	ns
459	Set-up time for STOP	$(\text{Clock period}/2) - 0.7$	—	μs
460	Bus free time between STOP and START	$(\text{Clock period}/2) - 0.3$	—	μs

Note: SDA set-up time is referenced to the rising edge of SCL. SDA hold time is referenced to the falling edge of SCL. Load capacitance on SDA and SCL is 400 pF.

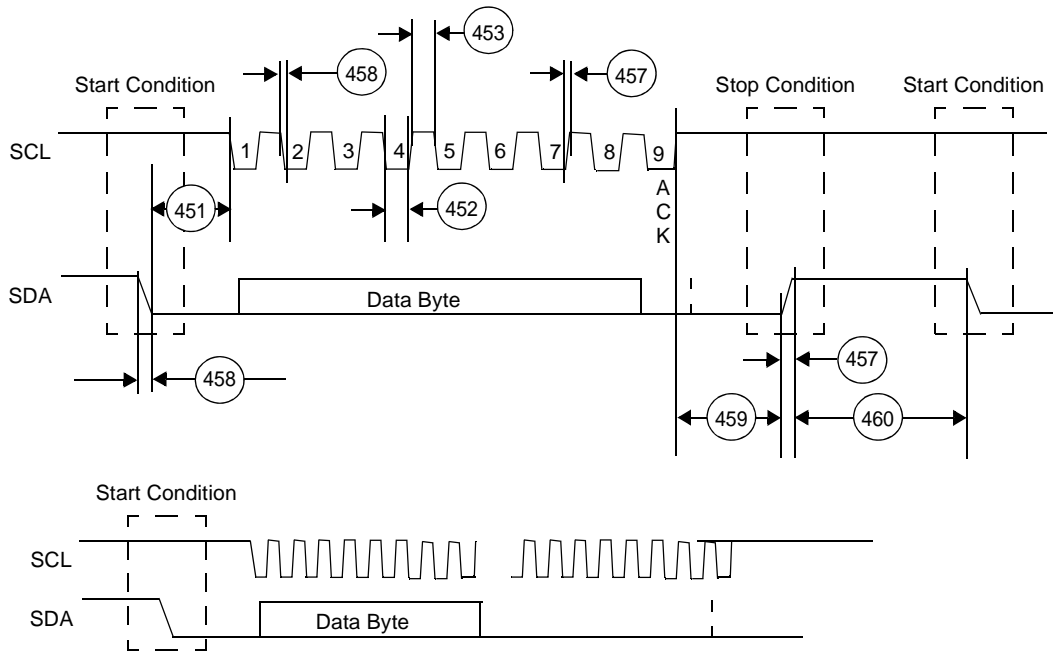


Figure 16. I²C Timing Diagram

2.5.8 UART Timing

Table 24. UART Timing

No.	Characteristics	Expression	Mask Set 1L44X		Mask Set 1M88B		Unit
			Min	Max	Min	Max	
—	Internal bus clock (APBCLK)	$F_{CORE}/2$	—	100	—	133	MHz
—	Internal bus clock period (1/APBCLK)	T_{APBCLK}	10.0	—	7.52	—	ns
400	URXD and UTXD inputs high/low duration	$16 \times T_{APBCLK}$	160.0	—	120.3	—	ns
401	URXD and UTXD inputs rise/fall time		—	5	—	5	ns
402	UTXD output rise/fall time		—	5	—	5	ns

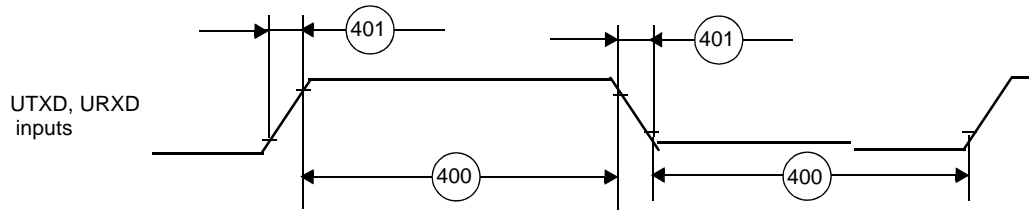


Figure 17. UART Input Timing

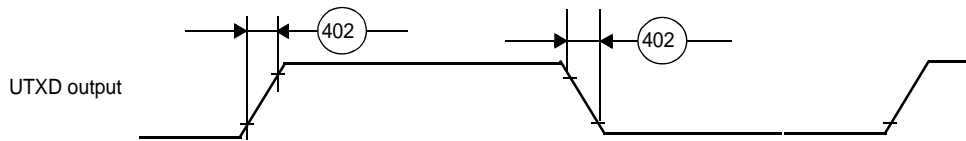


Figure 18. UART Output Timing

2.5.9 EE Timing

Table 25. EE0 Timing

Number	Characteristics	Type	Min
65	EE0 input to the core	Asynchronous	4 core clock periods
66	EE0 output from the core	Synchronous to core clock	1 core clock period

Notes:

1. The core clock is the SC1400 core clock. The ratio between the core clock and CLKOUT is configured during power-on-reset.
2. Configure the direction of the EE pin in the EE_CTRL register (see the *SC1400 Core Reference Manual* for details).
3. Refer to **Table 15** for details on EE pin functionality.

Figure 19 shows the signal behavior of the EE pin.

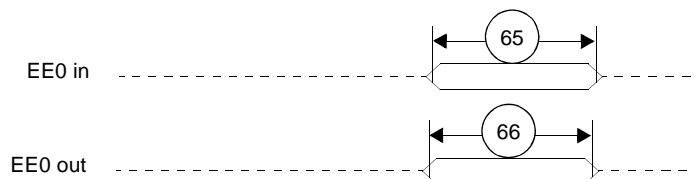


Figure 19. EE Pin Timing

2.5.10 Event Timing

Table 26. EVNT Signal Timing

Number	Characteristics	Type	Min
67	EVNT as input	Asynchronous	1.5 × APBCLK periods
68	EVNT as output	Synchronous to core clock	1 APBCLK period

Notes:

1. Refer to **Table 24** for a definition of the APBCLK period.
2. Direction of the EVNT signal is configured through the GPIO and Event port registers.
3. Refer to the *MSC711x Reference Manual* for details on EVNT pin functionality.

Figure 20 shows the signal behavior of the EVNT pin.

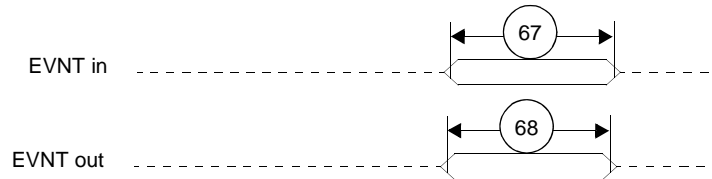


Figure 20. EVNT Pin Timing

2.5.11 GPIO Timing

Table 27. GPIO Signal Timing^{1,2,3}

Number	Characteristics	Type	Min
601	GPI ^{4,5}	Asynchronous	1.5 × APBCLK periods
602	GPO ⁵	Synchronous to core clock	1 APBCLK period
603	Port A edge-sensitive interrupt	Asynchronous	1.5 × APBCLK periods
604	Port A level-sensitive interrupt	Asynchronous	3 × APBCLK periods ⁶

Notes:

1. Refer to **Table 24** for a definition of the APBCLK period.
2. Direction of the GPIO signal is configured through the GPIO port registers.
3. Refer to *MSC711x Reference Manual* for details on GPIO pin functionality.
4. GPI data is synchronized to the APBCLK internally and the minimum listed is the capability of the hardware to capture data into a register when the GPA_DR is read. The specification is not tested due to the asynchronous nature of the input and dependence on the state of the DSP core. It is guaranteed by design.
5. The input and output signals cannot toggle faster than 50 MHz.
6. Level-sensitive interrupts should be held low until the system determines (via the service routine) that the interrupt is acknowledged.

Figure 21 shows the signal behavior of the GPI/GPO pin.

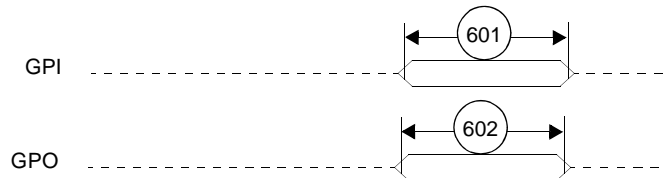


Figure 21. GPI/GPO Pin Timing

2.5.12 JTAG Signals

Table 28. JTAG Timing

No.	Characteristics	All frequencies		Unit
		Min	Max	
700	TCK frequency of operation ($1/(T_C \times 3)$; maximum 22 MHz)	0.0	40.0	MHz
701	TCK cycle time	25.0	—	ns
702	TCK clock pulse width measured at $V_M = 1.6$ V	11.0	—	ns
703	TCK rise and fall times	0.0	3.0	ns
704	Boundary scan input data set-up time	5.0	—	ns
705	Boundary scan input data hold time	14.0	—	ns
706	TCK low to output data valid	0.0	20.0	ns
707	TCK low to output high impedance	0.0	20.0	ns
708	TMS, TDI data set-up time	5.0	—	ns
709	TMS, TDI data hold time	25.0	—	ns
710	TCK low to TDO data valid	0.0	24.0	ns
711	TCK low to TDO high impedance	0.0	10.0	ns
712	$\overline{\text{TRST}}$ assert time	100.0	—	ns

Note: All timings apply to OCE module data transfers as the OCE module uses the JTAG port as an interface.

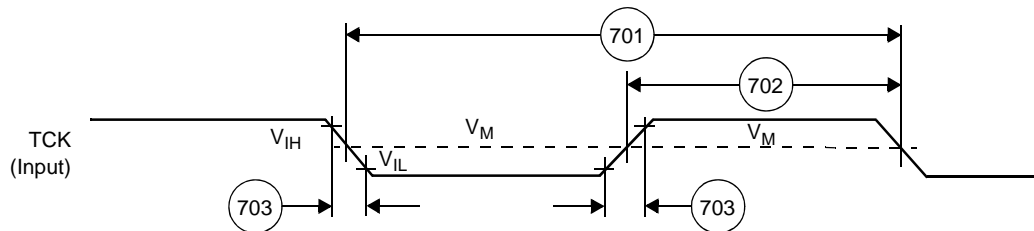


Figure 22. Test Clock Input Timing Diagram

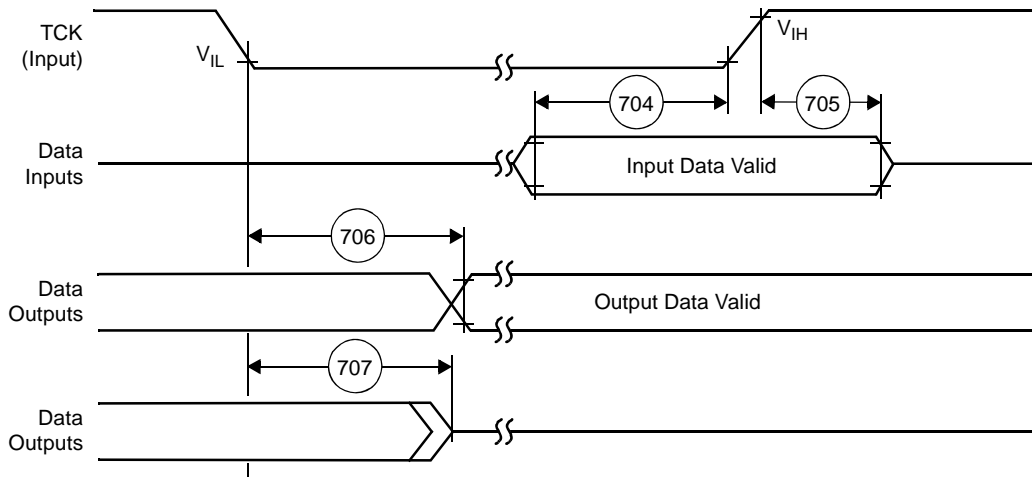


Figure 23. Boundary Scan (JTAG) Timing Diagram

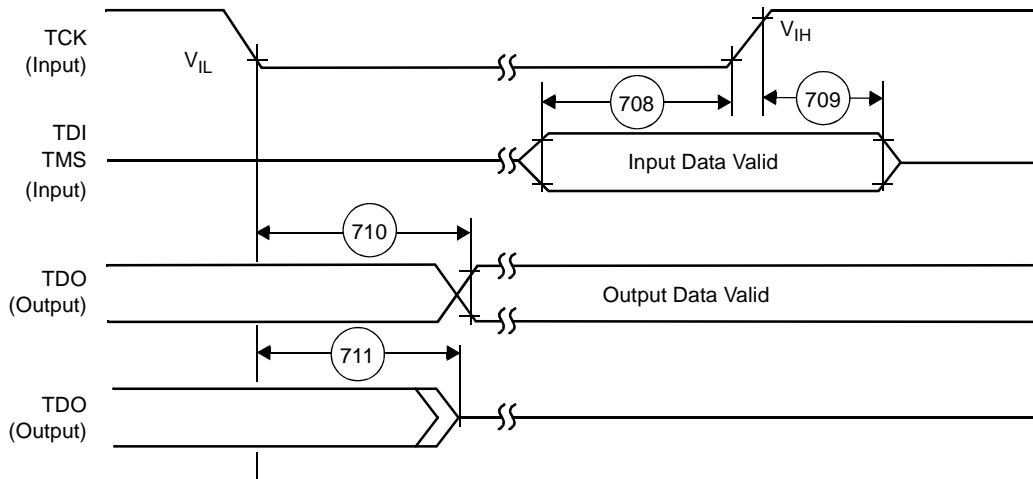


Figure 24. Test Access Port Timing Diagram



Figure 25. $\overline{\text{TRST}}$ Timing Diagram

3 Hardware Design Considerations

This section described various areas to consider when incorporating the MSC7110 device into a system design.

3.1 Thermal Design Considerations

An estimation of the chip-junction temperature, T_J , in °C can be obtained from the following:

$$T_J = T_A + (R_{\theta JA} \times P_D) \quad \text{Eqn. 1}$$

where

T_A = ambient temperature near the package (°C)

$R_{\theta JA}$ = junction-to-ambient thermal resistance (°C/W)

$P_D = P_{INT} + P_{I/O}$ = power dissipation in the package (W)

$P_{INT} = I_{DD} \times V_{DD}$ = internal power dissipation (W)

$P_{I/O}$ = power dissipated from device on output pins (W)

The power dissipation values for the MSC7110 are listed in **Table 4**. The ambient temperature for the device is the air temperature in the immediate vicinity that would cool the device. The junction-to-ambient thermal resistances are JEDEC standard values that provide a quick and easy estimation of thermal performance. There are two values in common usage: the value determined on a single layer board and the value obtained on a board with two planes. The value that more closely approximates a specific application depends on the power dissipated by other components on the printed circuit board (PCB). The value obtained using a single layer board is appropriate for tightly packed PCB configurations. The value obtained using a board with internal planes is more appropriate for boards with low power dissipation (less than 0.02 W/cm² with natural convection) and well separated components. Based on an estimation of junction temperature using this technique, determine whether a more detailed thermal analysis is required. Standard thermal management techniques can be used to maintain the device thermal junction temperature below its maximum. If T_J appears to be too high, either lower the ambient temperature or the power dissipation of the chip.

You can verify the junction temperature by measuring the case temperature using a small diameter thermocouple (40 gauge is recommended) or an infrared temperature sensor on a spot on the device case. Use the following equation to determine T_J :

$$T_J = T_T + (\Psi_{JT} \times P_D) \quad \text{Eqn. 2}$$

where

T_T = thermocouple (or infrared) temperature on top of the package (°C)

Ψ_{JT} = thermal characterization parameter (°C/W)

P_D = power dissipation in the package (W)

3.2 Power Supply Design Considerations

This section outlines the MSC7110 power considerations: power supply, power sequencing, power planes, decoupling, power supply filtering, and power consumption. It also presents a recommended power supply design and options for low-power consumption. For information on AC/DC electrical specifications and thermal characteristics, refer to **Section 2**.

3.2.1 Power Supply

The MSC7110 requires four input voltages, as shown in **Table 29**.

Table 29. MSC7110 Voltages

Voltage	Symbol	Value
Core	V_{DDC}	1.2 V
Memory	V_{DDM}	2.5 V
Reference	V_{REF}	1.25 V
I/O	V_{DDIO}	3.3 V

You should supply the MSC7110 core voltage via a variable switching supply or regulator to allow for compatibility with possible core voltage changes on future silicon revisions. The core voltage is supplied with 1.2 V (+5% and –10%) across V_{DDC} and GND and the I/O section is supplied with 3.3 V ($\pm 10\%$) across V_{DDIO} and GND. The memory and reference voltages supply the DDR memory controller block. The memory voltage is supplied with 2.5 V across V_{DDM} and GND. The reference voltage is supplied across V_{REF} and GND and must be between $0.49 \times V_{DDM}$ and $0.51 \times V_{DDM}$. Refer to the JEDEC standard JESD8 (*Stub Series Terminated Logic for 2.5 Volts (STTL_2)*) for memory voltage supply requirements.

3.2.2 Power Sequencing

One consequence of multiple power supplies is that the voltage rails ramp up at different rates when power is initially applied. The rates depend on the power supply, the type of load on each power supply, and the way different voltages are derived. It is extremely important to observe the power up and power down sequences at the board level to avoid latch-up, forward biasing of ESD devices, and excessive currents, which all lead to severe device damage.

Note: There are five possible power-up/power-down sequence cases. The first four cases listed in the following sections are recommended for new designs. The fifth case is not recommended for new designs and must be carefully evaluated for current spike risks based on actual information for the specific application.

3.2.2.1 Case 1

The power-up sequence is as follows:

1. Turn on the V_{DDIO} (3.3 V) supply first.
2. Turn on the V_{DDC} (1.2 V) supply second.
3. Turn on the V_{DDM} (2.5 V) supply third.
4. Turn on the V_{REF} (1.25 V) supply fourth (last).

The power-down sequence is as follows:

1. Turn off the V_{REF} (1.25 V) supply first.
2. Turn off the V_{DDM} (2.5 V) supply second.
3. Turn off the V_{DDC} (1.2 V) supply third.
4. Turn of the V_{DDIO} (3.3 V) supply fourth (last).

Use the following guidelines:

- Make sure that the time interval between the ramp-down of V_{DDIO} and V_{DDC} is less than 10 ms.
- Make sure that the time interval between the ramp-up or ramp-down for V_{DDC} and V_{DDM} is less than 10 ms for power-up and power-down.
- Refer to **Figure 26** for relative timing for power sequencing case 1.

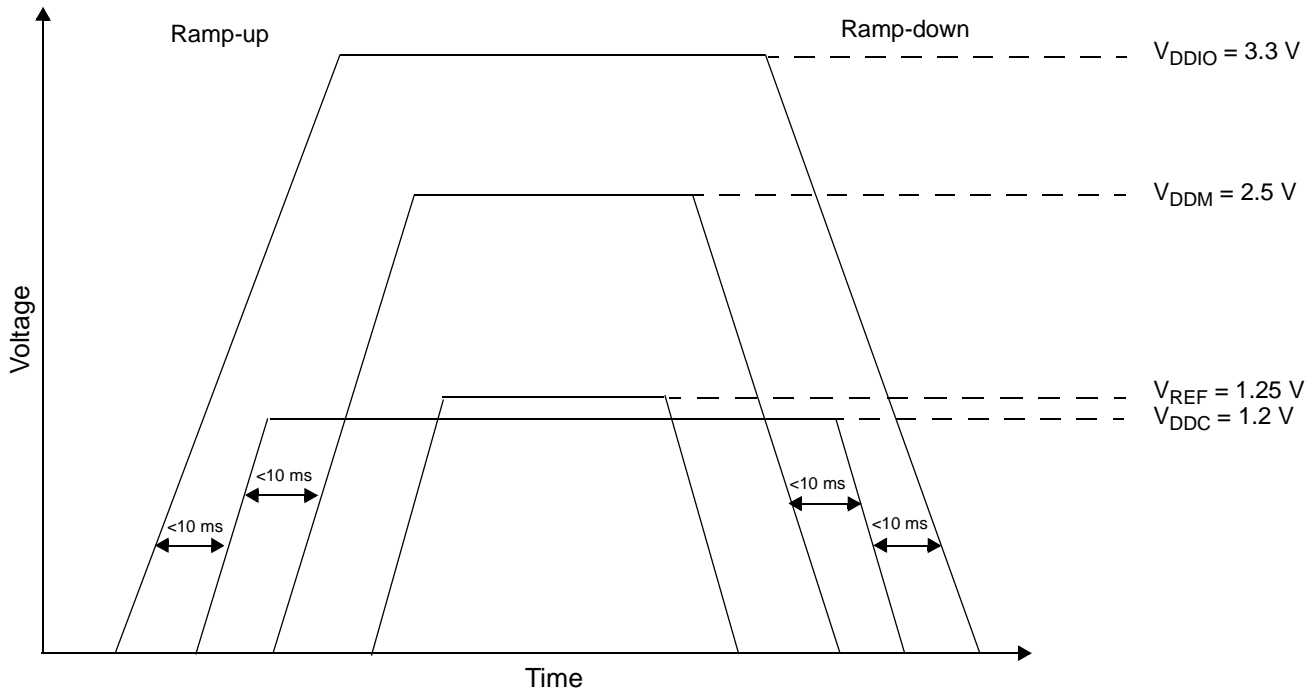


Figure 26. Voltage Sequencing Case 1

3.2.2.2 Case 2

The power-up sequence is as follows:

1. Turn on the V_{DDIO} (3.3 V) supply first.
2. Turn on the V_{DDC} (1.2 V) and V_{DDM} (2.5 V) supplies simultaneously (second).
3. Turn on the V_{REF} (1.25 V) supply last (third).

Note: Make sure that the time interval between the ramp-up of V_{DDIO} and V_{DDC}/V_{DDM} is less than 10 ms.

The power-down sequence is as follows:

1. Turn off the V_{REF} (1.25 V) supply first.
2. Turn off the V_{DDM} (2.5 V) supply second.
3. Turn off the V_{DDC} (1.2 V) supply third.
4. Turn off the V_{DDIO} (3.3 V) supply fourth (last).

Use the following guidelines:

- Make sure that the time interval between the ramp-down for V_{DDIO} and V_{DDC} is less than 10 ms.
- Make sure that the time interval between the ramp-up or ramp-down for V_{DDC} and V_{DDM} is less than 10 ms for power-up and power-down.
- Refer to **Figure 27** for relative timing for Case 2.

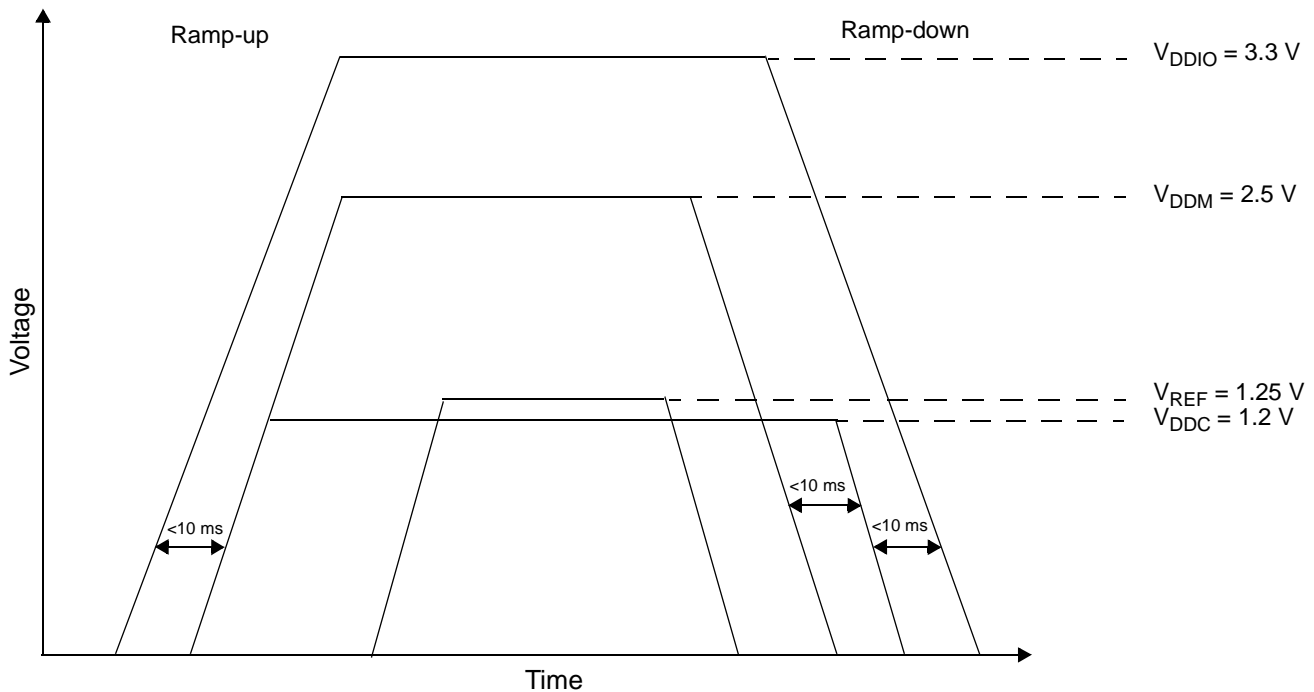


Figure 27. Voltage Sequencing Case 2

3.2.2.3 Case 3

The power-up sequence is as follows:

1. Turn on the V_{DDIO} (3.3 V) supply first.
2. Turn on the V_{DDC} (1.2 V) supply second.
3. Turn on the V_{DDM} (2.5 V) and V_{REF} (1.25 V) supplies simultaneously (third).

Note: Make sure that the time interval between the ramp-up of V_{DDIO} and V_{DDC} is less than 10 ms.

The power-down sequence is as follows:

1. Turn off the V_{DDM} (2.5 V) and V_{REF} (1.25 V) supplies simultaneously (first).
2. Turn off the V_{DDC} (1.2 V) supply second.
3. Turn off the V_{DDIO} (3.3 V) supply third (last).

Use the following guidelines:

- Make sure that the time interval between the ramp-down for V_{DDIO} and V_{DDC} is less than 10 ms.
- Make sure that the time interval between the ramp-up or ramp-down time for V_{DDC} and V_{DDM} is less than 10 ms for power-up and power-down.
- Refer to **Figure 28** for relative timing for Case 3.

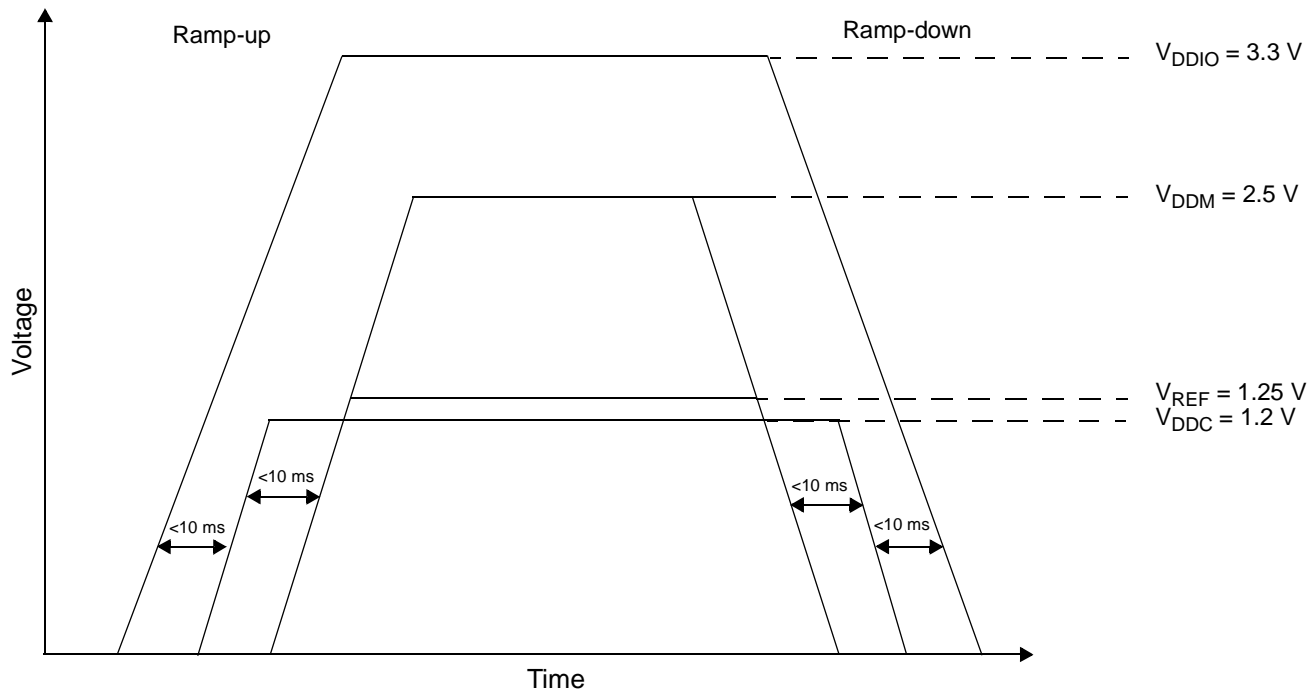


Figure 28. Voltage Sequencing Case 3

3.2.2.4 Case 4

The power-up sequence is as follows:

1. Turn on the V_{DDIO} (3.3 V) supply first.
2. Turn on the V_{DDC} (1.2 V), V_{DDM} (2.5 V), and V_{REF} (1.25 V) supplies simultaneously (second).

Note: Make sure that the time interval between the ramp-up of V_{DDIO} and V_{DDC} is less than 10 ms.

The power-down sequence is as follows:

1. Turn off the V_{DDC} (1.2 V), V_{REF} (1.25 V), and V_{DDM} (2.5 V) supplies simultaneously (first).
2. Turn off the V_{DDIO} (3.3 V) supply last.

Use the following guidelines:

- Make sure that the time interval between the ramp-up or ramp-down time for V_{DDC} and V_{DDM} is less than 10 ms for power-up and power-down.
- Refer to **Figure 29** for relative timing for Case 4.

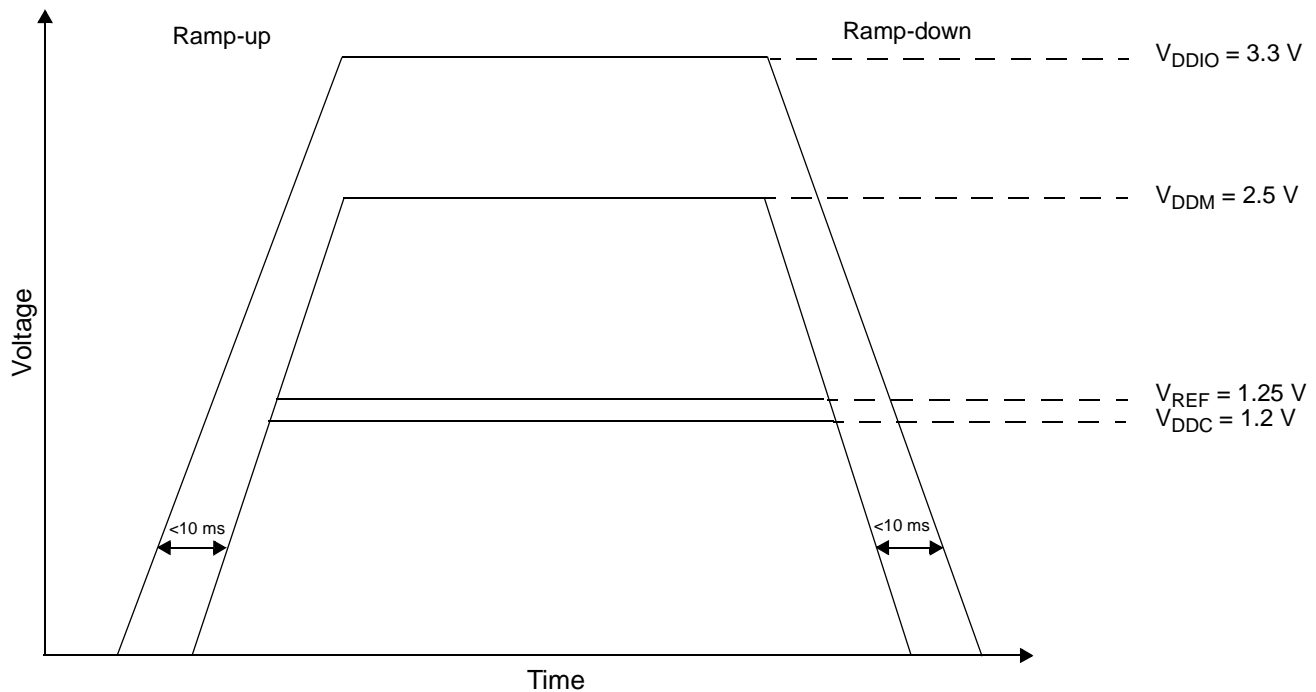


Figure 29. Voltage Sequencing Case 4

3.2.2.5 Case 5 (not recommended for new designs)

The power-up sequence is as follows:

1. Turn on the V_{DDIO} (3.3 V) supply first.
2. Turn on the V_{DDM} (2.5 V) supply second.
3. Turn on the V_{DDC} (1.2 V) supply third.
4. Turn on the V_{REF} (1.25 V) supply fourth (last).

Note: Make sure that the time interval between the ramp-up of V_{DDIO} and V_{DDM} is less than 10 ms.

The power-down sequence is as follows:

1. Turn off the V_{REF} (1.25 V) supply first.
2. Turn off the V_{DDC} (1.2 V) supply second.
3. Turn off the V_{DDM} (2.5 V) supply third.
4. Turn off the V_{DDIO} (3.3 V) supply fourth (last).

Use the following guidelines:

- Make sure that the time interval between the ramp-down of V_{DDIO} and V_{DDM} is less than 10 ms.
- Make sure that the time interval between the ramp-up or ramp-down for V_{DDC} and V_{DDM} is less than 2 ms for power-up and power-down.
- Refer to **Figure 30** for relative timing for power sequencing case 5.

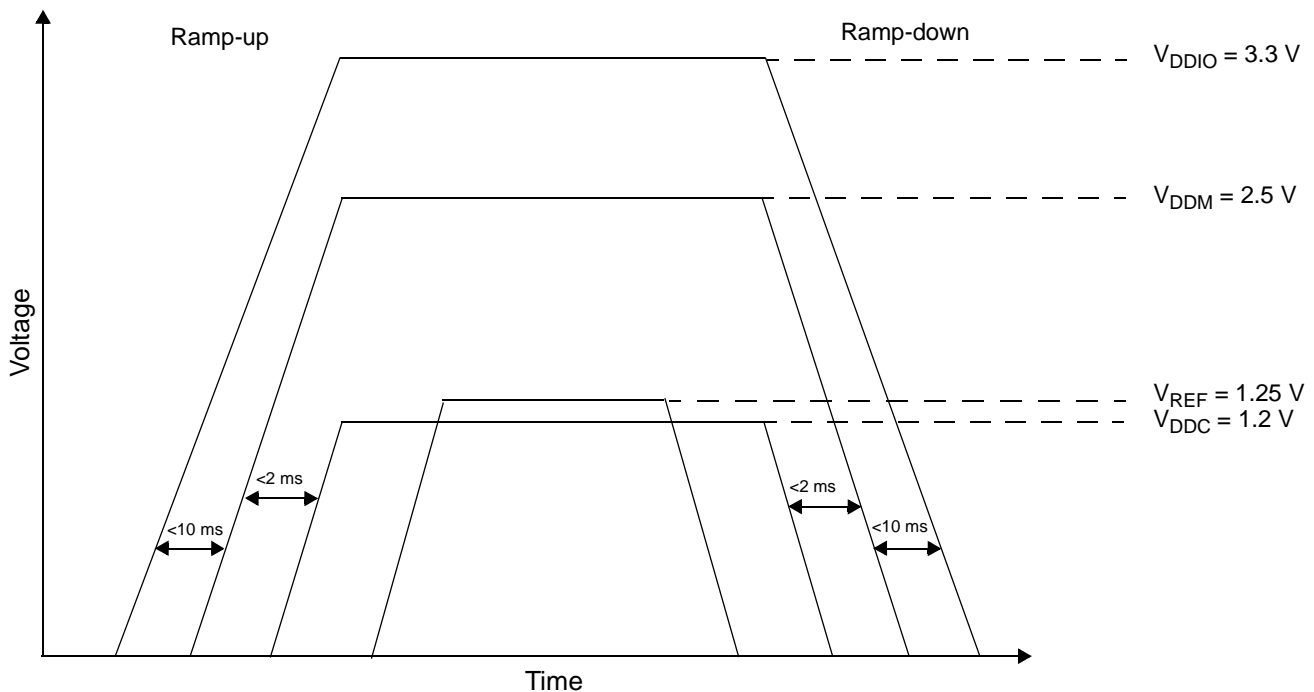


Figure 30. Voltage Sequencing Case 5

Note: Cases 1, 2, 3, and 4 are recommended for system design. Designs that use Case 5 may have large current spikes on the V_{DDM} supply at startup and is not recommended for most designs. If a design uses case 5, it must accommodate the potential current spikes. Verify risks related to current spikes using actual information for the specific application.

3.2.3 Power Planes

Each power supply pin (V_{DDC} , V_{DDM} , and V_{DDIO}) should have a low-impedance path to the board power supply. Each GND pin should be provided with a low-impedance path to ground. The power supply pins drive distinct groups of logic on the device. The MSC7110 V_{DDC} power supply pins should be bypassed to ground using decoupling capacitors. The capacitor leads and associated printed circuit traces connecting to device power pins and GND should be kept to less than half an inch per capacitor lead. A minimum four-layer board that employs two inner layers as power and GND planes is recommended. See **Section 3.5** for DDR Controller power guidelines.

3.2.4 Decoupling

Both the I/O voltage and core voltage should be decoupled for switching noise. For I/O decoupling, use standard capacitor values of $0.01\ \mu\text{F}$ for every two to three voltage pins. For core voltage decoupling, use two levels of decoupling. The first level should consist of a $0.01\ \mu\text{F}$ high frequency capacitor with low effective series resistance (ESR) and effective series inductance (ESL) for every two to three voltage pins. The second decoupling level should consist of two bulk/tantalum decoupling capacitors, one $10\ \mu\text{F}$ and one $47\ \mu\text{F}$, (with low ESR and ESL) mounted as closely as possible to the MSC7110 voltage pins. Additionally, the maximum drop between the power supply and the DSP device should be $15\ \text{mV}$ at $1\ \text{A}$.

3.2.5 PLL Power Supply Filtering

The MSC7110 V_{DDPLL} power signal provides power to the clock generation PLL. To ensure stability of the internal clock, the power supplied to this pin should be filtered with capacitors that have low and high frequency filtering characteristics. V_{DDPLL} can be connected to V_{DDC} through a $2\ \Omega$ resistor. V_{SSPLL} can be tied directly to the GND plane. A circuit similar to the one shown in **Figure 31** is recommended. The PLL loop filter should be placed as closely as possible to the V_{DDPLL} pin (which are located on the outside edge of the silicon package) to minimize noise coupled from nearby circuits. The $0.01\ \mu\text{F}$ capacitor should be closest to V_{DDPLL} , followed by the $0.1\ \mu\text{F}$ capacitor, the $10\ \mu\text{F}$ capacitor, and finally the $2\text{-}\Omega$ resistor to V_{DDC} . These traces should be kept short.

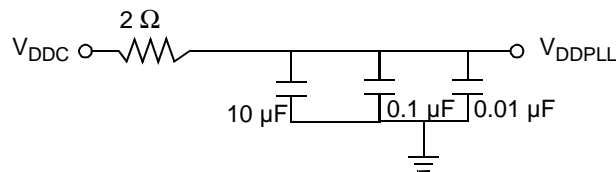


Figure 31. PLL Power Supply Filter Circuits

3.2.6 Power Consumption

You can reduce power consumption in your design by controlling the power consumption of the following regions of the device:

- *Extended core.* Use the SC1400 Stop and Wait modes by issuing a **stop** or **wait** instruction.
- *Clock synthesis module.* Disable the PLL, timer, watchdog, or DDR clocks or disable the CLK0 pin.
- *AHB subsystem.* Freeze or shut down the AHB subsystem using the GPSCTL[XBR_HRQ] bit.
- *Peripheral subsystem.* Halt the individual on-device peripherals such as the DDR memory controller, HDI16, TDM, UART, I²C, and timer modules.

For details, see the “Clocks and Power Management” chapter of the *MSC711x Reference Manual*.

3.2.7 Power Supply Design

One of the most common ways to derive power is to use either a simple fixed or adjustable linear regulator. For the system I/O voltage supply, a simple fixed 3.3 V supply can be used. However, a separate adjustable linear regulator supply for the core voltage V_{DDC} should be implemented. For the memory power supply, regulators are available that take care of all DDR power requirements.

Table 30. Recommended Power Supply Ratings

Supply	Symbol	Nominal Voltage	Current Rating
Core	V_{DDC}	1.2 V	1.5 A per device
Memory	V_{DDM}	2.5 V	0.5 A per device
Reference	V_{REF}	1.25 V	10 μ A per device
I/O	V_{DDIO}	3.3 V	1.0 A per device

3.3 Estimated Power Usage Calculations

The following equations permit estimated power usage to be calculated for individual design conditions. Overall power is derived by totaling the power used by each of the major subsystems:

$$P_{TOTAL} = P_{CORE} + P_{PERIPHERALS} + P_{DDRIO} + P_{IO} + P_{LEAKAGE} \quad \text{Eqn. 3}$$

This equation combines dynamic and static power. Dynamic power is determined using the generic equation:

$$C \times V^2 \times F \times 10^{-3} \text{ mW} \quad \text{Eqn. 4}$$

where,

C = load capacitance in pF

V = peak-to-peak voltage swing in V

F = frequency in MHz

3.3.1 Core Power

Estimation of core power is straightforward. It uses the generic dynamic power equation and assumes that the core load capacitance is 750 pF, core voltage swing is 1.2 V, and the core frequency is 200 MHz or 266 MHz. This yields:

$$P_{CORE} = 750 \text{ pF} \times (1.2 \text{ V})^2 \times 200 \text{ MHz} \times 10^{-3} = 216 \text{ mW} \quad \text{Eqn. 5}$$

$$P_{CORE} = 750 \text{ pF} \times (1.2 \text{ V})^2 \times 266 \text{ MHz} \times 10^{-3} = 287 \text{ mW} \quad \text{Eqn. 6}$$

This equation allows for adjustments to voltage and frequency if necessary.

3.3.2 Peripheral Power

Peripherals include the DDR memory controller, DMA controller, HDI16, TDM, UART, timers, GPIOs, and the I²C module. Basic power consumption by each module is assumed to be the same and is computed by using the following equation which assumes an effective load of 20 pF, core voltage swing of 1.2 V, and a switching frequency of 100 MHz or 133 MHz. This yields:

$$P_{PERIPHERAL} = 20 \text{ pF} \times (1.2 \text{ V})^2 \times 100 \text{ MHz} \times 10^{-3} = 2.88 \text{ mW per peripheral} \quad \text{Eqn. 7}$$

$$P_{PERIPHERAL} = 20 \text{ pF} \times (1.2 \text{ V})^2 \times 133 \text{ MHz} \times 10^{-3} = 3.83 \text{ mW per peripheral} \quad \text{Eqn. 8}$$

Multiply this value by the number of peripherals used in the application to compute the total peripheral power consumption.

3.3.3 External Memory Power

Estimation of power consumption by the DDR memory system is complex. It varies based on overall system signal line usage, termination and load levels, and switching rates. Because the DDR memory includes terminations external to the MSC7110 device, the 2.5 V power source provides the power for the termination, which is a static value of 16 mA per signal driven high. The dynamic power is computed, however, using a differential voltage swing of ± 0.200 V, yielding a peak-to-peak swing of 0.4 V. The equations for computing the DDR power are:

$$P_{DDRIO} = P_{STATIC} + P_{DYNAMIC} \quad \text{Eqn. 9}$$

$$P_{STATIC} = (\text{unused pins} \times \% \text{ driven high}) \times 16 \text{ mA} \times 2.5 \text{ V} \quad \text{Eqn. 10}$$

$$P_{DYNAMIC} = (\text{pin activity value}) \times 20 \text{ pF} \times (0.4 \text{ V})^2 \times 200 \text{ MHz} \times 10^{-3} \text{ mW} \quad \text{Eqn. 11}$$

$$P_{DYNAMIC} = (\text{pin activity value}) \times 20 \text{ pF} \times (0.4 \text{ V})^2 \times 266 \text{ MHz} \times 10^{-3} \text{ mW} \quad \text{Eqn. 12}$$

$$\text{pin activity value} = (\text{active data lines} \times \% \text{ activity} \times \% \text{ data switching}) + (\text{active address lines} \times \% \text{ activity}) \quad \text{Eqn. 13}$$

As an example, assume the following:

- unused pins = 16 (DDR uses 16-pin mode)
- % driven high = 50%
- active data lines = 16
- % activity = 60%
- % data switching = 50%
- active address lines = 3

In this example, the DDR memory power consumption is:

$$P_{DDRIO} = ((16 \times 0.5) \times 16 \times 2.5) + (((16 \times 0.6 \times 0.5) + (3 \times 0.6)) \times 20 \times (0.4)^2 \times 200 \times 10^{-3}) = 324.2 \text{ mW} \quad \text{Eqn. 14}$$

$$P_{DDRIO} = ((16 \times 0.5) \times 16 \times 2.5) + (((16 \times 0.6 \times 0.5) + (3 \times 0.6)) \times 20 \times (0.4)^2 \times 266 \times 10^{-3}) = 326.3 \text{ mW} \quad \text{Eqn. 15}$$

3.3.4 External I/O Power

The estimation of the I/O power is similar to the computation of the peripheral power estimates. The power consumption per signal line is computed assuming a maximum load of 20 pF, a voltage swing of 3.3 V, and a switching frequency of 25 MHz or 33 MHz, which yields:

$$P_{IO} = 20 \text{ pF} \times (3.3 \text{ V})^2 \times 25 \text{ MHz} \times 10^{-3} = 5.44 \text{ mW per I/O line} \quad \text{Eqn. 16}$$

$$P_{IO} = 20 \text{ pF} \times (3.3 \text{ V})^2 \times 33 \text{ MHz} \times 10^{-3} = 7.19 \text{ mW per I/O line} \quad \text{Eqn. 17}$$

Multiply this number by the number of I/O signal lines used in the application design to compute the total I/O power.

Note: The signal loading depends on the board routing. For systems using a single DDR device, the load could be as low as 7 pF.

3.3.5 Leakage Power

The leakage power is for all power supplies combined at a specific temperature. The value is temperature dependent. The observed leakage value at room temperature is 64 mW.

3.3.6 Example Total Power Consumption

Using the examples in this section and assuming four peripherals and 10 I/O lines active, a total power consumption value is estimated as the following:

$$P_{TOTAL} (200 \text{ MHz core}) = 216 + (4 \times 2.88) + 324.2 + (10 \times 5.44) + 64 = 670.12 \text{ mW} \quad \text{Eqn. 18}$$

$$P_{TOTAL} (266 \text{ MHz core}) = 287 + (4 \times 3.83) + 326.3 + (10 \times 7.19) + 64 = 764.52 \text{ mW} \quad \text{Eqn. 19}$$

3.4 Reset and Boot

This section describes the recommendations for configuring the MSC7110 at reset and boot.

3.4.1 Reset Circuit

$\overline{\text{HRESET}}$ is a bidirectional signal and, if driven as an input, should be driven with an open collector or open-drain device. For an open-drain output such as $\overline{\text{HRESET}}$, take care when driving many buffers that implement input bus-hold circuitry. The bus-hold currents can cause enough voltage drop across the pull-up resistor to change the logic level to low. Either a smaller value of pull-up or less current loading from the bus-hold drivers overcomes this issue. To avoid exceeding the MSC7110 output current, the pull-up value should not be too small (a 1 K Ω pull-up resistor is used in the MSC711xADS reference design).

3.4.2 Reset Configuration Pins

Table 31 shows the MSC7110 reset configuration signals. These signals are sampled at the deassertion (rising edge) of $\overline{\text{PORESET}}$. For details, refer to the Reset chapter of the *MSC711x Reference Manual*.

Table 31. Reset Configuration Signals

Signal	Description	Settings
BM[1–0]	Determines boot mode.	0 Boot from HDI16 port. 01 Boot from I2C. 1x Reserved.
SWTE	Determines watchdog functionality.	0 Watchdog timer disabled. 1 Watchdog timer enabled.
HDSP	Configures HDI16 strobe polarity.	0 Host Data strobes active low. 1 Host Data strobes active high.
H8BIT	Configures HDI16 operation mode.	0 HDI16 port configured for 16-bit operation. 1 HDI16 port configured for 8-bit operation.

3.4.3 Boot

After a power-on reset, the PLL is bypassed and the device is directly clocked from the CLKIN pin. Using this input clock, the system initializes using the boot loader program that resides in the internal ROM. After initialization, the DSP core can enable the PLL and start the device operating at a higher speed. The MSC7110 can boot from an external host through the HDI16 or download a user program through the I²C port. The boot operating mode is set by configuring the BM[1–0] signals sampled at the rising edge of $\overline{\text{PORESET}}$, as shown in **Table 32**.

Table 32. Boot Mode Settings

BM1	BM0	Boot Source
0	0	External host via HDI16 with the PLL disabled.
0	1	I ² C.
1	0	External host via the HDI16 with the PLL enabled.
1	1	Reserved.

3.4.3.1 HDI16 Boot

If the MSC7110 device boots from an external host through the HDI16, the port is configured as follows:

- Operate in Non-DMA mode.
- Operate in polled mode on the device side.
- Operate in polled mode on the external host side.
- External host must write four 16-bit values at a time with the first word as the most significant and the fourth word as the least significant.

When booting from a power-on reset, the HDI16 is additionally configurable as follows:

- 8- or 16-bit mode as specified by the H8BIT pin.
- Data strobe as specified by the HDSP and HDDS pins.

These pins are sampled only on the deassertion of power-on reset. During a boot from a hard reset, the configuration of these pins is unaffected.

Note: When the HDI16 is used for booting or other purposes, bit 0 is the least significant bit and not the most significant bit as for other DSP products.

3.4.3.2 I²C Boot

When the MSC7110 device is configured to boot from the I²C port, the boot program configures the GPIO pins shared with the I²C pins as I²C pins. The I²C interface is configured as follows:

- I²C in master mode.
- EPROM in slave mode.

For details on the boot procedure, see the “Boot Program” chapter of the *MSC711x Reference Manual*.

3.5 DDR Memory System Guidelines

MSC7110 devices contain a memory controller that provides a glueless interface to external double data rate (DDR) SDRAM memory modules with Class 2 Series Stub Termination Logic 2.5 V (SSTL_2). There are two termination techniques, as shown in Figure 32. Technique B is the most popular termination technique.

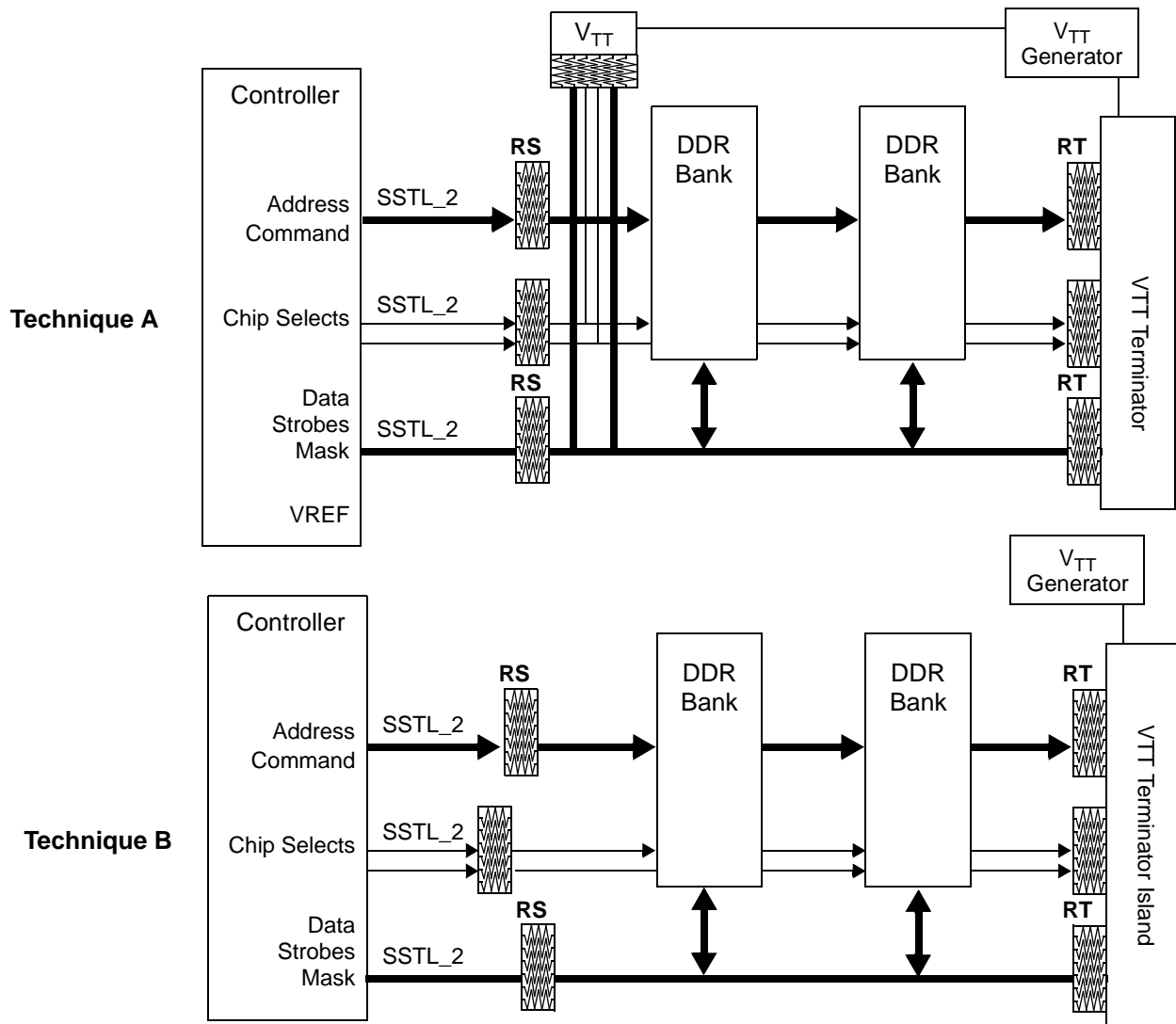


Figure 32. SSTL Termination Techniques

Figure 33 illustrates the power wattage for the resistors. Typical values for the resistors are as follows:

- RS = 22 Ω
- RT = 24 Ω

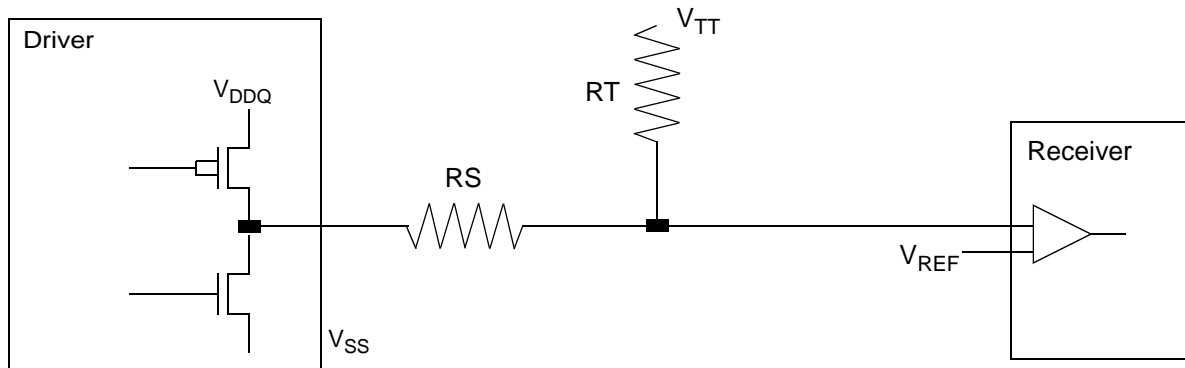


Figure 33. SSTL Power Value

3.5.1 V_{REF} and V_{TT} Design Constraints

V_{TT} and V_{REF} are isolated power supplies at the same voltage, with V_{TT} as a high current power source. This section outlines the voltage supply design needs and goals:

- Minimize the noise on both rails.
- V_{TT} must track variation in the V_{REF} DC offsets. Although they are isolated supplies, one possible solution is to use a single IC to generate both signals.
- Both references should have minimal drift over temperature and source supply.
- It is important to minimize the noise from coupling onto V_{REF} as follows:
 - Isolate V_{REF} and shield it with a ground trace.
 - Use 15–20 mm track.
 - Use 20–30 mm clearance between other traces for isolating.
 - Use the outer layer route when possible.
 - Use distributed decoupling to localize transient currents and return path and decouple with an inductance less than 3 nH.
- Max source/sink transient currents of up to 1.8 A for a 32-bit data bus.
- Use a wide island trace on the outer layer:
 - Place the island at the end of the bus.
 - Decouple both ends of the bus.
 - Use distributed decoupling across the island.
 - Place SSTL termination resistors inside the V_{TT} island and ensure a good, solid connection.
- Place the V_{TT} regulator as closely as possible to the termination island.
 - Reduce inductance and return path.
 - Tie current sense pin at the midpoint of the island.

3.5.2 Decoupling

The DDR decoupling considerations are as follows:

- DDR memory requires significantly more burst current than previous SDRAMs.
- In the worst case, up to 64 drivers may be switching states.
- Pay special attention and decouple discrete ICs per manufacturer guidelines.
- Leverage V_{TT} island topology to minimize the number of capacitors required to supply the burst current needs of the termination rail.
- See the Micron DesignLine publication entitled *Decoupling Capacitor Calculation for a DDR Memory Channel* (<http://download.micron.com/pdf/pubs/designline/3Q00d11-4.pdf>).

3.5.3 General Routing

The general routing considerations for the DDR are as follows:

- All DDR signals must be routed next to a solid reference:
 - For data, next to solid ground planes.
 - For address/command, power planes if necessary.
- All DDR signals must be impedance controlled. This is system dependent, but typical values are 50–60 ohm.
- Minimize other cross-talk opportunities. As possible, maintain at least a four times the trace width spacing between all DDR signals to non-DDR signals.
- Keep the number of vias to a minimum to eliminate additional stubs and capacitance.
- Signal group routing priorities are as follows:
 - DDR clocks.
 - Route MVTT/MVREF.
 - Data group.
 - Command/address.
- Minimize data bit jitter by trace matching.

3.5.4 Routing Clock Distribution

The DDR clock distribution considerations are as follows:

- DDR controller supports six clock pairs:
 - 2 DIMM modules.
 - Up to 36 discrete chips.
- For route traces as for any other differential signals:
 - Maintain proper difference pair spacing.
 - Match pair traces within 25 mm.
- Match all clock traces to within 100 mm.
- Keep all clocks equally loaded in the system.
- Route clocks on inner critical layers.

3.5.5 Data Routing

The DDR data routing considerations are as follows:

- Route each data group (8-bits data + DQS + DM) on the same layer. Avoid switching layers within a byte group.
- Take care to match trace lengths, which is extremely important.
- To make trace matching easier, let adjacent groups be routed on alternate critical layers.
- Pin swap bits within a byte group to facilitate routing (discrete case).
- Tight trace matching is recommended within the DDR data group. Keep each 8-bit datum and its DM signal within ± 25 mm of its respective strobe.
- Minimize lengths across the entire DDR channel:
 - Between all groups maintain a delta of no more than 500 mm.
 - Allows greater flexibility in the design for readjustments as needed.
- DDR data group separation:
 - If stack-up allows, keep DDR data groups away from the address and control nets.
 - Route address and control on separate critical layers.
 - If resistor networks (RNs) are used, attempt to keep data and command lines in separate packages.

3.6 Connectivity Guidelines

This section summarizes the connections and special conditions, such as pull-up or pull-down resistors, for the MSC7110 device. Following are guidelines for signal groups and configuration settings:

- *Clock and reset signals.*
 - SWTE is used to configure the MSC7110 device and is sampled on the deassertion of $\overline{\text{PORESET}}$, so it should be tied to V_{DDC} or GND either directly or through pull-up or pull-down resistors until $\overline{\text{PORESET}}$ is deasserted. After $\overline{\text{PORESET}}$, this signal can be left floating.
 - BM[0–1] configure the MSC7110 device and are sampled until $\overline{\text{PORESET}}$ is deasserted, so they should be tied to V_{DDIO} or GND either directly or through pull-up or pull-down resistors.
 - $\overline{\text{HRESET}}$ should be pulled up.
- *Interrupt signals.* When used, $\overline{\text{IRQ}}$ pins must be pulled up.
- *HDI16 signals.*
 - When they are configured for open-drain, the $\overline{\text{HREQ/HREQ}}$ or $\overline{\text{HTRQ/HTRQ}}$ signals require a pull-up resistor. However, these pins are also sampled at power-on reset to determine the HDI16 boot mode and may need to be pulled down. When these pins must be pulled down on reset and pulled up otherwise, a buffer can be used with the $\overline{\text{HRESET}}$ signal as the enable.
 - When the device boots through the HDI16, the HDDS, HDSP and H8BIT pins should be pulled up or down, depending on the required boot mode settings.
- *I²C signals.* The SCL and SDA signals, when programmed for I²C, requires an external pull-up resistor.
- *General-purpose I/O (GPIO) signals.* An unused GPIO pin can be disconnected. After boot, program it as an output pin.
- *Other signals.*
 - The $\overline{\text{TEST0}}$ pin must be connected to ground.
 - The $\overline{\text{TPSEL}}$ pin should be pulled up to enable debug access via the EOnCE port and pulled down for boundary scan.
 - Pins labelled NO CONNECT (NC) must not be connected.
 - When a 16-pin double data rate (DDR) interface is used, the 16 unused data pins should be no connects (floating) if the used lines are terminated.
 - Do not connect DBREQ to DONE (as you would for the MSC8101 device). Connect DONE to one of the EVNT pins, and DBREQ to HRRQ.

4 Ordering Information

Consult a Freescale Semiconductor sales office or authorized distributor to determine product availability and place an order.

Part	Supply Voltage	Package Type	Pin Count	Core Frequency (MHz)	Solder Spheres	Order Number
MSC7110 (mask 1L44X)	1.2 V core 2.5 V mem. 3.3 V I/O	Molded Array Process-Ball Grid Array (MAP-BGA)	400	200	Lead-free	MSC7110VM800
					Lead-bearing	MSC7110VF800
MSC7110 (mask 1M88B)	1.2 V core 2.5 V mem. 3.3 V I/O	Molded Array Process-Ball Grid Array (MAP-BGA)	400	266	Lead-free	MSC7110VM1000
					Lead-bearing	MSC7110VF1000

5 Package Information

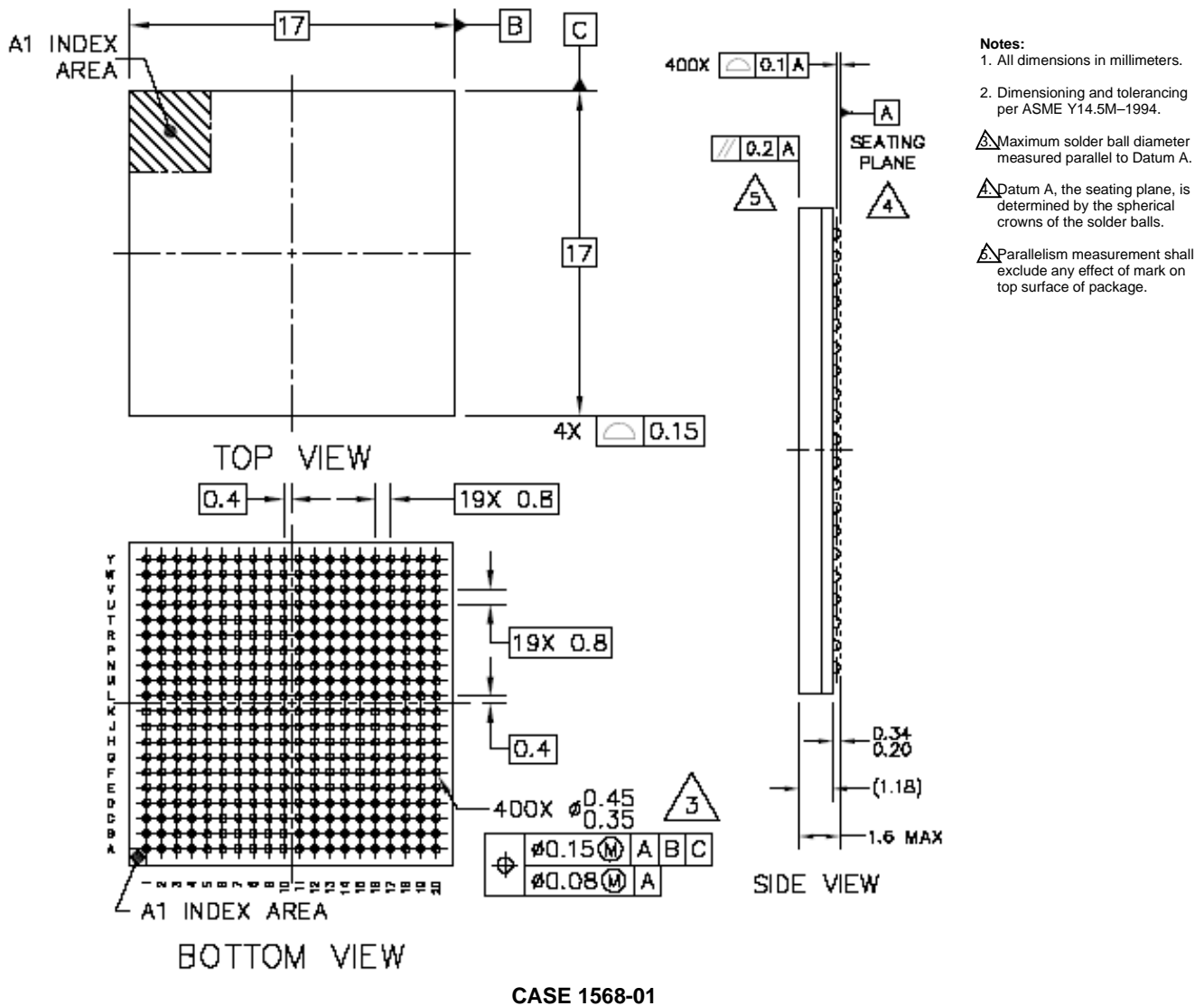


Figure 34. MSC7110 Mechanical Information, 400-pin MAP-BGA Package

6 Product Documentation

- *MSC711x Reference Manual* (MSC711xRM). Includes functional descriptions of the extended cores and all the internal subsystems including configuration and programming information.
- *Application Notes*. Cover various programming topics related to the StarCore DSP core and the MSC7110 device.
- *SC140/SC1400 DSP Core Reference Manual*. Covers the SC140 and SC1400 core architecture, control registers, clock registers, program control, and instruction set.

7 Revision History

Table 33 provides a revision history for this data sheet.

Table 33. Document Revision History

Revision	Date	Description
0	Apr 2004	<ul style="list-style-type: none"> Initial public release.
1	May 2004	<ul style="list-style-type: none"> Added ordering information and new package options.
2	Aug. 2004	<ul style="list-style-type: none"> Updated clock parameter values. Updated DDR timing specifications. Updated I²C timing specifications.
3	Sep. 2004	<ul style="list-style-type: none"> Updated Figures 1-2 and 1-2 to correct HDSP and DBREQ. Corrected EE0 port reference. Updated ball location for HDSP.
4	Jan. 2005	<ul style="list-style-type: none"> Added signal HA3. Updated absolute maximum ratings, DDR DRAM capacitance specifications, clock parameters, reset timing, and TDM timing. Added note for timing reference for I²C interface. Expanded GPIO timing information. Corrected pin T20 and K20 signal designation. Corrected signal names to GPAO15 and $\overline{TRQ2}$. Expanded design guidelines in Chapter 4.
5	Mar. 2005	<ul style="list-style-type: none"> Updated features list. Updated power specifications. Changed CLKIN frequency range. Added clock configuration information. Updated JTAG timings.
6	Apr. 2005	<ul style="list-style-type: none"> Added recommended power supply ratings and updated equations to estimate power consumption.
7	Oct. 2005	<ul style="list-style-type: none"> Updated core and total power consumption examples.
8	Dec. 2005	<ul style="list-style-type: none"> Added information about signals GPIOA16, GPIOA17, GPIOA27, GPIOA28, and GPIOA29 to signal description and pinout location lists.
9	Nov. 2006	<ul style="list-style-type: none"> Updated Reference Manual reference to MSC711x Reference Manual. Updated arrows in Host DMA Writing Timing figure. Updated boot overview.
10	Aug. 2007	<ul style="list-style-type: none"> Updated to new data sheet format. Reorganized and renumbered sections, figures, and tables. Added a note to clarify the definition of TCK timing 700 in new Table 31. The power-up and power-down sequences have been expanded to five possible design scenarios/cases. These cases replace the previously recommended power-up/power-down sequence recommendations. The section has been clarified by adding subsection headings.
11	Apr 2008	<ul style="list-style-type: none"> Change the PLL filter resistor from 20 Ω to 2 Ω in Section 3.2.5.

How to Reach Us:

Home Page:

www.freescale.com

Web Support:

<http://www.freescale.com/support>

USA/Europe or Locations Not Listed:

Freescale Semiconductor, Inc.
Technical Information Center, EL516
2100 East Elliot Road
Tempe, Arizona 85284
+1-800-521-6274 or
+1-480-768-2130
www.freescale.com/support

Europe, Middle East, and Africa:

Freescale Halbleiter Deutschland GmbH
Technical Information Center
Schatzbogen 7
81829 Muenchen, Germany
+44 1296 380 456 (English)
+46 8 52200080 (English)
+49 89 92103 559 (German)
+33 1 69 35 48 48 (French)
www.freescale.com/support

Japan:

Freescale Semiconductor Japan Ltd.
Headquarters
ARCO Tower 15F
1-8-1, Shimo-Meguro, Meguro-ku
Tokyo 153-0064
Japan
0120 191014 or
+81 3 5437 9125
support.japan@freescale.com

Asia/Pacific:

Freescale Semiconductor Hong Kong Ltd.
Technical Information Center
2 Dai King Street
Tai Po Industrial Estate
Tai Po, N.T., Hong Kong
+800 2666 8080
support.asia@freescale.com

For Literature Requests Only:

Freescale Semiconductor
Literature Distribution Center
P.O. Box 5405
Denver, Colorado 80217
+1-800 441-2447 or
+1-303-675-2140
Fax: +1-303-675-2150
LDCForFreescaleSemiconductor@hibbertgroup.com

Information in this document is provided solely to enable system and software implementers to use Freescale Semiconductor products. There are no express or implied copyright licenses granted hereunder to design or fabricate any integrated circuits or integrated circuits based on the information in this document.

Freescale Semiconductor reserves the right to make changes without further notice to any products herein. Freescale Semiconductor makes no warranty, representation or guarantee regarding the suitability of its products for any particular purpose, nor does Freescale Semiconductor assume any liability arising out of the application or use of any product or circuit, and specifically disclaims any and all liability, including without limitation consequential or incidental damages. "Typical" parameters that may be provided in Freescale Semiconductor data sheets and/or specifications can and do vary in different applications and actual performance may vary over time. All operating parameters, including "Typicals", must be validated for each customer application by customer's technical experts. Freescale Semiconductor does not convey any license under its patent rights nor the rights of others. Freescale Semiconductor products are not designed, intended, or authorized for use as components in systems intended for surgical implant into the body, or other applications intended to support or sustain life, or for any other application in which the failure of the Freescale Semiconductor product could create a situation where personal injury or death may occur. Should Buyer purchase or use Freescale Semiconductor products for any such unintended or unauthorized application, Buyer shall indemnify and hold Freescale Semiconductor and its officers, employees, subsidiaries, affiliates, and distributors harmless against all claims, costs, damages, and expenses, and reasonable attorney fees arising out of, directly or indirectly, any claim of personal injury or death associated with such unintended or unauthorized use, even if such claim alleges that Freescale Semiconductor was negligent regarding the design or manufacture of the part.

RoHS-compliant and/or Pb-free versions of Freescale products have the functionality and electrical characteristics as their non-RoHS-compliant and/or non-Pb-free counterparts. For further information, see <http://www.freescale.com> or contact your Freescale sales representative.

For information on Freescale's Environmental Products program, go to <http://www.freescale.com/epp>.

Freescale™, the Freescale logo, CodeWarrior, fieldBIST, and StarCore are trademarks of Freescale Semiconductor, Inc. All other product or service names are the property of their respective owners.

© Freescale Semiconductor, Inc. 2004, 2008. All rights reserved.

Document Number: MSC7110
Rev. 11
4/2008

