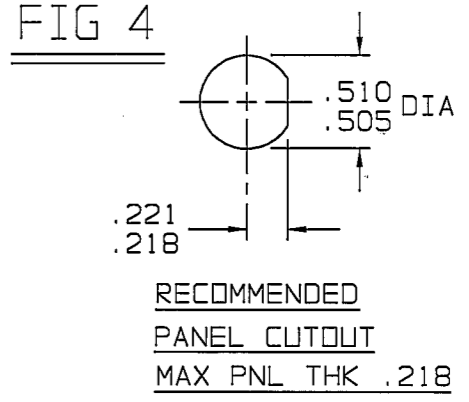
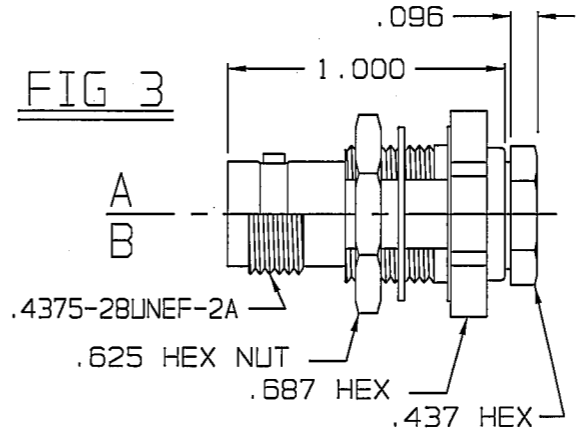
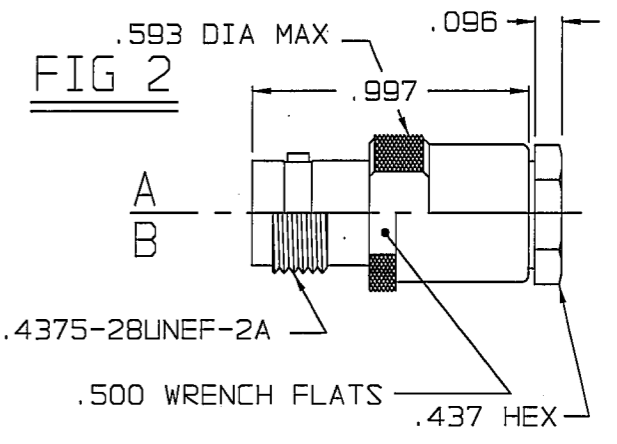
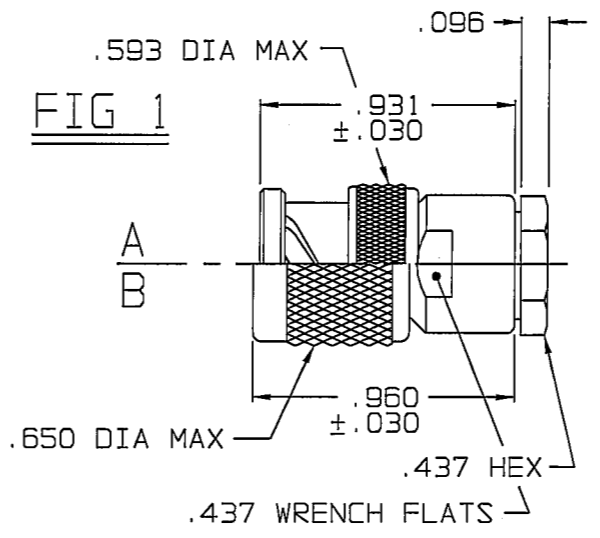


DATA CONTAINED IN THIS DOCUMENT IS PROPRIETARY TO TROMPETER ELECTRONICS, INC. AND SHALL NOT BE DISCLOSED, COPIED OR USED FOR PROCUREMENT OR MANUFACTURE WITHOUT EXPRESS WRITTEN PERMISSION OF TROMPETER ELECTRONICS, INC.

REVISIONS

105-0363	SH 1		
REV	DESCRIPTION	DATE	APPROVED
B	REVISED PER ECD 15844	4/28/05	BS

DASH NO	CONN TYPE	ASSEMBLE PER	FIG	MTG HOLE FIG
-1	PL20	TAI-101	1A	—
-2	CJ20		2A	—
-3	BJ29		3A	4
-4	PL40		1B	—
-5	CJ40		2B	—
-6	BJ49		3B	4



3. 50 & 75 OHM COAXIAL BNC & TNC CABLE PLUGS/RECEPTACLES/NON-INSULATED BULKHEAD MOUNT RECEPTACLES FOR ITT SURPRENANT CABLE # IAS-WTE-1929A JTE-A2606/14433B
2. FINISH: TFS-1A (NICKEL)
1. ALL DIM ARE IN INCHES

RED INDICATES ORIGINAL

INTERPRET DRAWING PER MIL-STD-883 DIMENSIONS ARE IN INCHES AND INCLUDE FINISH THICKNESS UNLESS OTHERWISE SPECIFIED		TOL: UNLESS SPECIFIED .XX .XXX ±.005 .XXXX ANGLES			TITLE: PL/CJ20/40/BJ29/49 -IAS-WTE-1929-JTE-A2606/14433B
DRAWN: AAH CHECKED: [Signature] DATE: 4-22-05 QUALITY: MS DATE: 4/25/05 MADE BY: [Signature] DATE: 4/25/05 APPROVED: [Signature] DATE: 4/27/05	MATERIAL: FINISH:	SIZE: B CAGE CODE: 14949 SCALE: 2/1	DRAWING NO.: 105-0363 DATE: 10-26-72 SHEET: 1C		
NEXT ASSY		CAD FILE NO. 105-0363F		DO NOT SCALE DWG	