

SPECIFICATIONS

| | |
|------------------------|----------------------------|
| Insulation Resistance: | 100MΩ at 500 V |
| Current Rating: | 0.5A |
| Voltage Rating: | 5V AC |
| Withstanding Voltage: | 100V AC (rms) for 1 minute |
| Contact Resistance: | 50mΩ max. |

PART NUMBER

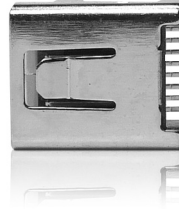
USB-M08-003A

MATERIALS AND FINISH

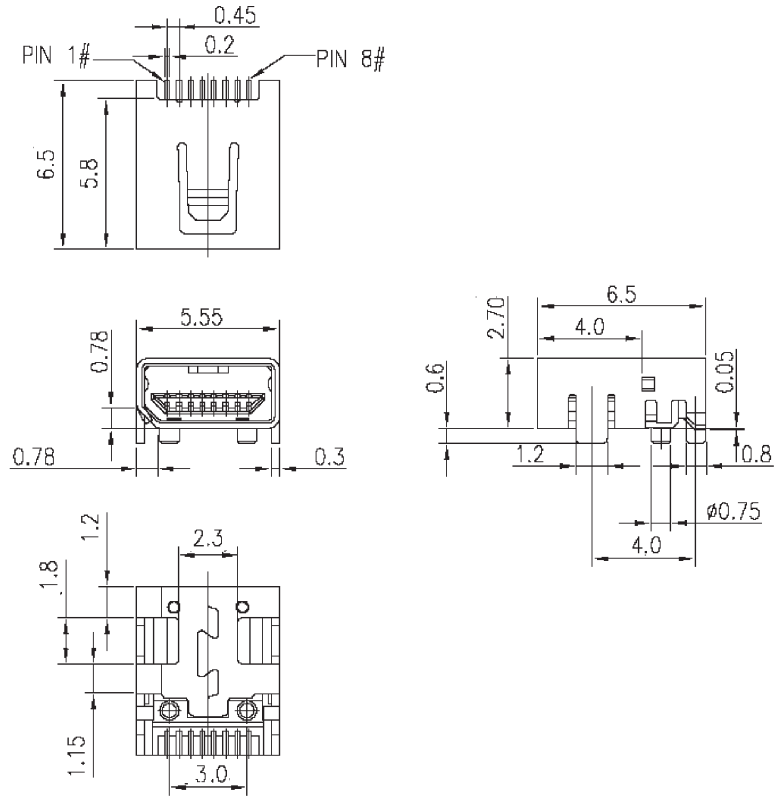
| | |
|-----------|--|
| Housing: | High Temp. Thermoplastic, glass filled (UL94V-0) |
| Shell: | Phosphor Bronze |
| Contacts: | Phosphor Bronze, 10μ" Au over Ni |

FEATURE

- RoHS2011/65/EU



OUTLINE DIMENSIONS



RECOMMENDED PCB LAYOUT

