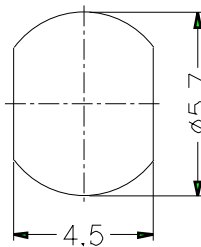


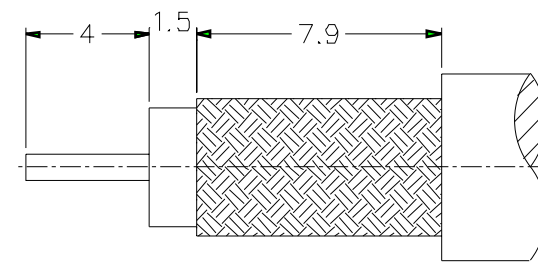
1 2 3 4 5 6 7 8

| REVISIONS | | |
|-----------|------|----------------------------------|
| ISS | ZONE | DESCRIPTION \ PER REQUEST \ DATE |
| | | |

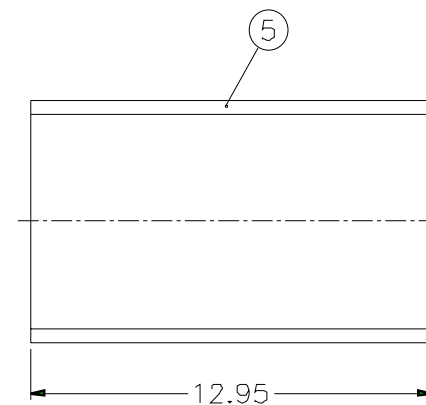
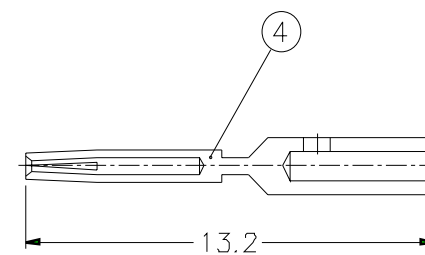
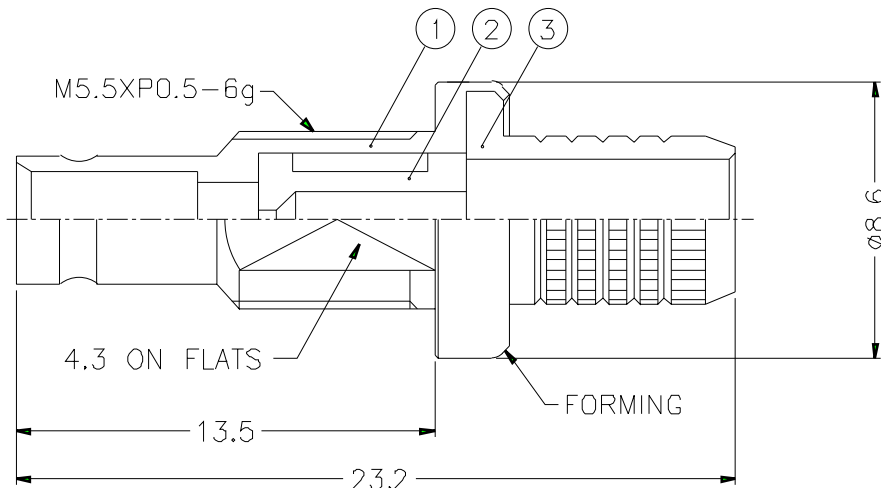
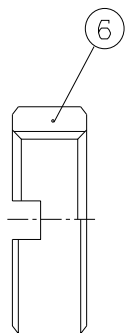
CABLES: - L910/12
 - L910/13
 - SIRTI 214



RECOMMENDED MOUNTING HOLE



RECOMMENDED CABLE STRIPPING DIM'S



- 1. CRIMPED FERRULE
HEX CRIMP SIZE .255"
- 2. CRIMPED CONTACT PIN
615717 (M22520/2-01) OR AFM8 ADJUST TO 6

| NO. | DESCRIPTION | MATERIAL | FINISH | Q'TY | DRAWING NO. |
|-----|-------------|----------|---------|------|-------------|
| 6 | NUT | BRASS | NICKEL | 1 | |
| 5 | FERRULE | BRASS | NICKEL | 1 | |
| 4 | CONTACT PIN | BEQU | GOLD | 1 | |
| 3 | BARREL | BRASS | NICKEL | 1 | |
| 2 | INSULATOR | PTFE | NATURAL | 1 | |
| 1 | BODY | BRASS | GOLD | 1 | |

| | | | | |
|---------------------------------------|---|------|--|--|
| DIMENSIONS ARE IN MILLIMETERS | | | | |
| UNLESS OTHERWISE SPECIFIED TOLERANCES | | | | |
| 0.5-6 | = | ±0.2 | | |
| 6-30 | = | ±0.4 | | |
| 30-120 | = | ±0.6 | | |
| 120-315 | = | ±1 | | |
| 315-1000 | = | ±1.6 | | |
| 1000-2000 | = | ±2.4 | | |

| | | |
|----------|----------------------------|-----------|
| PART NO. | 1236421A1-E21 | |
| APPROVED | DATE | 08-12-02' |
| CHECKED | DATE | 08-12-02' |
| DRAWN | DATE | 08-12-02' |
| FILE NO. | F:\ND\10\6421\ERD\A1\7F\MN | |

| | |
|--------------------|--------------------|
| Amphenol RF | |
| TITLE | 1.0/2.3 CRIMP JACK |
| DRAWING NO. | 106421ERDA1MN7F |
| ITEM NO. | 106421ERDA1MN7F |

1 2 3 4 5 6 7 8