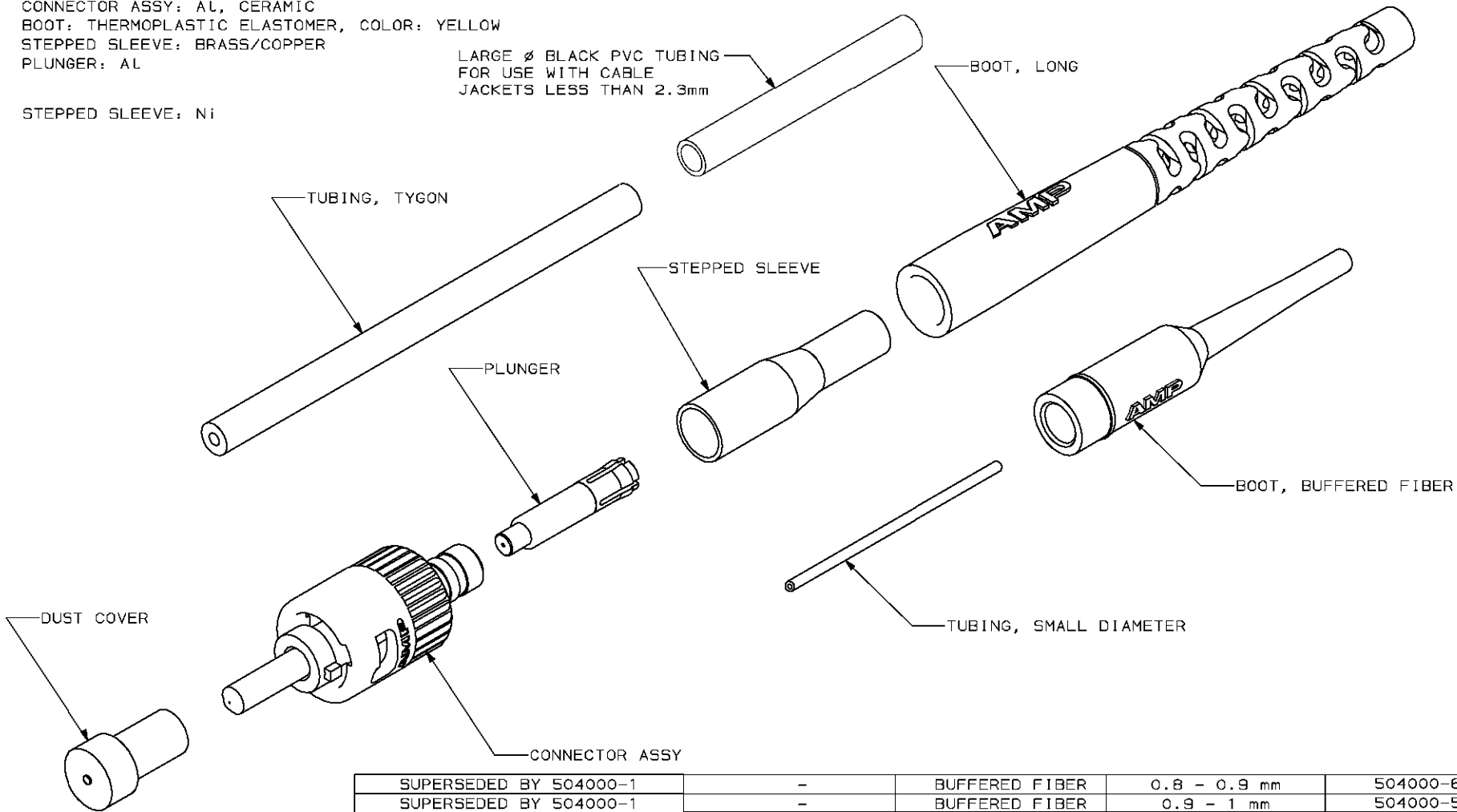


△ CONNECTOR ASSY: AL, CERAMIC
 BOOT: THERMOPLASTIC ELASTOMER, COLOR: YELLOW
 STEPPED SLEEVE: BRASS/COPPER
 PLUNGER: AL

△ STEPPED SLEEVE: Ni

LARGE Ø BLACK PVC TUBING
 FOR USE WITH CABLE
 JACKETS LESS THAN 2.3mm



SUPERSEDED BY 504000-1	-	BUFFERED FIBER	0.8 - 0.9 mm	504000-6
SUPERSEDED BY 504000-1	-	BUFFERED FIBER	0.9 - 1 mm	504000-5
OBSOLETE	STEPPED SLEEVE	LONG	500µm	504000-4
SUPERSEDED BY 504000-1	-	BUFFERED FIBER	250µm	504000-3
SUPERSEDED BY 504000-1	STEPPED SLEEVE	LONG	0.8 - 0.9 mm	504000-2
SUPERSEDED BY 504000-1	STEPPED SLEEVE	BUFFERED/LONG	250µm/ 0.8 - 1.0 mm	504000-1
	CRIMP SLEEVE	BOOT TYPE	BUFFER SIZE	PART NO

DO NOT SCALE PRINT. UNLESS SPECIFIED DIMENSIONS IN mm (INCHES) TOLERANCES ON: 2 PLC DEC ± - 3 PLC DEC ± - ANGLES ± -	DR 8-29-92 D ERDMAN CHK 8-29-92 B EDWARDS APPD 9-21-92 S GRINDERSLEV APPD 8-29-92 K MONROE	AMP AMP Incorporated Harrisburg, PA 17105-3608		
MATERIAL △	PRODUCT SPEC -	NAME KIT, CONNECTOR, 125µm 2.5mm BAYONET, XTC SINGLEMODE		
FINISH △	APPLICATION SPEC -	SIZE C	CAGE CODE 00779	DRAWING NO C-504000
	WEIGHT -	SCALE -	SHEET 1 OF 1	

THIS DRAWING IS A CONTROLLED DOCUMENT FOR AMP INCORPORATED. IT IS SUBJECT TO CHANGE AND THE CONTROLLING ENGINEERING ORGANIZATION SHOULD BE CONTACTED FOR THE LATEST REVISION.