

LUMEX *digi-lites*

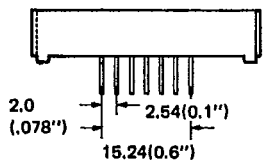
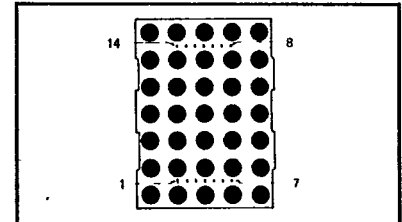
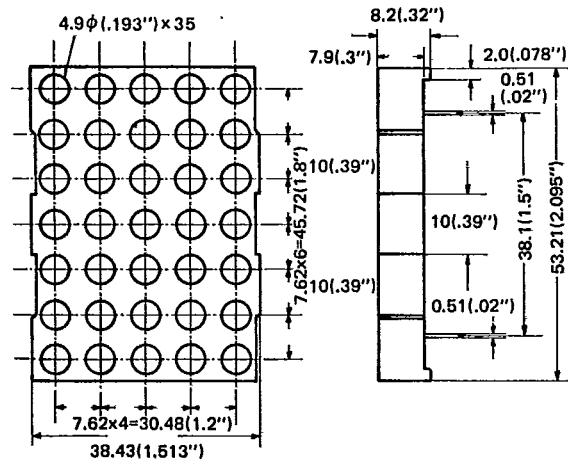
INC.

DOT MATRIX 5x7 DISPLAY SERIES

2"
LDM-2X57

Line Item	Lumex Part Number		Colors		Ta = 25°C Absolute Maximum Ratings					Ta = 25°C Electrical-Optical Characteristics					
					VR	IF	IFP	PD	TOPR	IF	VF typ.	VF max.	IV typ.	IR max.	IP
	Emitted	Font	Segment	V											
1	LDM-2257MI	LDM-2257NI	Green		5	20	50	1820	-25—+80°	10	2.2	2.6	2700	100	568
			Gray	White											
2	LDM-2357MI	LDM-2357NI	Yellow		5	20	50	1820	-25—+80°	10	2.1	2.6	2500	100	585
			Gray	White											
3	LDM-2457MI	LDM-2457NI	Orange/Red		5	20	50	1820	-25—+80°	10	2.1	2.6	2600	100	635
			Gray	White											
4	LDM-2657MI	LDM-2657NI	Super-Red		5	25	55	1750	-25—+80°	20	1.8	2.1	3600	100	660
			Gray	White											

PACKAGE DIMENSIONS & PIN FUNCTIONS



NOTE:
 1. ALL DIMENSIONS ARE IN MILLIMETERS AND INCHES TOLERANCE IS 0.25(0.01'') UNLESS OTHERWISE IS SPECIFIED.
 2. IV TESTED CONDITION IF=10mA AND THE LISTED IV IS THE AVERAGE INTENSITY FOR EVERY SEGMENT LISTED.

