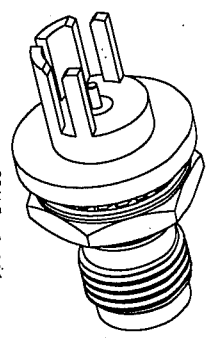
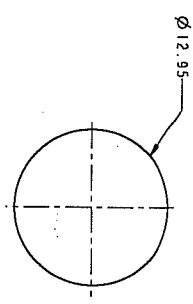


- NOTES:
1. MATERIALS AND FINISHES:
BODY - BRASS, NICKEL PLATED
CONTACT - BRASS, GOLD PLATING
INSULATOR - PTFE
 2. ELECTRICAL:
A. IMPEDANCE: 50 OHM
B. FREQUENCY RANGE: DC - 3 GHz
C. VSWR(RETURN LOSS): 1.29 (17.99 dB), MAX.
 3. MECHANICAL:
A. DURABILITY: 500 CYCLES MIN.
B. TEMPERATURE RANGE: -65° C TO +165° C
 4. PACKAGING:
A. QUANTITY: SINGLE PACK
B. MARKING: BAG TO BE MARKED
AMPHENOL, 31-6304, AND DATE CODE*

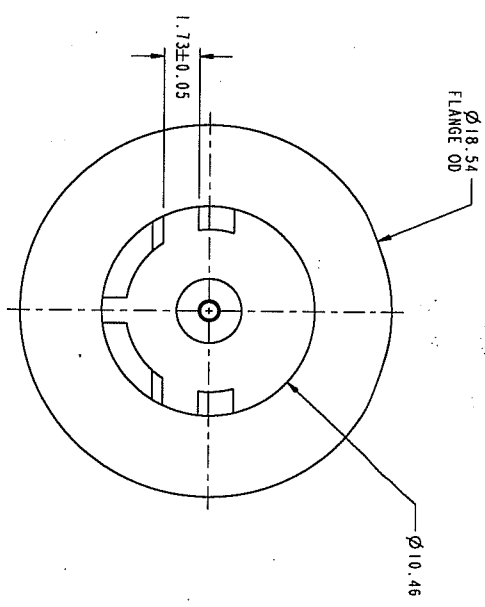
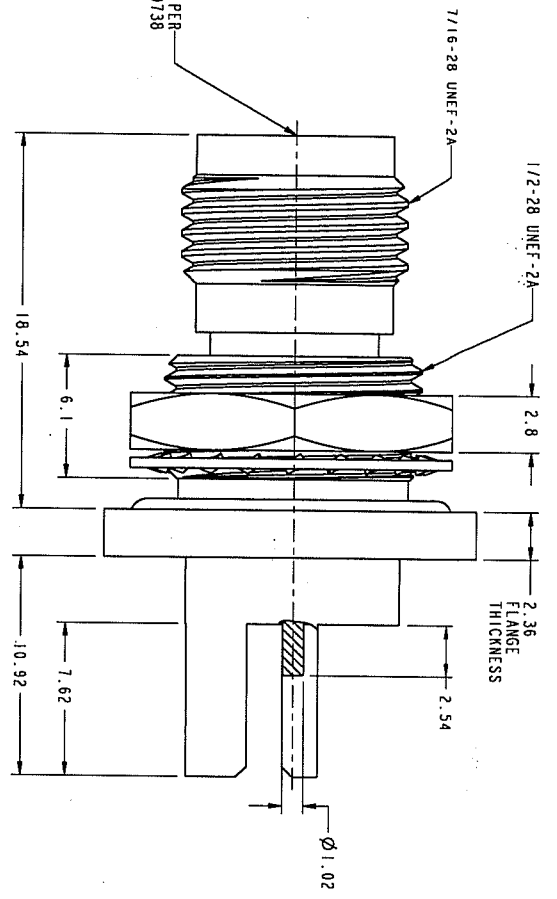
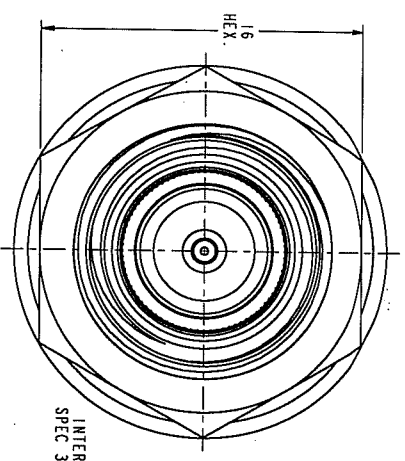


SCALE 2.000



RECOMMENDED
PANEL MOUNT DIMENSIONS

THIRD ANGLE PROJ.		REVISIONS		
REV	DESCRIPTION	DATE	ECO	APPR
A	RELEASE TO MFG.	27-Feb-07		EMILY



UNLESS OTHERWISE SPECIFIED, DIMENSIONS ARE IN METRIC AND TOLERANCES ARE:
0.5 - 6mm ±0.1mm
6 - 30mm ±0.2mm
30 - 120mm ±0.3mm
ANGLES ±1°

NOTICE - These drawings, specifications, or other data (1) are, and remain the property of Amphenol Corp. (2) must be returned upon request; and (3) are confidential and not to be disclosed to any person other than those to whom they are given by Amphenol Corp. The finishing of these drawings, specifications, or other data is the responsibility of the person to whom they are given. It is not to be reworked by modification or otherwise, in any way, for any purpose, its rights in being reworked by such holder or any other person or manufacturer, use or sale of any product, process or design, patented or otherwise, that may in any way be related to or disclosed by said drawings, specifications, or other data.

MATERIAL	DRAWN	DATE	TITLE	DRAWING NO. 31-6304
	ENGINEER	DATE	TNC REV. POLARITY BOARD MOUNT PLUG	ITEM NO. 31-6304
REFERENCE AND CONFIGURATION LEVEL:	APPROVED	DATE	SCALE: 4.0:1.0	SHEET 2 OF 2
FINISH	CAD FILE	DATE	DWG SIZE	CODE ID
	1: \TNC\31-6304	3/13/07	B	74868
			REV	A
			PART NO. 31-6304	

CUSTOMER OUTLINE DRAWING
ALL OTHER SHEETS ARE FOR INTERNAL USE ONLY

Amphenol RF
Danbury CT USA, Taiwan, Shenzhen, China
www.amphenolrf.com