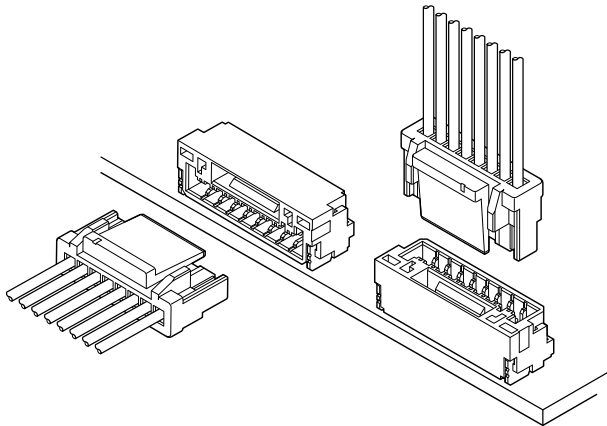


# GH CONNECTOR



1.25 mm pitch/Disconnectable Crimp style connectors



Developed for PDP, LCD or small electronics equipment.

This low insertion force type connector realizes easier mating operation. The basic concept of the contact part of this connector is equivalent to the performance proven SHL connector.

- Secure locking structure
- Contact lock structure
- Prevention of contact deformation
- Clear engagement click sounds

## Specifications

- Current rating: 1.0 A AC/DC (AWG #26)
- Voltage rating: 50 V AC/DC
- Temperature range: -25°C to +85°C  
(including temperature rise in applying electrical current)
- Contact resistance: Initial value/ 30 mΩ max.  
After environmental tests/ 50 mΩ max.
- Insulation resistance: 100 MΩ min.
- Withstanding voltage: 500 VAC/minute
- Applicable wire: Conductor size/ AWG #30 to #26  
Insulation O.D./ 0.76 to 1.0 mm

\* In using the products, refer to "Handling Precautions for Terminals and Connectors" described on our website (Technical documents of Product information page).

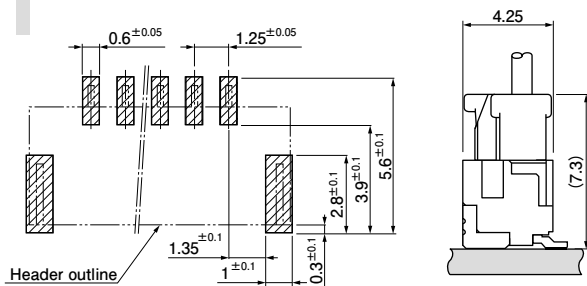
- \* RoHS2 compliance
- \* Dimensional unit: mm
- \* Contact JST for details.

## Standards

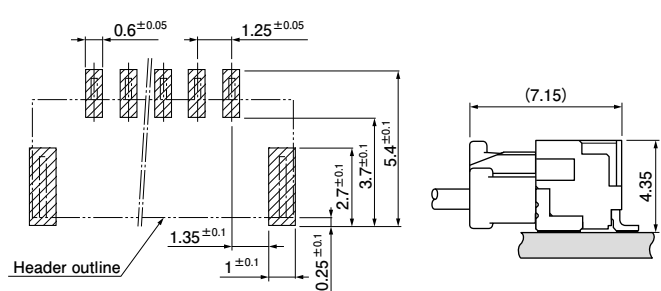
Recognized E60389

## PC board layout and Assembly layout

### Top entry type

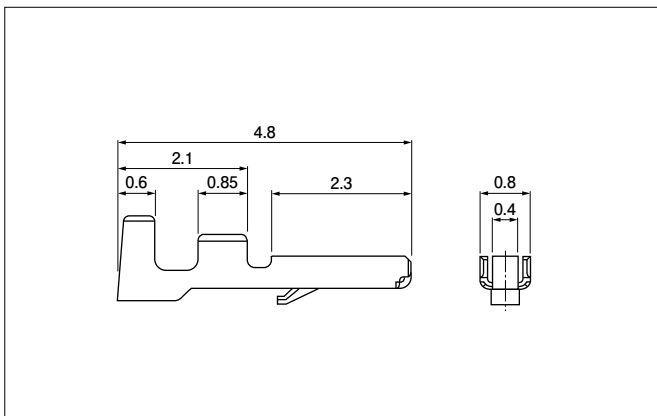


### Side entry type



- Note: 1. The above figure is the figure viewed from the connector mounting side.  
2. Tolerances are non-cumulative: ± 0.05 mm for all centers.  
3. The dimensions above should serve as a guideline. Contact JST for details.

## Contact



| Model No.      | Applicable wire |       | Insulation O.D.<br>(mm) | Q'ty/reel |
|----------------|-----------------|-------|-------------------------|-----------|
|                | mm <sup>2</sup> | AWG # |                         |           |
| SSHL-002T-P0.2 | 0.05~0.13       | 30~26 | 0.76~1.0                | 35,000    |

### Material and Finish

Phosphor bronze, tin-plated (reflow treatment)

### RoHS2 compliance

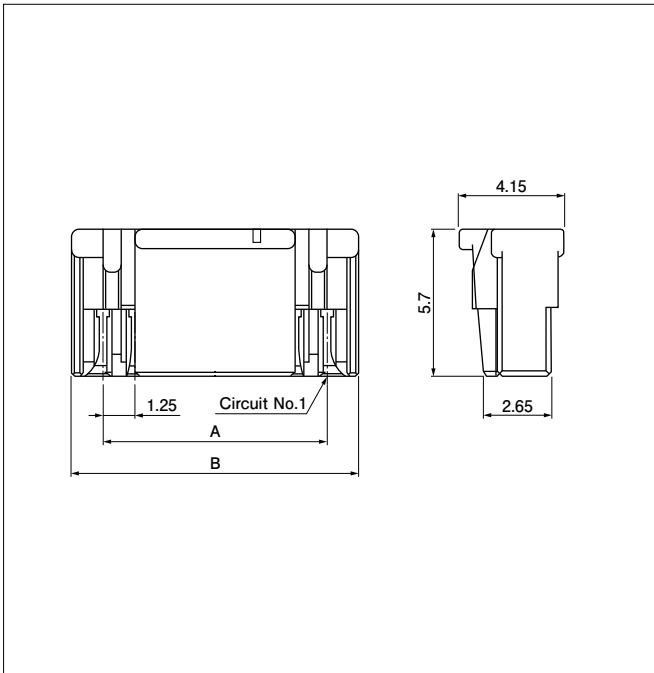
- Note: 1. Contact JST for gold-plated product.  
2. This contact can be applied only for the GH connector.  
SSHL-003( ) -P0.2 cannot be applied for the GH connector.

| Contact        | Crimping machine | Applicator       |                |                            |
|----------------|------------------|------------------|----------------|----------------------------|
|                |                  | Crimp applicator | Dies           | Crimp applicator with dies |
| SSHL-002T-P0.2 | AP-K2N           | MKS-L-10-3       | MK/SSHL-002-02 | APLMK SSSL002-02           |

Note: Contact JST for fully automatic crimping applicator.

# GH CONNECTOR

## Housing



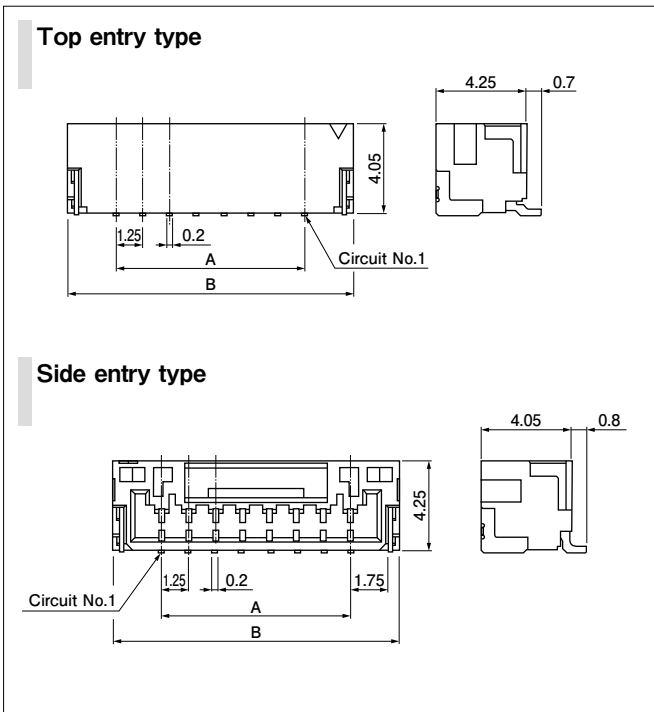
| No. of Circuits | Model No. | Dimensions (mm) |       | Q'ty/bag |
|-----------------|-----------|-----------------|-------|----------|
|                 |           | A               | B     |          |
| 2               | GHR-02V-S | 1.25            | 3.75  | 3,000    |
| 3               | GHR-03V-S | 2.50            | 5.00  | 3,000    |
| 4               | GHR-04V-S | 3.75            | 6.25  | 3,000    |
| 5               | GHR-05V-S | 5.00            | 7.50  | 3,000    |
| 6               | GHR-06V-S | 6.25            | 8.75  | 3,000    |
| 7               | GHR-07V-S | 7.50            | 10.00 | 3,000    |
| 8               | GHR-08V-S | 8.75            | 11.25 | 3,000    |
| 9               | GHR-09V-S | 10.00           | 12.50 | 3,000    |
| 10              | GHR-10V-S | 11.25           | 13.75 | 3,000    |
| 11              | GHR-11V-S | 12.50           | 15.00 | 3,000    |
| 12              | GHR-12V-S | 13.75           | 16.25 | 3,000    |
| 13              | GHR-13V-S | 15.00           | 17.50 | 3,000    |
| 14              | GHR-14V-S | 16.25           | 18.75 | 3,000    |
| 15              | GHR-15V-S | 17.50           | 20.00 | 3,000    |

### Material and Finish

PBT, UL94V-0, natural (white)

RoHS2 compliance

## Header



| No. of circuits | Model No.      |                 | Dimensions (mm) |       | Q'ty/reel |
|-----------------|----------------|-----------------|-----------------|-------|-----------|
|                 | Top entry type | Side entry type | A               | B     |           |
| 2               | BM02B-GHS-TBT  | SM02B-GHS-TB    | 1.25            | 5.75  | 2,500     |
| 3               | BM03B-GHS-TBT  | SM03B-GHS-TB    | 2.50            | 7.00  | 2,500     |
| 4               | BM04B-GHS-TBT  | SM04B-GHS-TB    | 3.75            | 8.25  | 2,500     |
| 5               | BM05B-GHS-TBT  | SM05B-GHS-TB    | 5.00            | 9.50  | 2,500     |
| 6               | BM06B-GHS-TBT  | SM06B-GHS-TB    | 6.25            | 10.75 | 2,500     |
| 7               | BM07B-GHS-TBT  | SM07B-GHS-TB    | 7.50            | 12.00 | 2,500     |
| 8               | BM08B-GHS-TBT  | SM08B-GHS-TB    | 8.75            | 13.25 | 2,500     |
| 9               | BM09B-GHS-TBT  | SM09B-GHS-TB    | 10.00           | 14.50 | 2,500     |
| 10              | BM10B-GHS-TBT  | SM10B-GHS-TB    | 11.25           | 15.75 | 2,500     |
| 11              | BM11B-GHS-TBT  | SM11B-GHS-TB    | 12.50           | 17.00 | 2,500     |
| 12              | BM12B-GHS-TBT  | SM12B-GHS-TB    | 13.75           | 18.25 | 2,500     |
| 13              | BM13B-GHS-TBT  | SM13B-GHS-TB    | 15.00           | 19.50 | 2,500     |
| 14              | BM14B-GHS-TBT  | SM14B-GHS-TB    | 16.25           | 20.75 | 2,500     |
| 15              | BM15B-GHS-TBT  | SM15B-GHS-TB    | 17.50           | 22.00 | 2,500     |

### Material and Finish

Contact: Phosphor bronze, copper-undercoated, tin-plated (reflow treatment)

Housing: PA 9T, UL94V-0, natural (ivory)

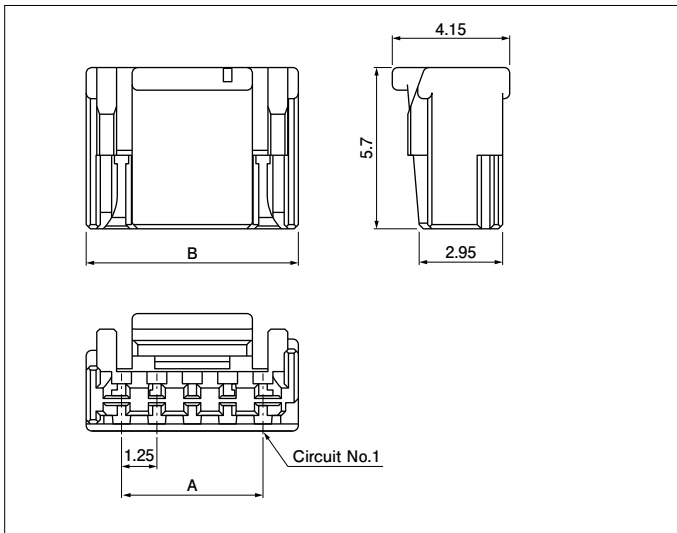
Reinforcement: Brass, copper-undercoated, tin-plated

RoHS2 compliance This product displays (LF)(SN) on a label.

Note: Contact JST for gold-plated product.

# GH CONNECTOR

## Housing (Keying pattern A)



| No. of circuits | Model No.  | Dimensions (mm) |      | Q'ty/bag |
|-----------------|------------|-----------------|------|----------|
|                 |            | A               | B    |          |
| 2               | GHR-02V-2P | 1.25            | 3.75 | 3,000    |
| 4               | GHR-04V-2P | 3.75            | 6.25 | 3,000    |
| 5               | GHR-05V-2P | 5.00            | 7.50 | 3,000    |

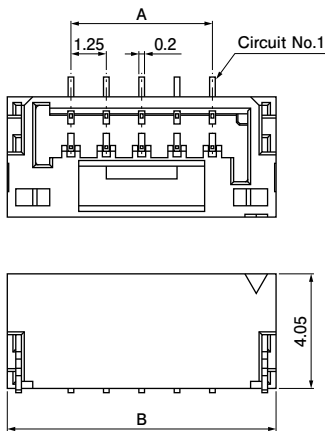
### Material and Finish

PBT, UL94V-0, purple

RoHS2 compliance

## Header (Keying pattern A)

### Top entry type



| No. of circuits | Model No.       |                 | Dimensions (mm) |      | Q'ty/reel |
|-----------------|-----------------|-----------------|-----------------|------|-----------|
|                 | Top entry type  | Side entry type | A               | B    |           |
| 2               | BM02B-GHP-A-TBT | SM02B-GHP-A-TB  | 1.25            | 5.75 | 2,500     |
| 4               | BM04B-GHP-A-TBT | SM04B-GHP-A-TB  | 3.75            | 8.25 | 2,500     |
| 5               | BM05B-GHP-A-TBT | SM05B-GHP-A-TB  | 5.00            | 9.50 | 2,500     |

### Material and Finish

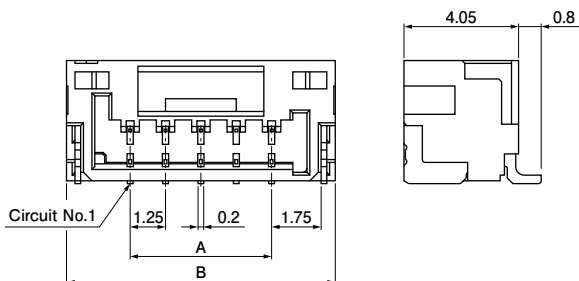
Contact: Phosphor bronze, copper-undercoated, tin-plated (reflow treatment)

Housing: PA 9T, UL94V-0, purple

Reinforcement: Brass, copper-undercoated, tin-plated

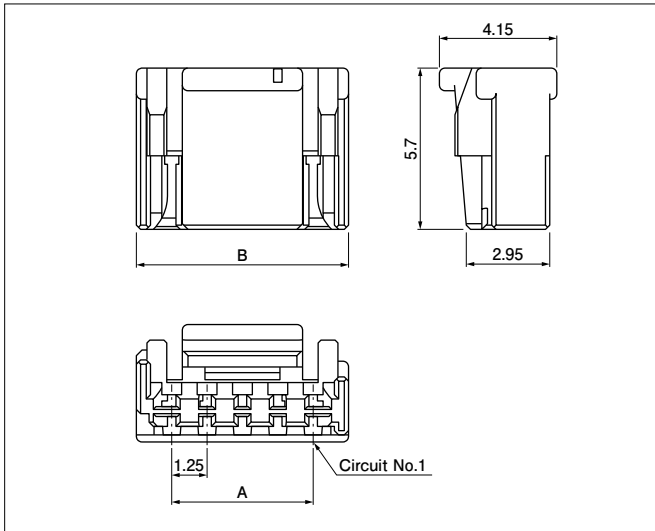
RoHS2 compliance This product displays (LF)(SN) on a label.

### Side entry type



# GH CONNECTOR

## Housing (Keying pattern B)

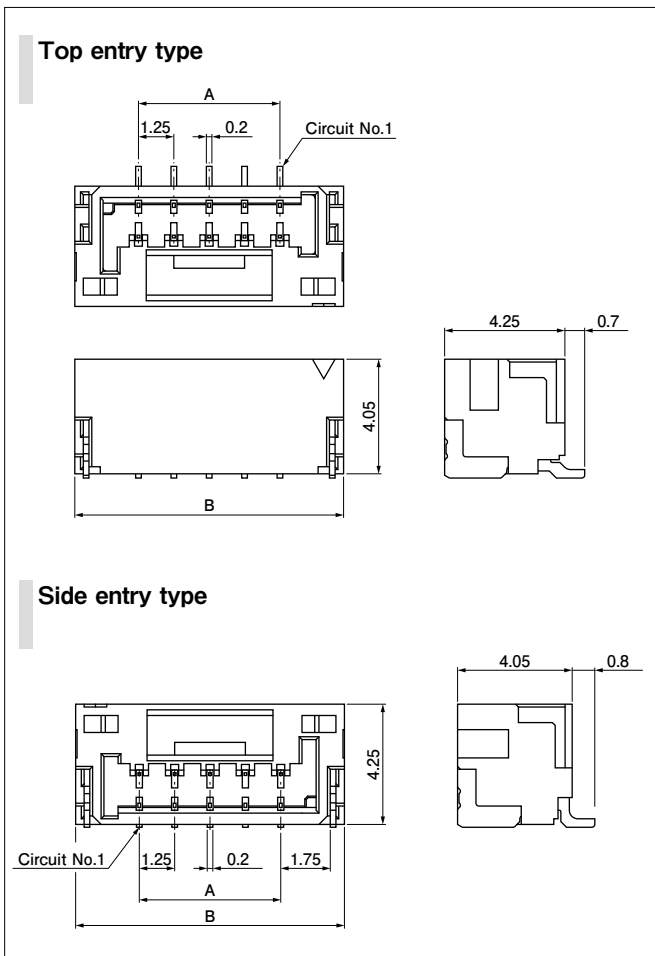


| No. of circuits | Model No.   | Dimensions (mm) |      | Q'ty/bag |
|-----------------|-------------|-----------------|------|----------|
|                 |             | A               | B    |          |
| 2               | GHR-02V-3HD | 1.25            | 3.75 | 3,000    |
| 4               | GHR-04V-3HD | 3.75            | 6.25 | 3,000    |
| 5               | GHR-05V-3HD | 5.00            | 7.50 | 3,000    |

**Material and Finish**  
PBT, UL94V-0, dark gray

RoHS2 compliance

## Header (Keying pattern B)



| No. of circuits | Model No.        |                 | Dimensions (mm) |      | Q'ty/reel |
|-----------------|------------------|-----------------|-----------------|------|-----------|
|                 | Top entry type   | Side entry type | A               | B    |           |
| 2               | BM02B-GHHD-B-TBT | SM02B-GHHD-B-TB | 1.25            | 5.75 | 2,500     |
| 4               | BM04B-GHHD-B-TBT | SM04B-GHHD-B-TB | 3.75            | 8.25 | 2,500     |
| 5               | BM05B-GHHD-B-TBT | SM05B-GHHD-B-TB | 5.00            | 9.50 | 2,500     |

**Material and Finish**

Contact: Phosphor bronze, copper-undercoated, tin-plated (reflow treatment)  
Housing: PA 9T, UL94V-0, dark gray  
Reinforcement: Brass, copper-undercoated, tin-plated

RoHS2 compliance This product displays (LF)(SN) on a label.  
Note: Contact JST for gold-plated products.

# GH CONNECTOR

## Model number allocation

### Contact

**S SHL - 002 T - P 0.2**

Form: S...Strip form

Series name

Applicable wire range: 002...AWG #30 to #26

Surface finish: T...Tin-plated (reflow treatment)  
GA1...Selective gold-plated

Material: P...Phosphor bronze

Terminal size

### Housing

**GH R - 04 V - S**

Series name

Part name: Receptacle

No. of circuits: 2 to 15

Flammability: V...UL94V-0

Color: S...Natural (White), LE...Light blue, TR...Tomato red,  
K...Black, E...Blue, O...Orange, L...Lemon yellow,  
MG...Moss green, DPK...Dark pink, DP...Dark purple

### Header

**BM 04 B-GH S- -TBT**

Shape of assembled product:  
BM...SMT Top entry type  
SM...SMT Side entry type

No. of circuits: 2 to 15

Part name: Header

Series name

Color: S...Natural (Ivory), LE...Light blue, TR...Tomato red,  
K...Black, E...Blue, O...Orange, L...Lemon yellow,  
MG...Moss green, DPK...Dark pink, DP...Dark purple

Surface finish:  
None...Copper-undercoated, tin-plated (reflow treatment)  
GB...Mating part: Nickel-undercoated, gold-plated  
Lead part: Nickel-undercoated, tin-plated (reflow treatment)

Packaging style: TB...Embossed-taping

Suction tape: None...Without suction tape, T...With suction tape

### Housing (With keying)

**GH R - 04 V - 2 P**

Series name

Part name: Receptacle

No. of circuits: 2, 4, 5

Flammability: V...UL94V-0

Indication of shape change: 2...Keying pattern A  
3...Keying pattern B

Color: P...Purple (Keying pattern A)  
HD...Dark gray (Keying pattern B)

### Header (With keying)

**BM 04 B-GH P- A-TBT**

Shape of assembled product:  
BM...SMT Top entry type  
SM...SMT Side entry type

No. of circuits: 2, 4, 5

Part name: Header

Series name

Color: P...Purple (Keying pattern A)  
HD...Dark gray (Keying pattern B)

Indication of shape change: A...Keying pattern A  
B...Keying pattern B

Packaging style: TB...Embossed-taping

Suction tape: None...Without suction tape, T...With suction tape