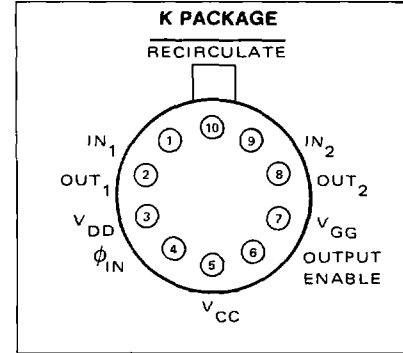
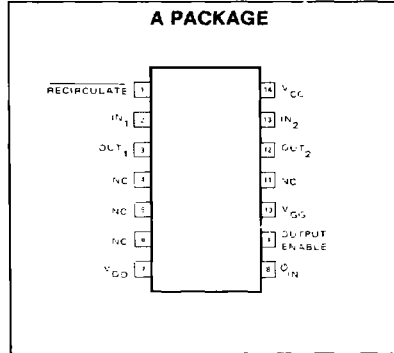


DESCRIPTION

The 2509 50-bit recirculating static shift register consists of enhancement mode P-channel silicon gate MOS devices integrated on a single monolithic chip. Internal recirculation logic plus TTL/DTL level clock signals plus tri-state outputs are provided for maximum interfacing ease.

PIN CONFIGURATION



SWITCHING CHARACTERISTICS

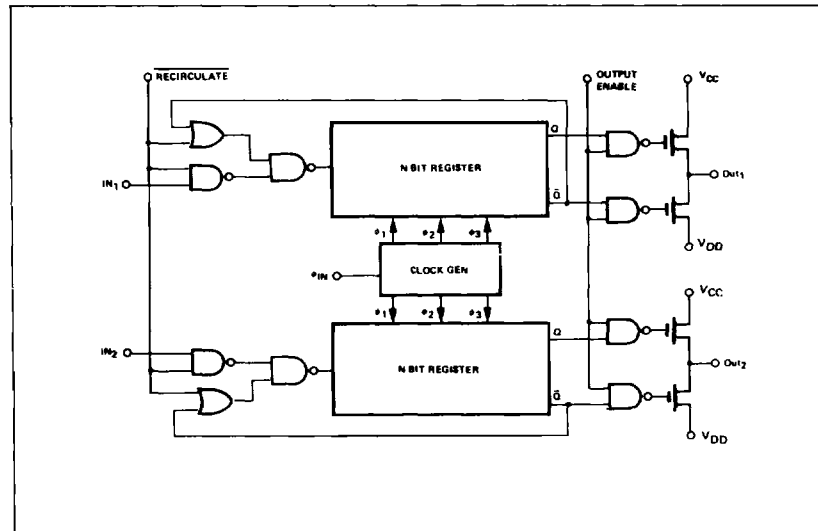
PARAMETER	LIMITS		UNIT
	MIN	MAX	
t _{DE} Disconnect		300	

TRUTH TABLE

RECIRCULATE	INPUT	FUNCTION
0	0	Recirculate
0	1	Recirculate
1	0	"0" is Written
1	1	"1" is Written

NOTE: "0" = OV; "1" = +5V.

BLOCK DIAGRAM



NOTES.

1. If output enable = "0", output is "off".
2. If output enable = "1", see Truth Table.

MEMORIES

TIMING DIAGRAM

